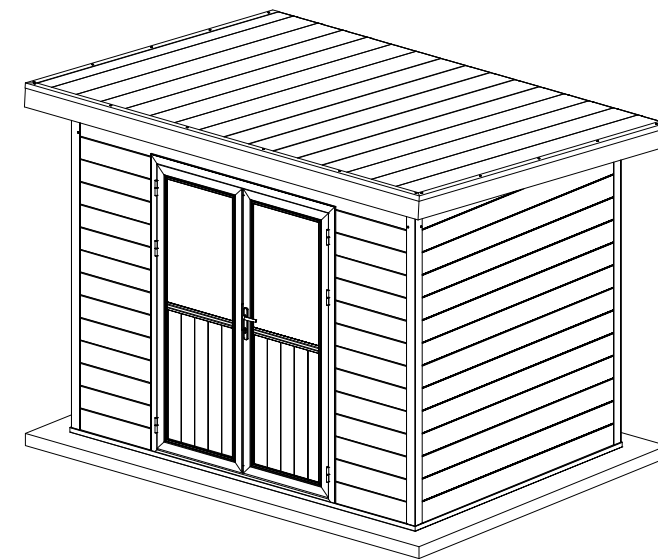
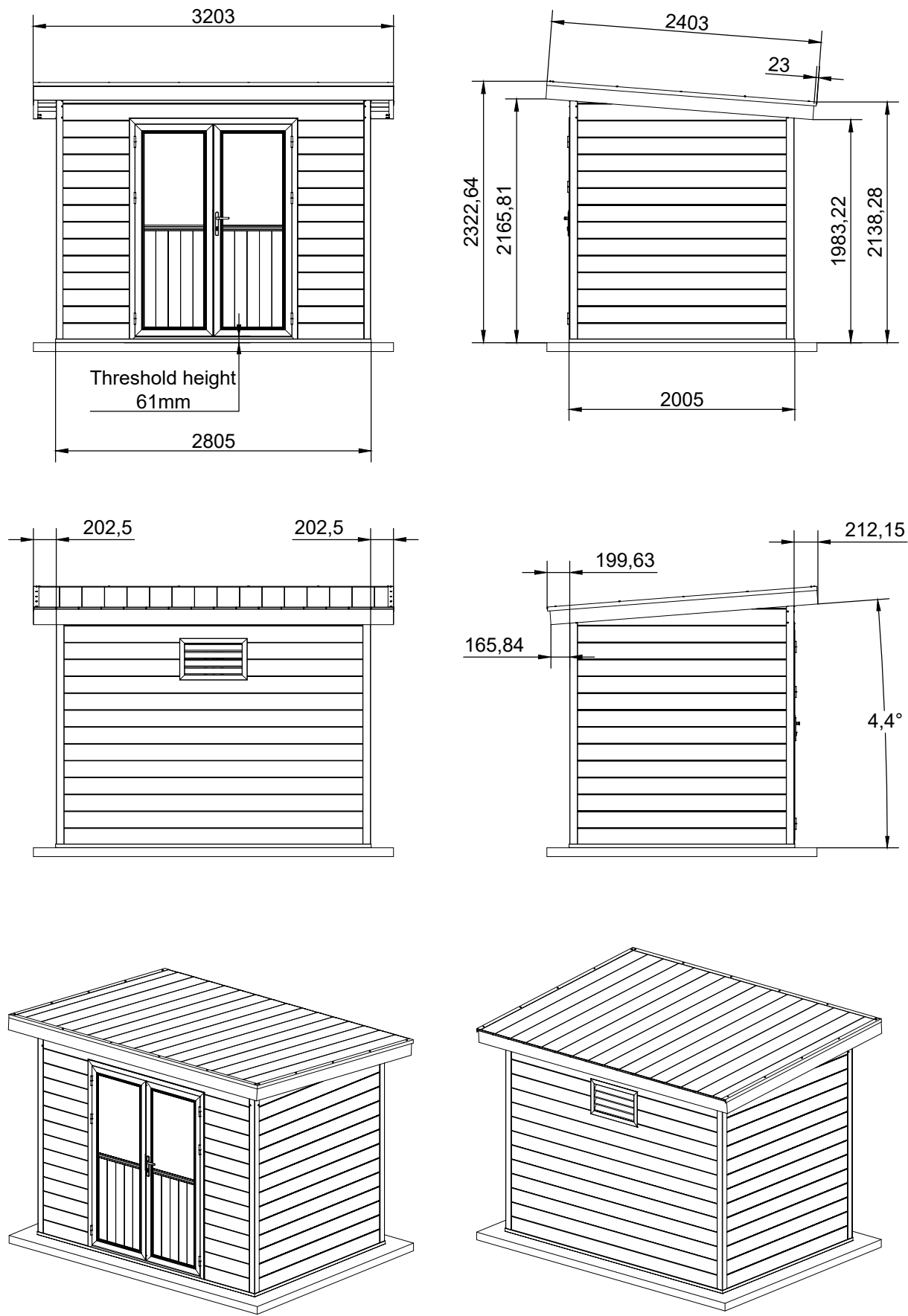


# **WPC GARDEN SHEDS INSTALLATION MANUAL FOR H004-B**

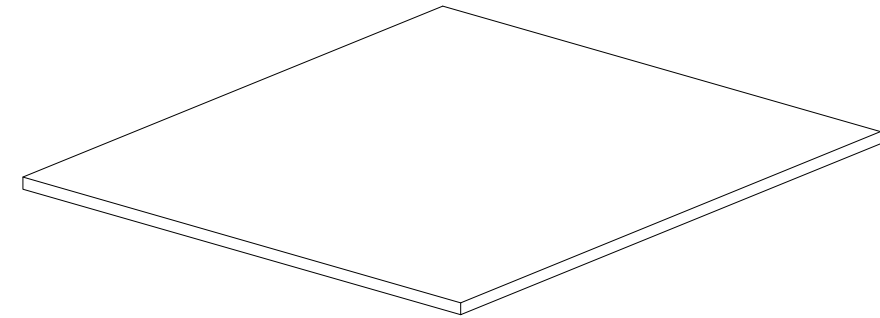


**APPEARANCE & SIZE :**

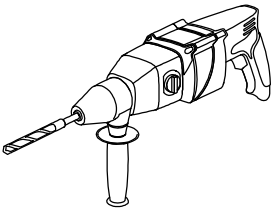
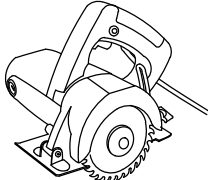
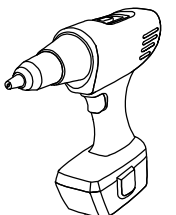
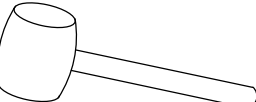
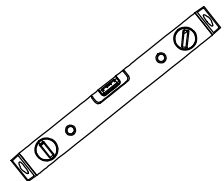
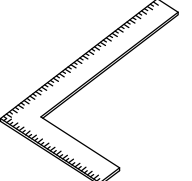
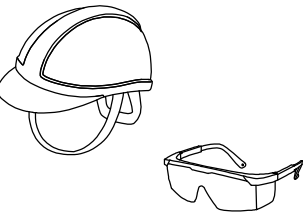
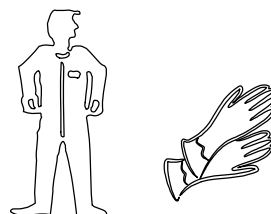
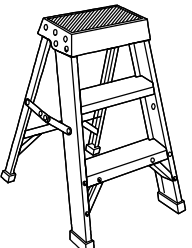


**Installation Requirement :**

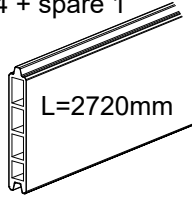
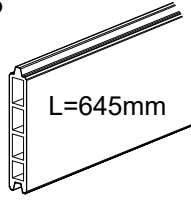
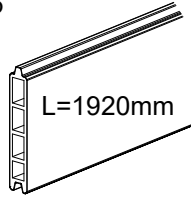
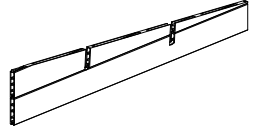
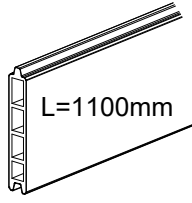
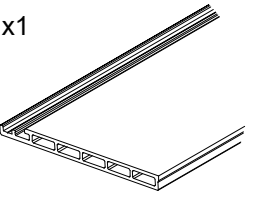
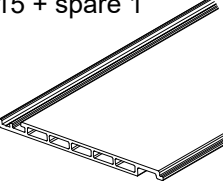
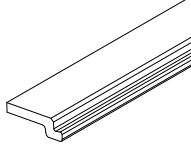
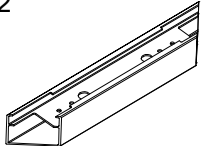
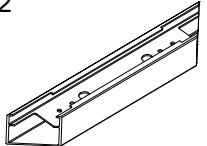
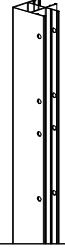
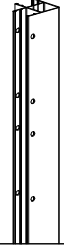


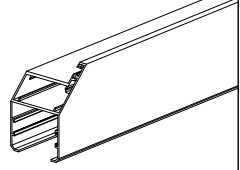
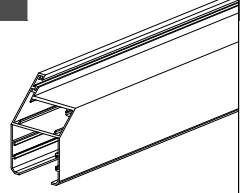
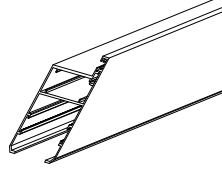
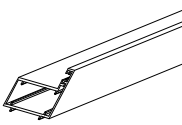
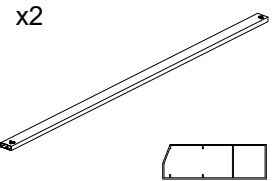
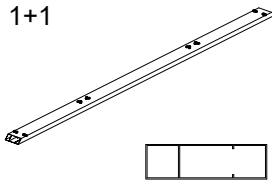
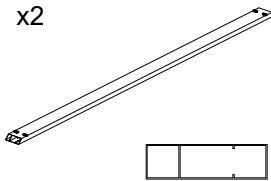
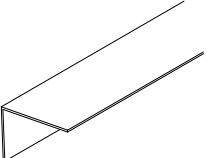
When do the assembling of a garden shed, a hard and flat ground without slope is needed. Please also make sure that the installation site has a good ventilation and drainage condition.



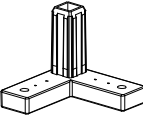
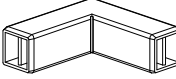
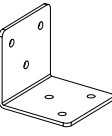
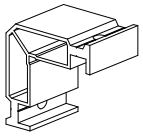
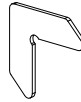
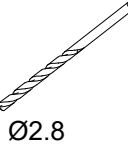
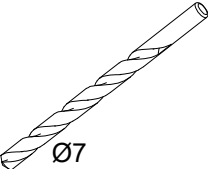
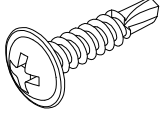
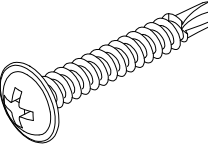
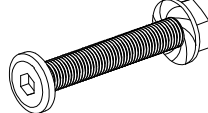
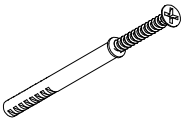

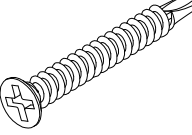
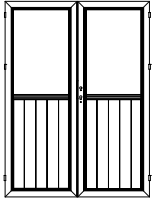
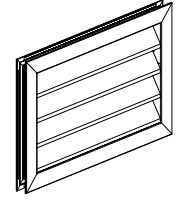
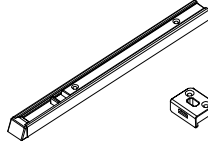
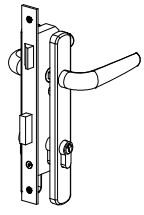
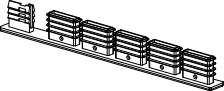
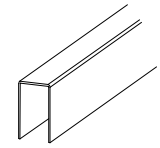
When dealing with any type of construction project, it is necessary to wear appropriate safety equipment to avoid any risk of injuries. We recommend but not only limited to the following safety equipment when handling, cutting, and installation : gloves, eye protector, respirator, long sleeves and pants.

<p>Impact electric drill</p> 	<p>Cutting machine</p> 	<p>Electric screwdriver</p> 
<p>Tape &amp; Hammer</p> 	<p>Levelling Instrument</p> 	<p>L-square</p> 
<p>Safety helmet &amp; Goggles</p> 	<p>Work clothes, gloves &amp; protective shoes</p> 	<p>Ladder</p> 

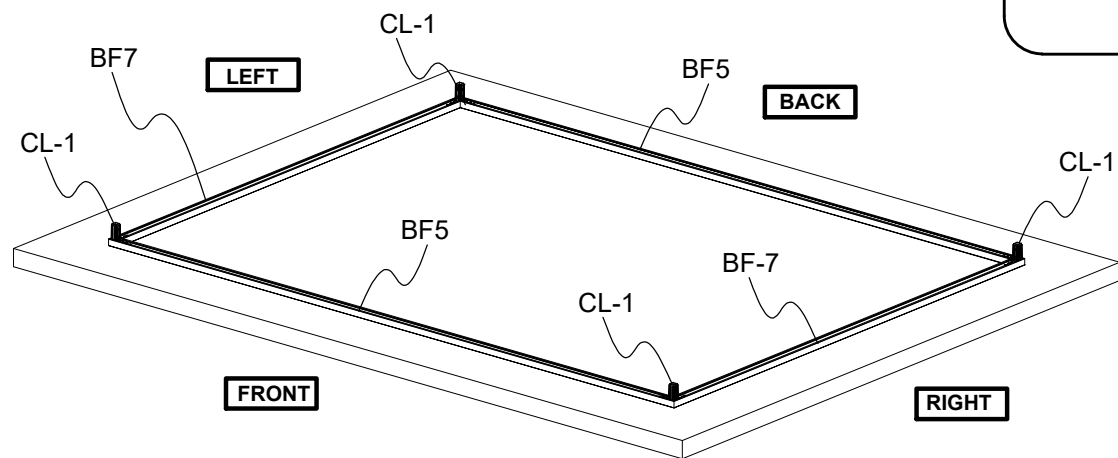
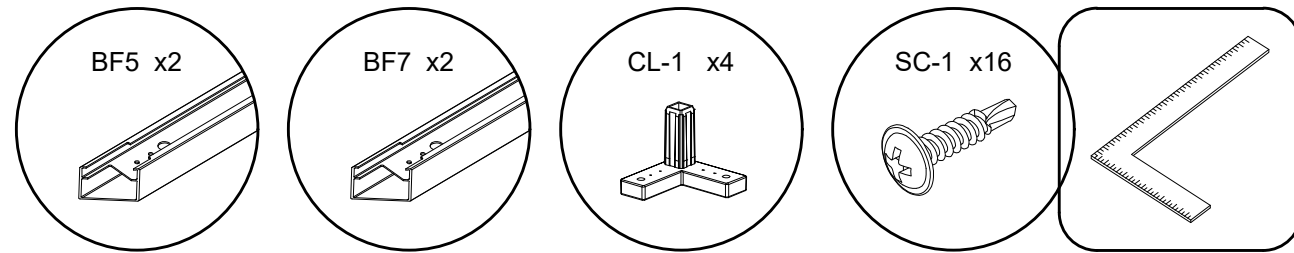
List of components

<b>WP11</b> x14 + spare 1  L=2720mm	<b>WP12</b> x26  L=645mm	<b>WP36</b> x26  L=1920mm	<b>WP39</b> x2  L=1920mm
<b>WP69</b> x4  L=1100mm	<b>TP13</b> x1  L=2400mm	<b>TP14</b> x15 + spare 1  L=2400mm	<b>TP15</b> x1  L=2400mm
<b>BF5</b> x2  L=2805mm	<b>BF7</b> x2  L=2005mm		
<b>MF6</b> x1 	<b>MF7</b> x1 	<b>MF8</b> x1 	<b>MF9</b> x1 
<b>DF1</b> x1  L=1965mm	<b>DF2</b> x1  L=1965mm	<b>DF3</b> x1  L=1500mm	<b>DF4</b> x1  L=1430mm
<b>TF9</b> x2  L=3120mm	<b>TF37a,TF37b</b> 1+1  L=2380mm	<b>TF11</b> x2  L=3200mm	<b>TF91</b> x3 

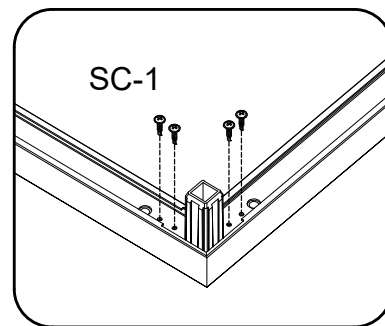
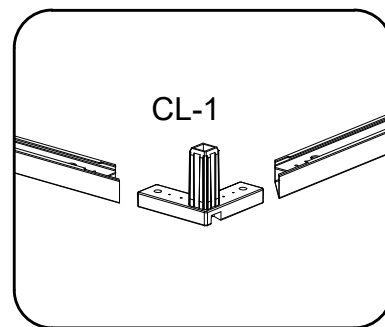
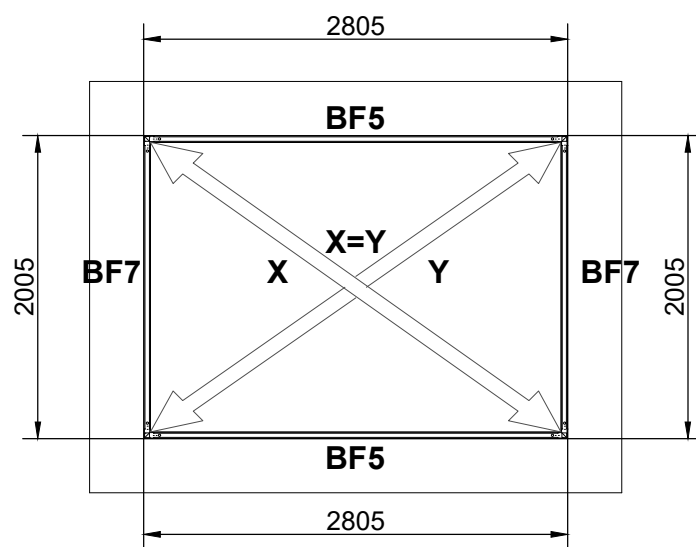
List of components

<b>CL-1</b> x4 	<b>CL-3</b> x8 	<b>CL-4</b> x16 + spare 2 	<b>CL-8</b> x4 
<b>CL-9</b> x4 + spare 2 	<b>Drill 1</b> x1  Ø2.8	<b>Drill 2</b> x1  Ø7	
<b>SC-1</b> x292 + spare 108  M4.2x19mm	<b>SC-2</b> x16 + spare 6  M4.2x30mm	<b>SC-4</b> x24 + spare 4  M6x40mm	<b>SC-5</b> x8 + spare 1  Ø8x80mm
<b>SC-7</b> x8 + spare 2  M6	<b>SC-8</b> x8 + spare 2  M4.2x30mm		
<b>DP-6</b> x1 	<b>WD5</b> x1 	<b>SU-2</b> x2 	<b>SU-6</b> x1  8530
<b>Other Spare parts</b> x5 	<b>UC-004</b> 	UC004-1 554mm x2 UC004-2 658mm x2 UC004-3 558mm x2	

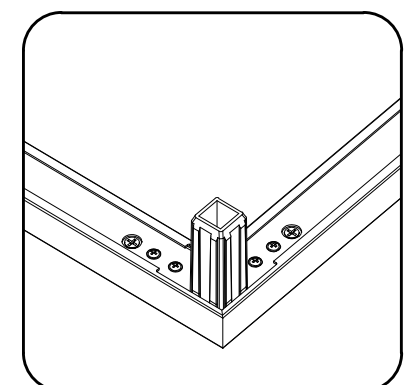
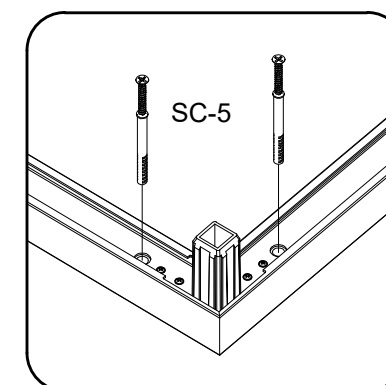
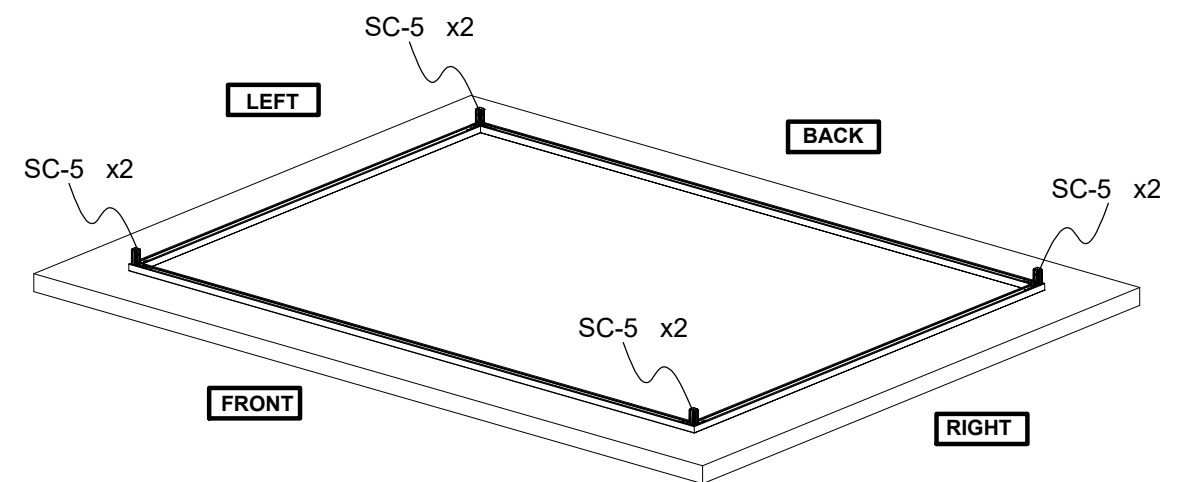
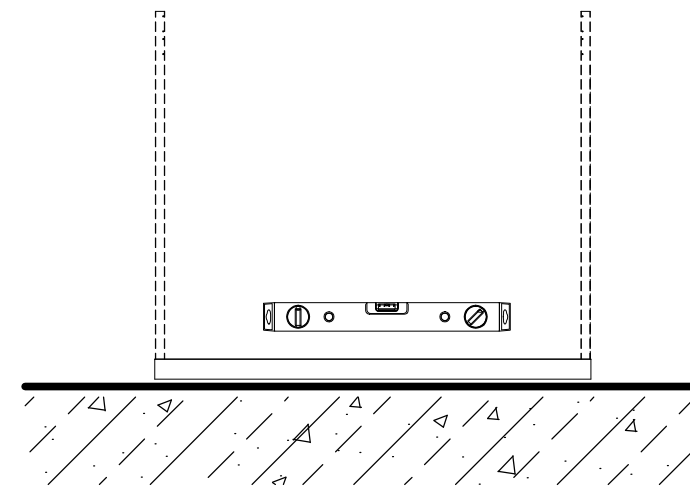
**STEP 1 :**



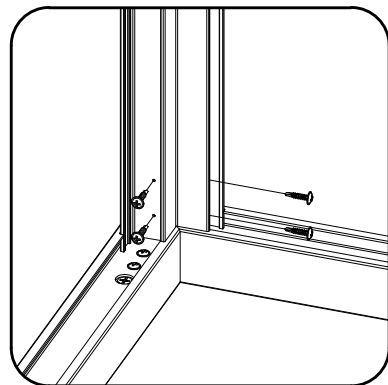
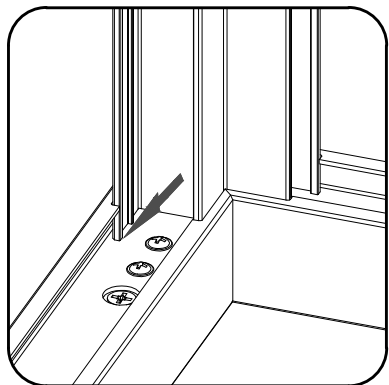
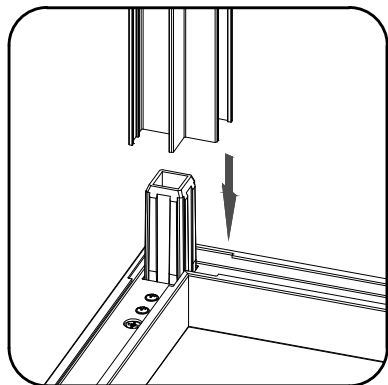
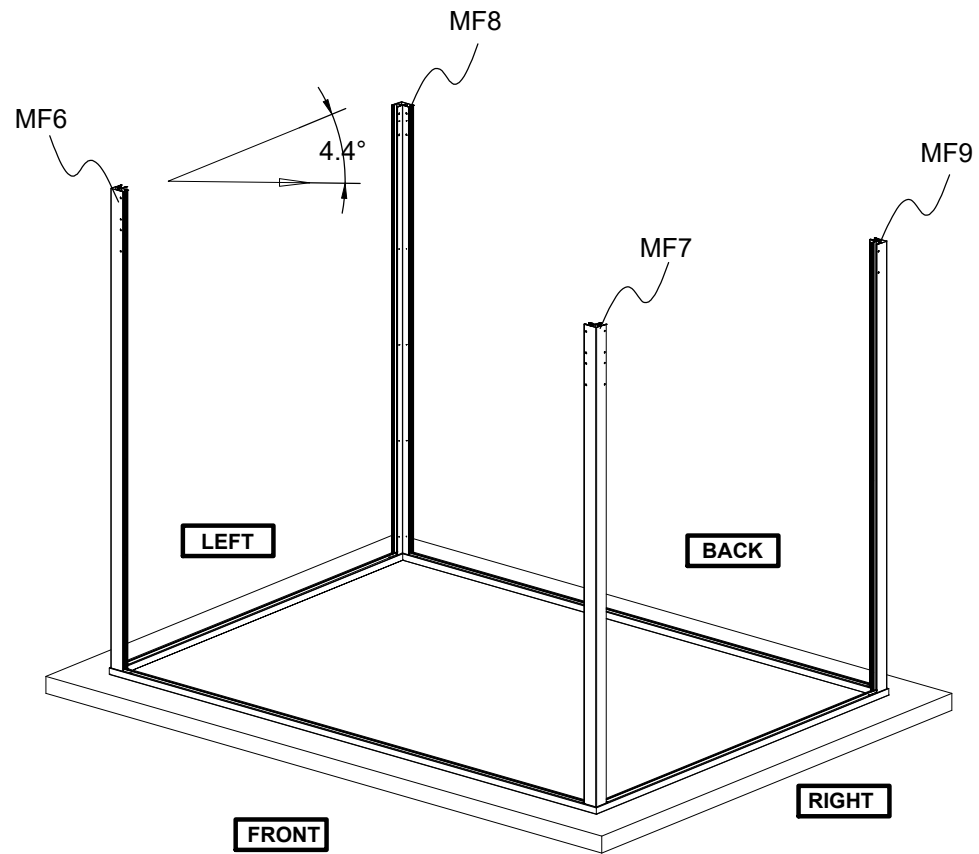
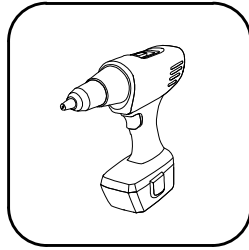
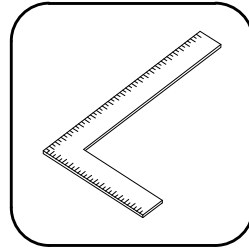
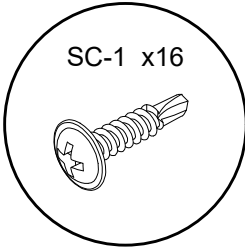
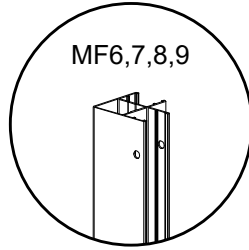
Dimension:



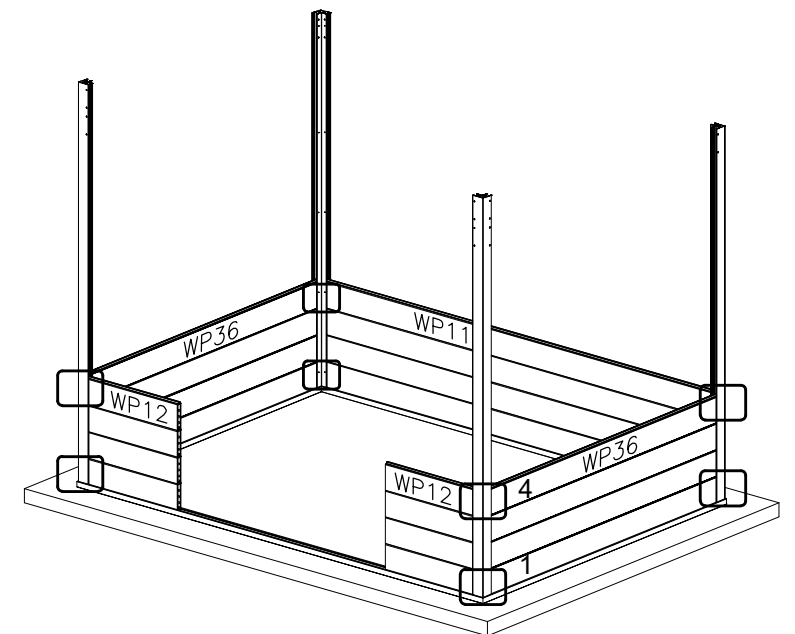
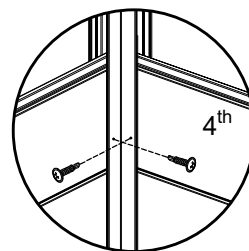
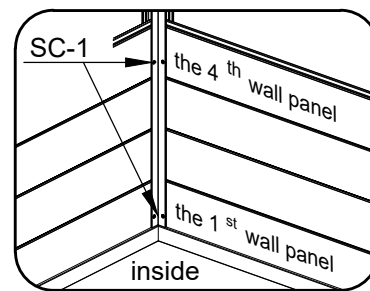
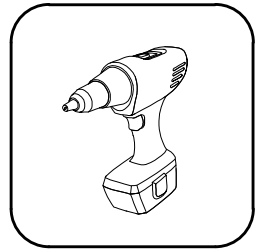
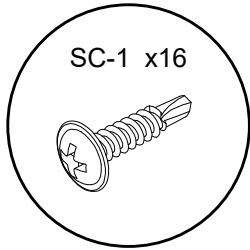
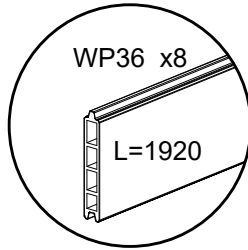
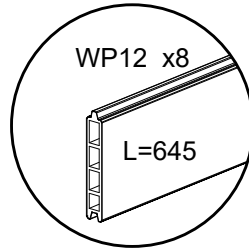
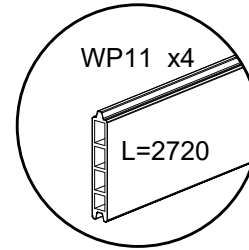
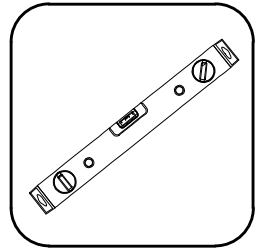
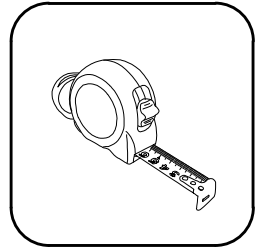
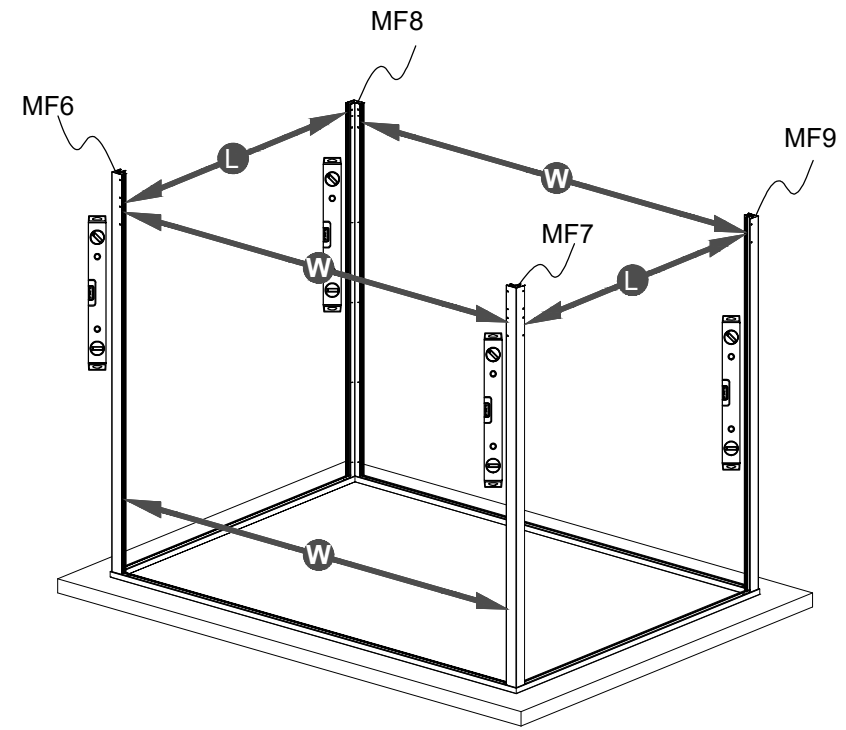
**STEP 2 : Expansion screws**



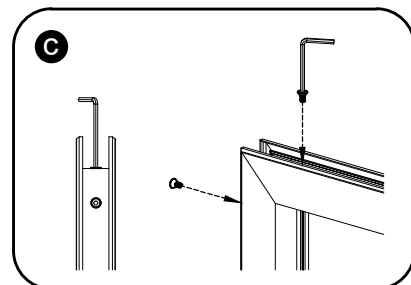
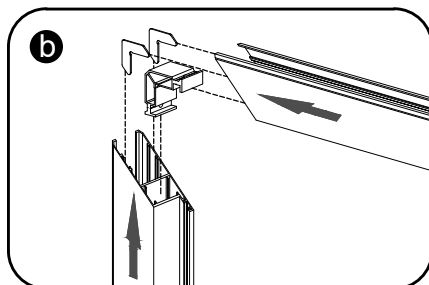
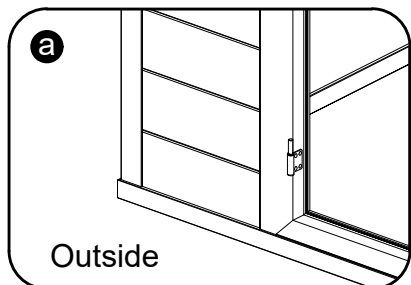
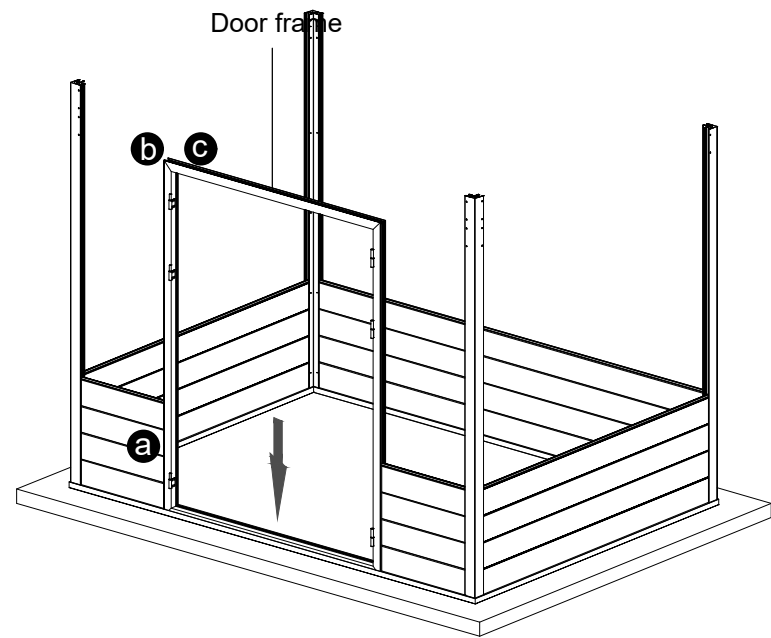
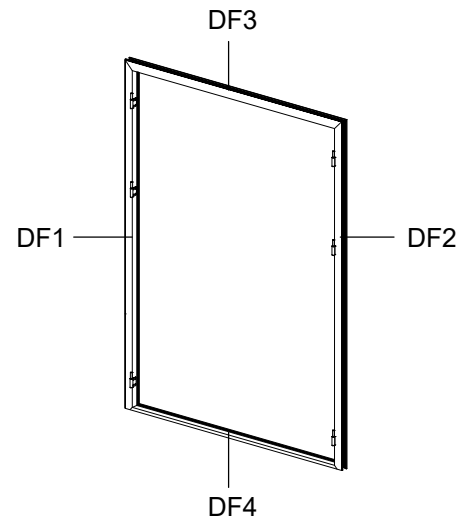
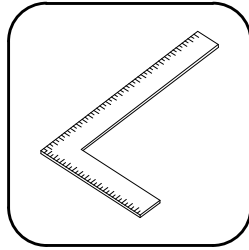
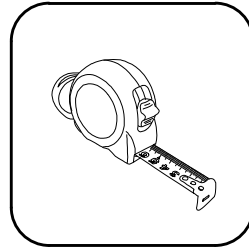
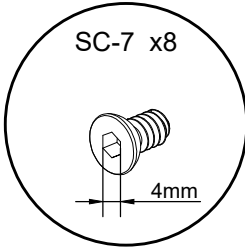
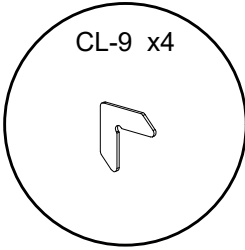
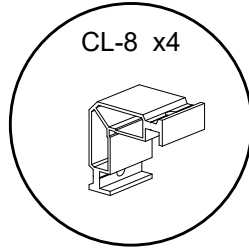
STEP 3 :



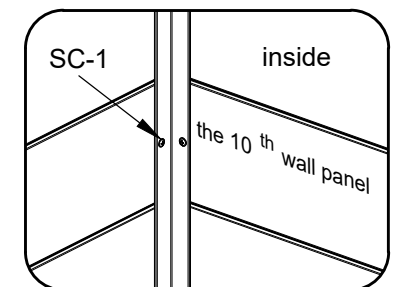
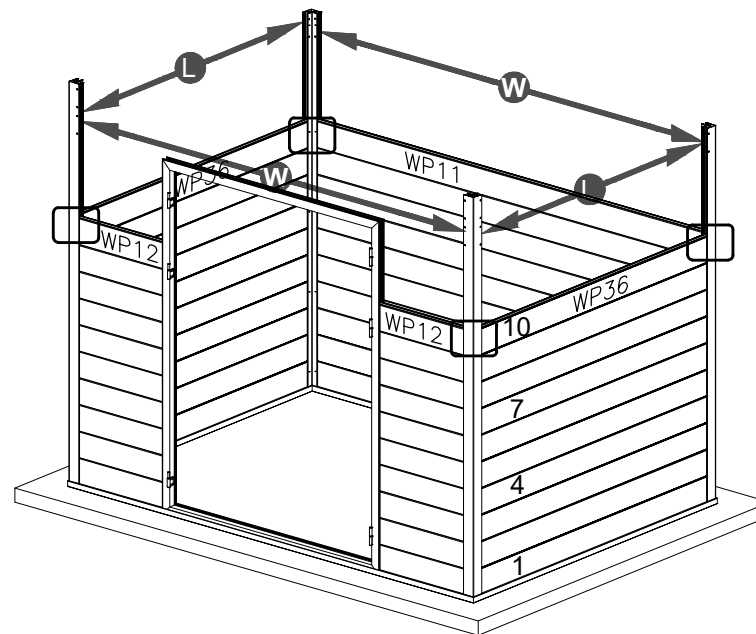
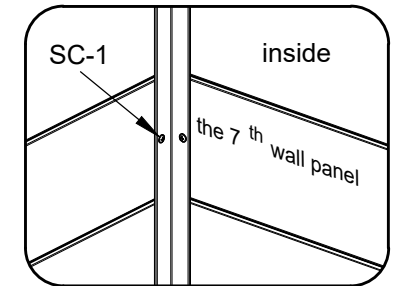
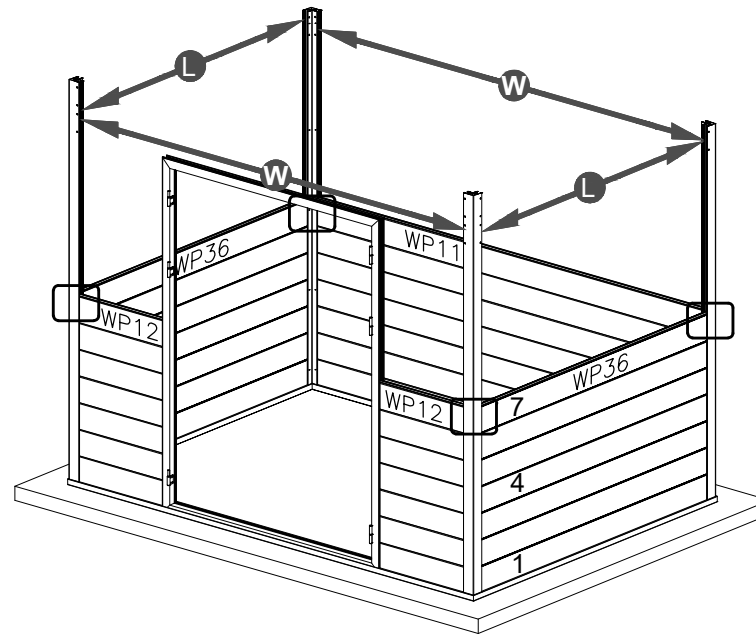
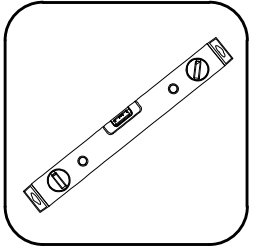
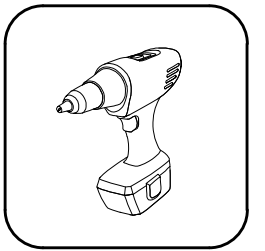
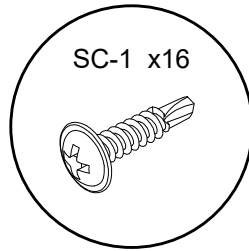
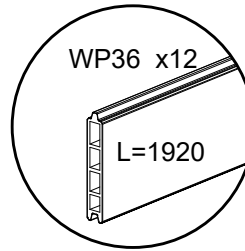
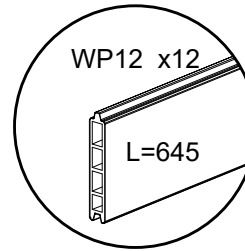
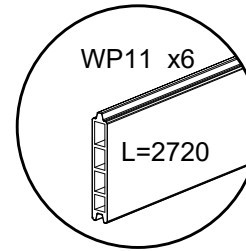
STEP 4 :



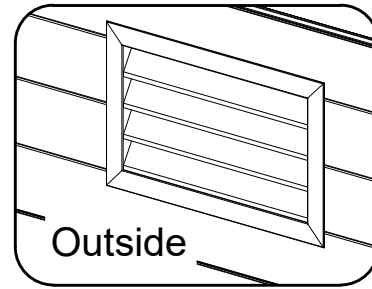
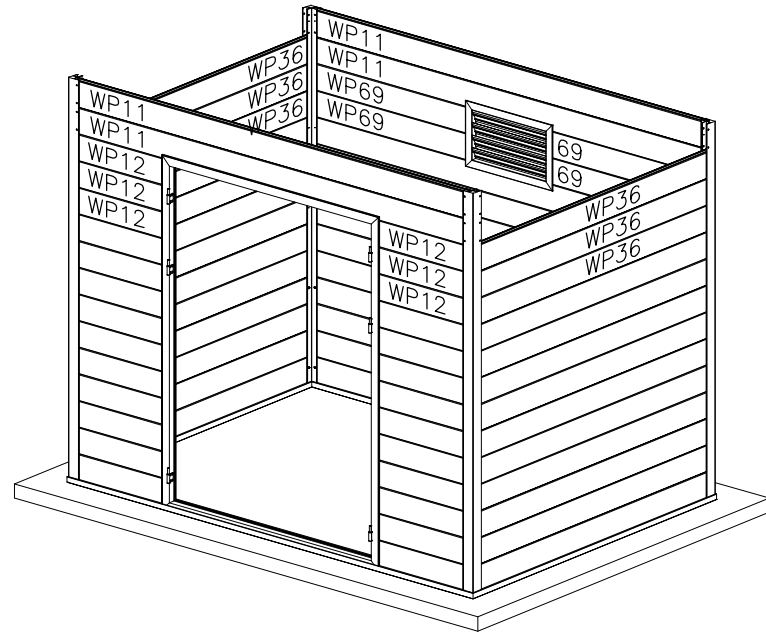
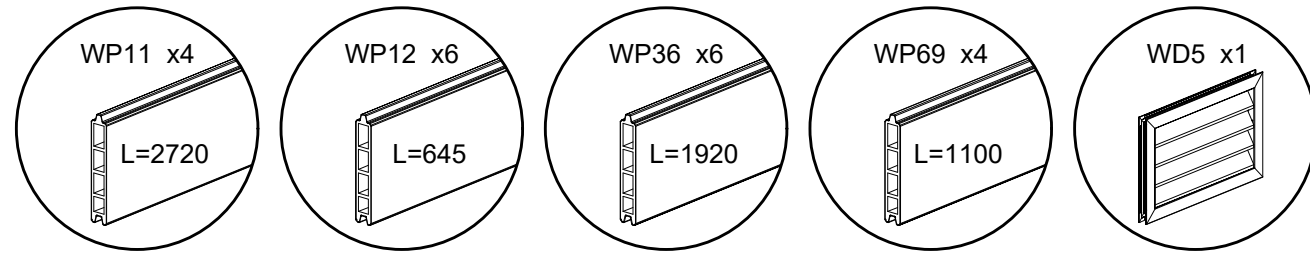
STEP 5 :



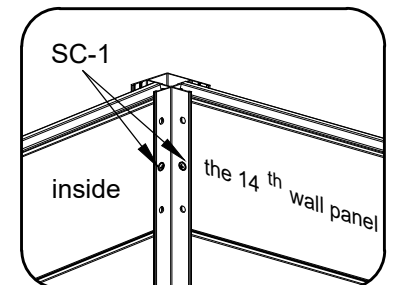
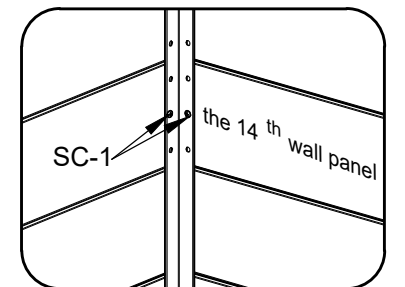
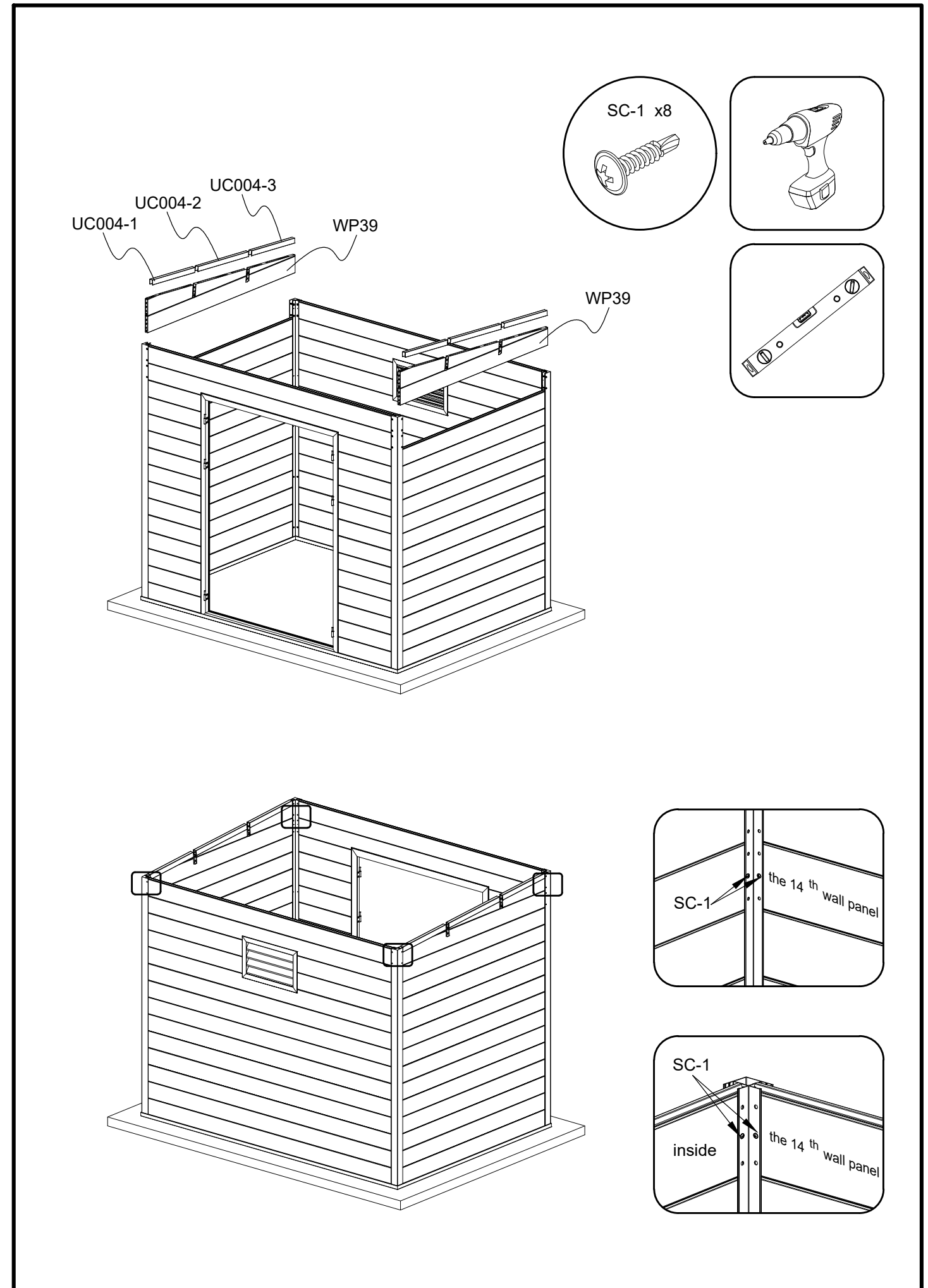
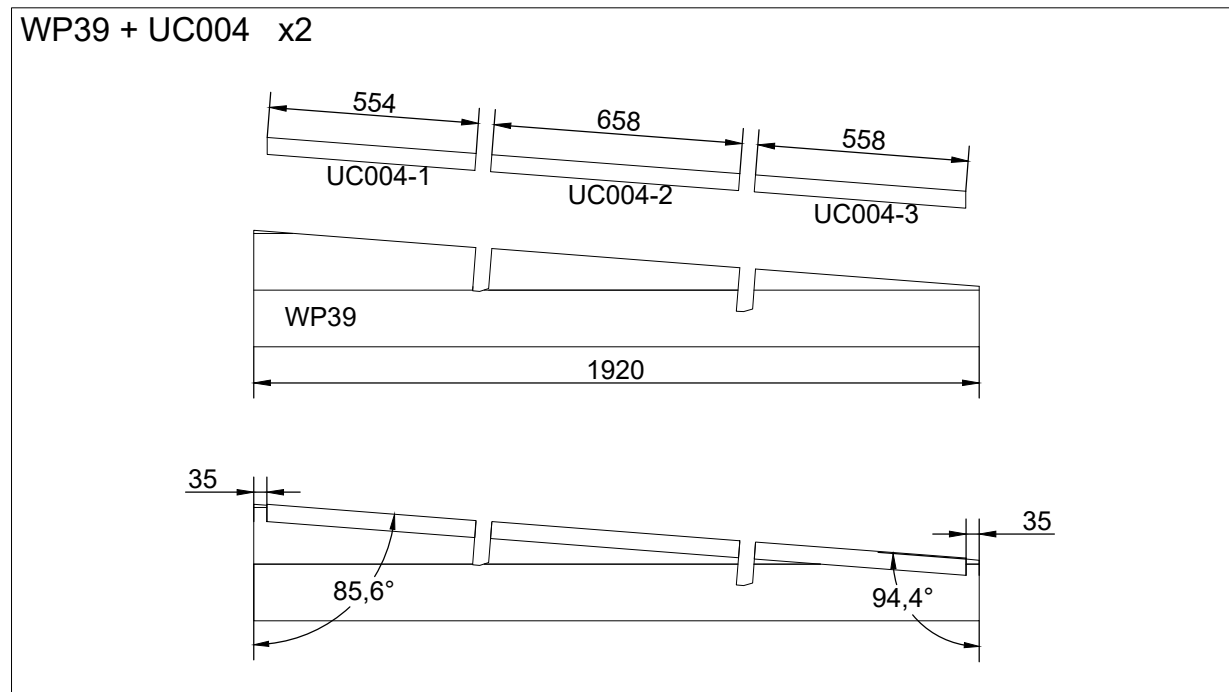
STEP 6 :



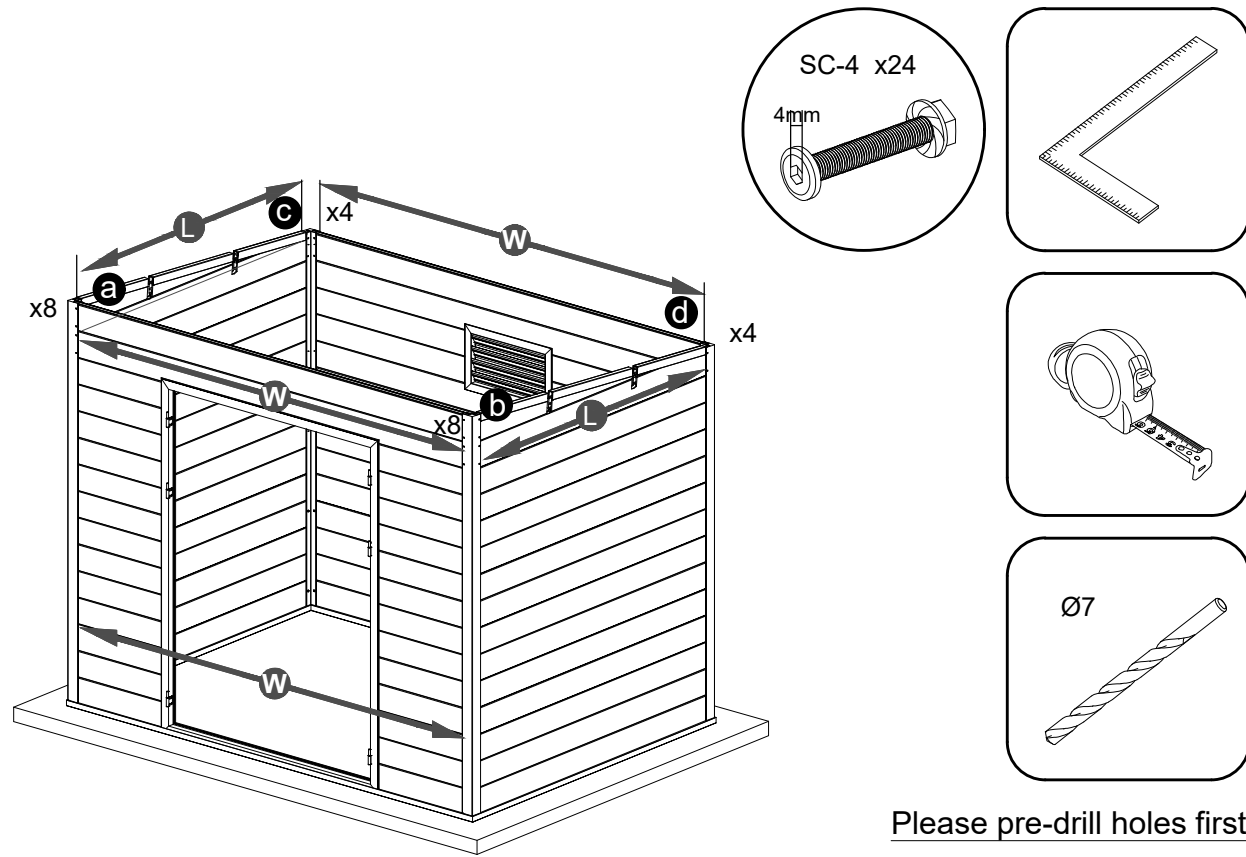
**STEP 7 :**



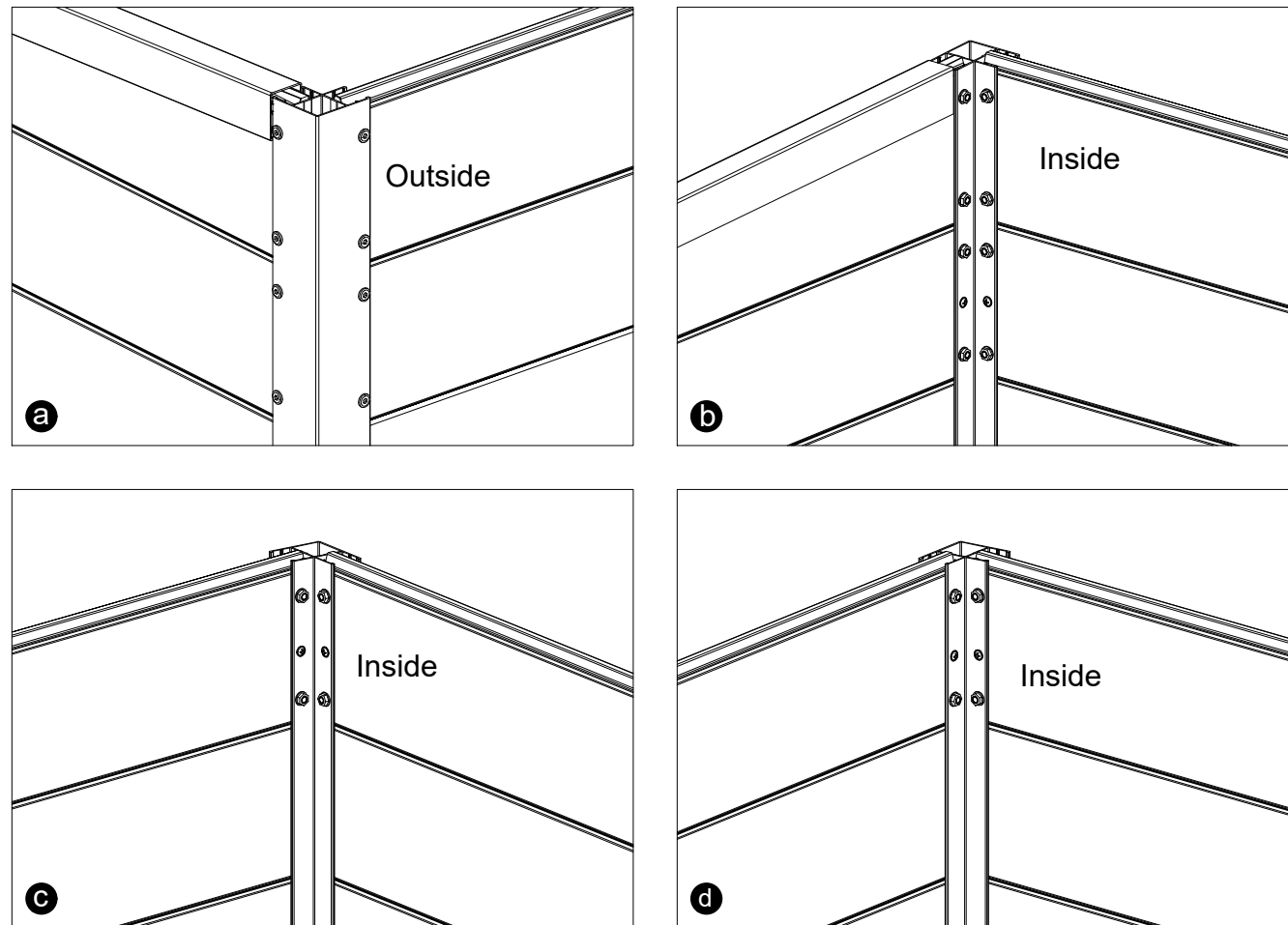
**STEP 8 :**



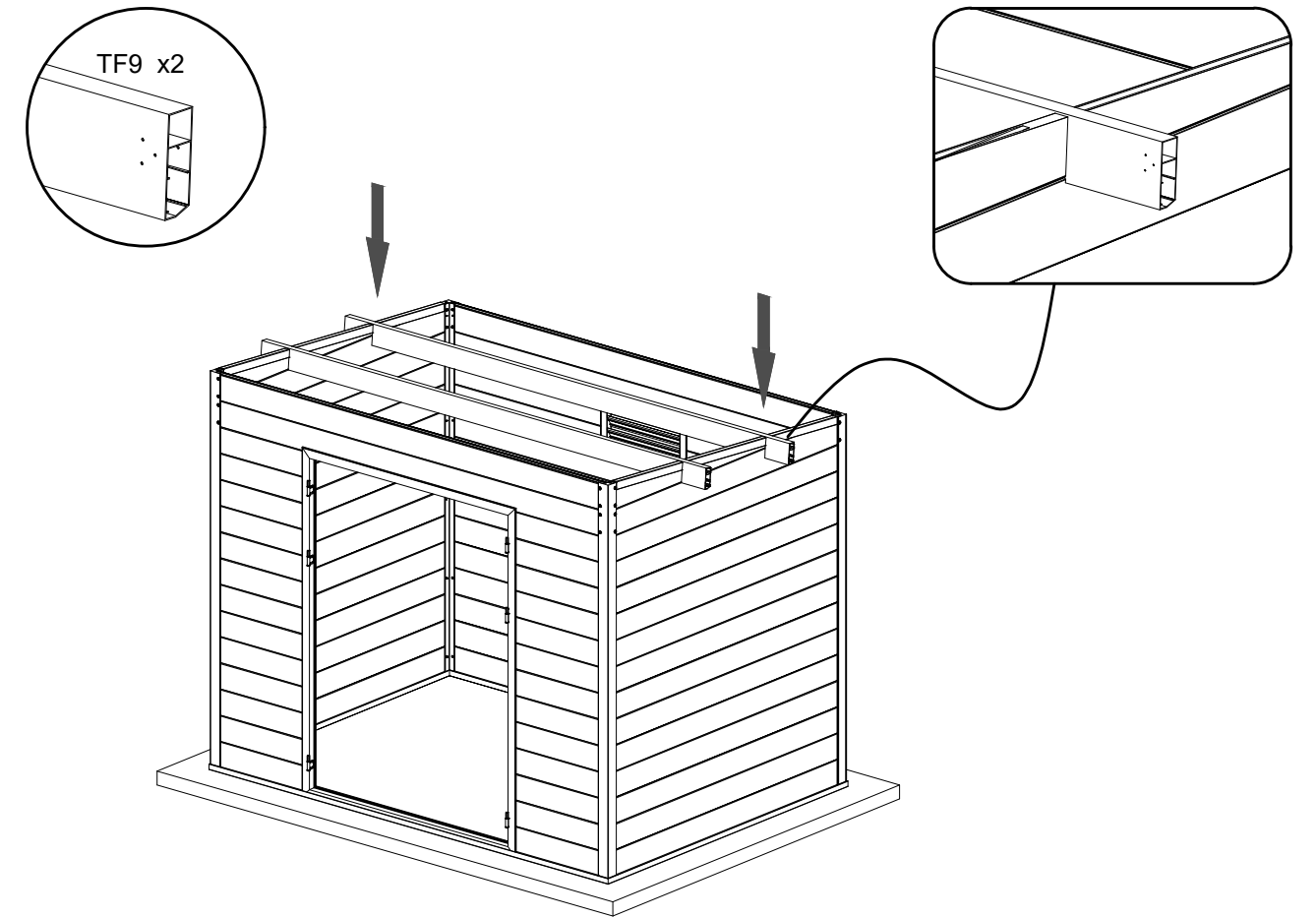
**STEP 9 :**



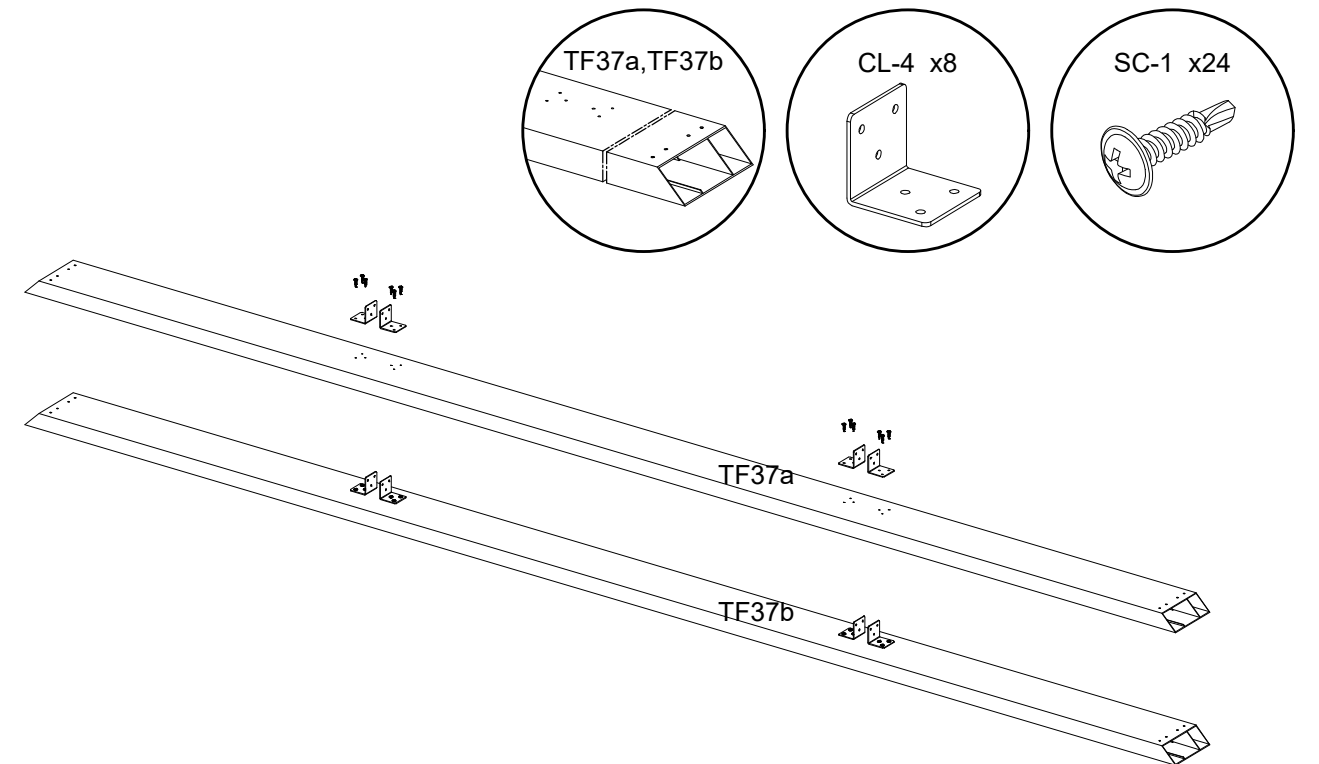
**DETAIL :**



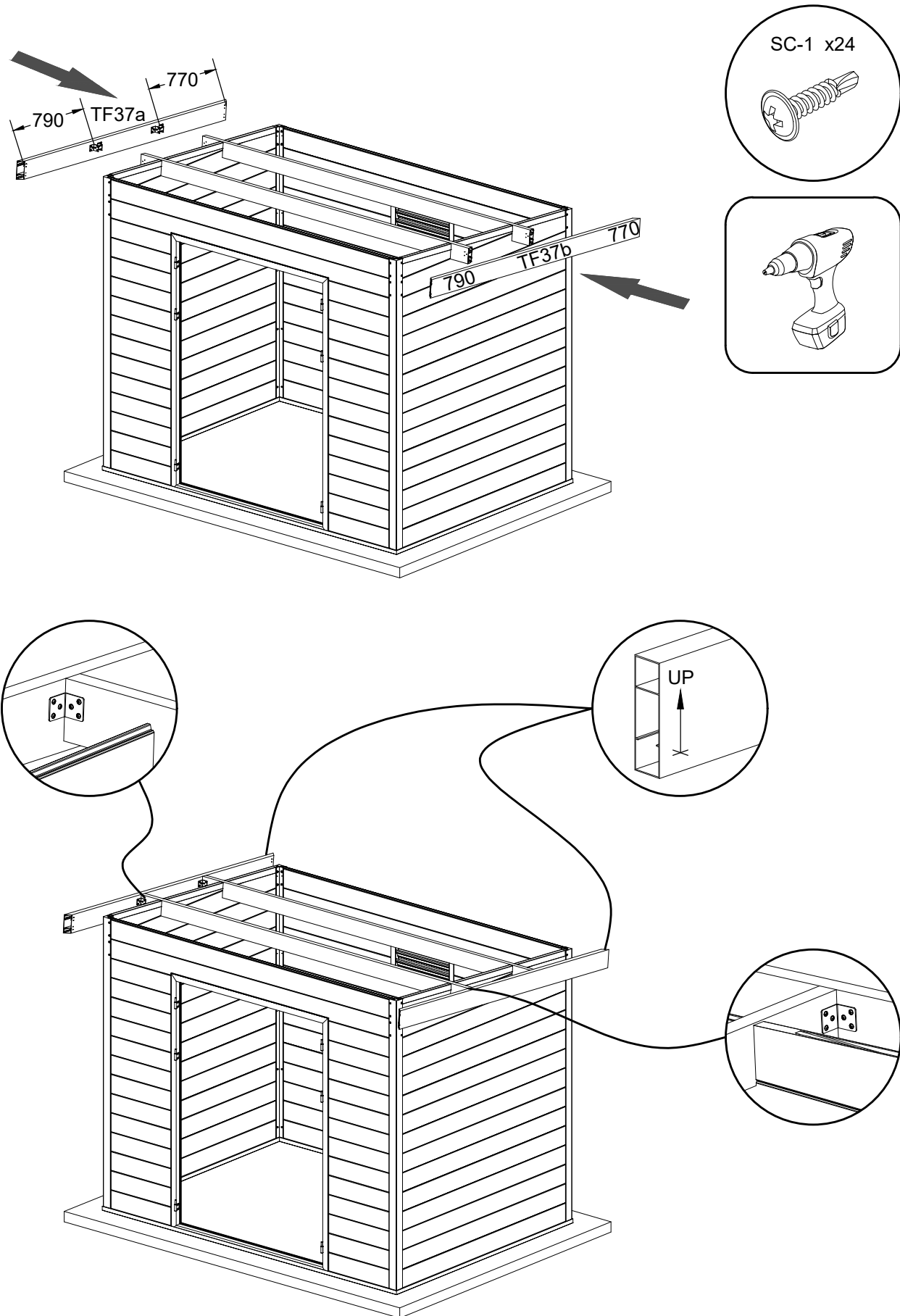
**STEP 10 :**



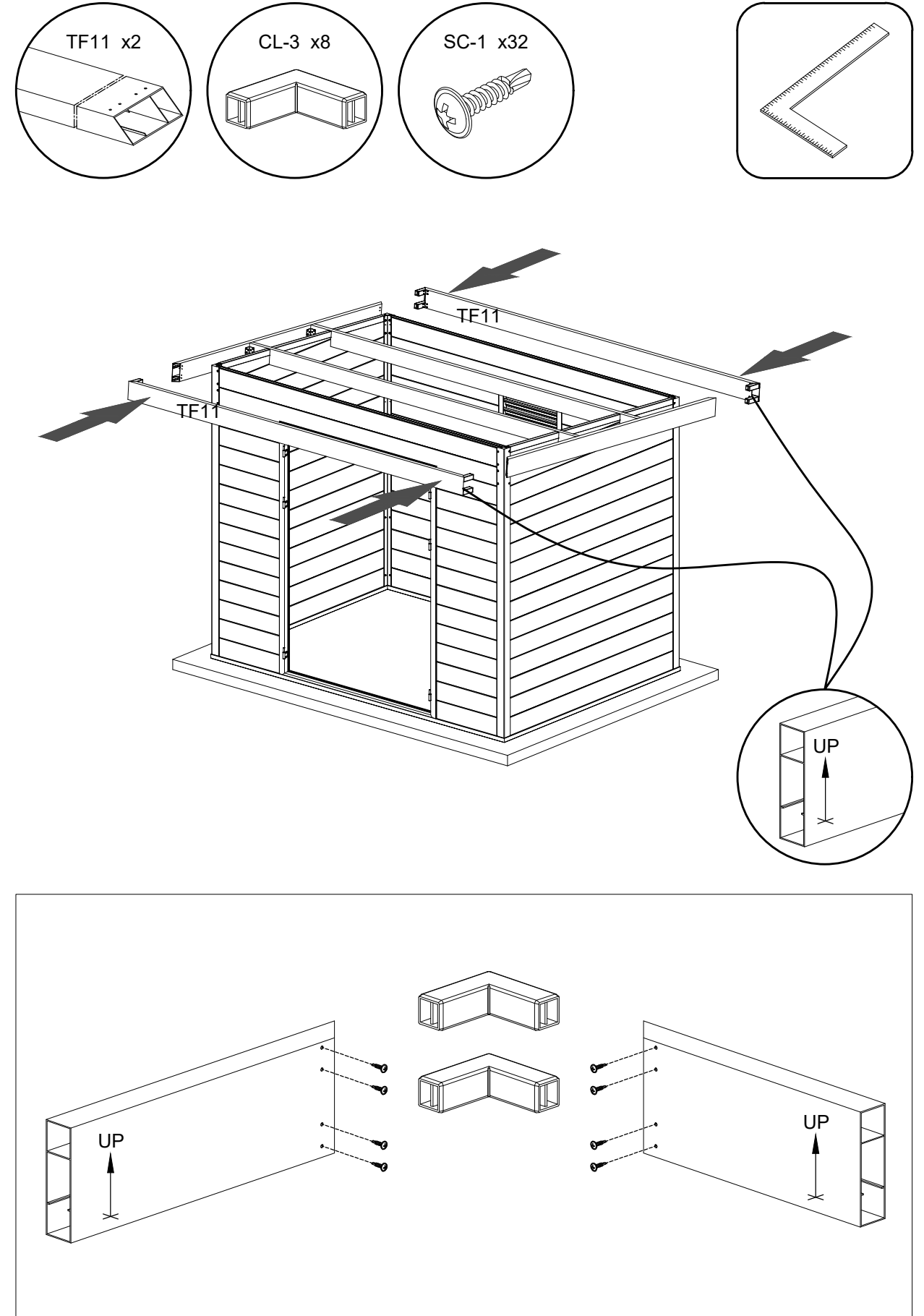
**STEP 11 :**



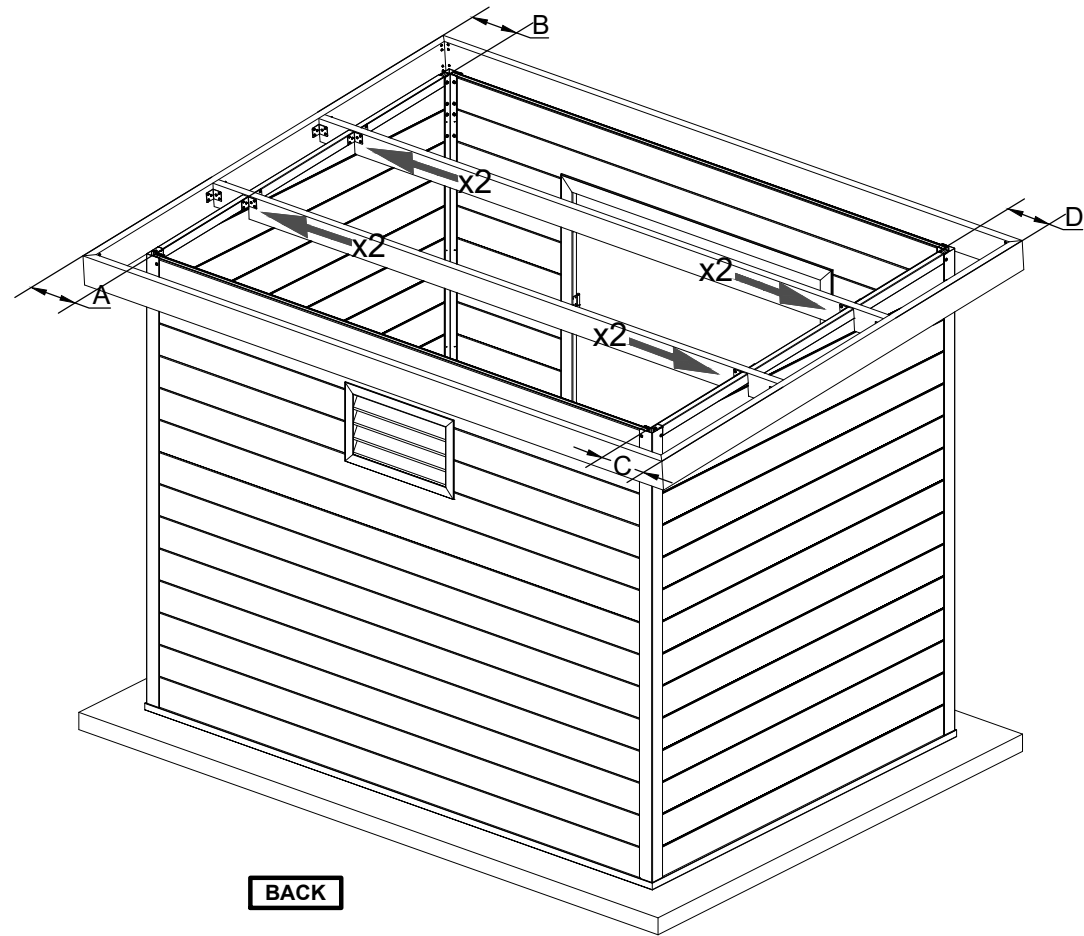
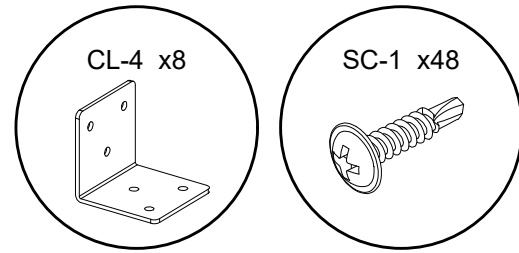
STEP 12 :



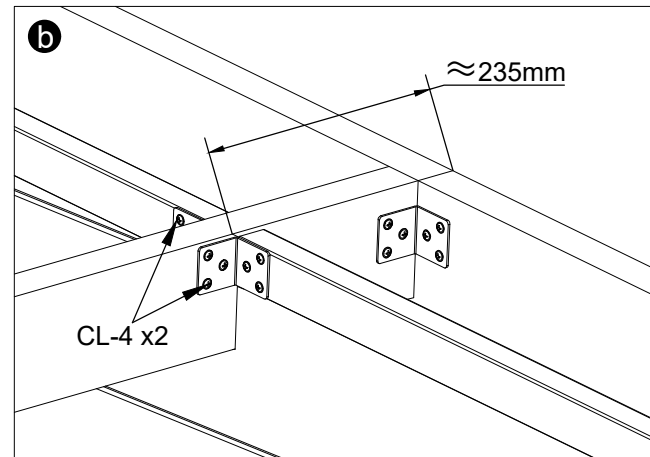
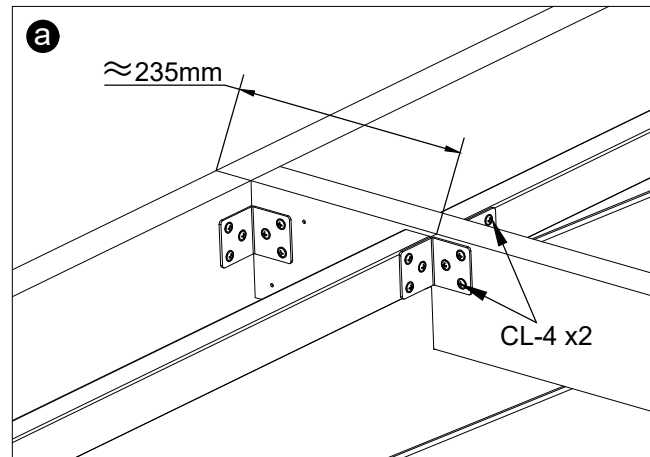
STEP 13 :



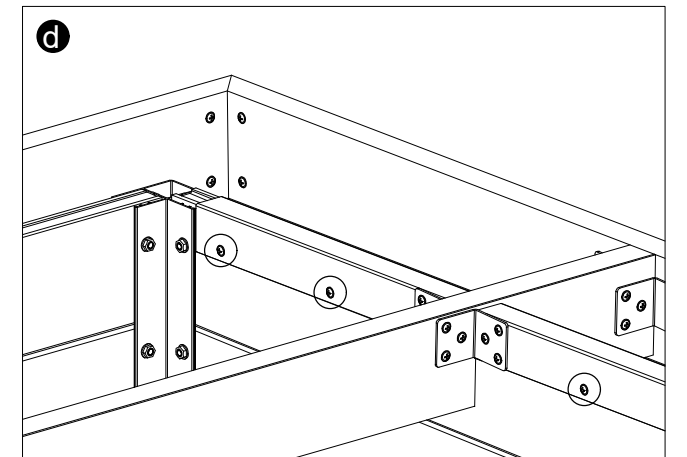
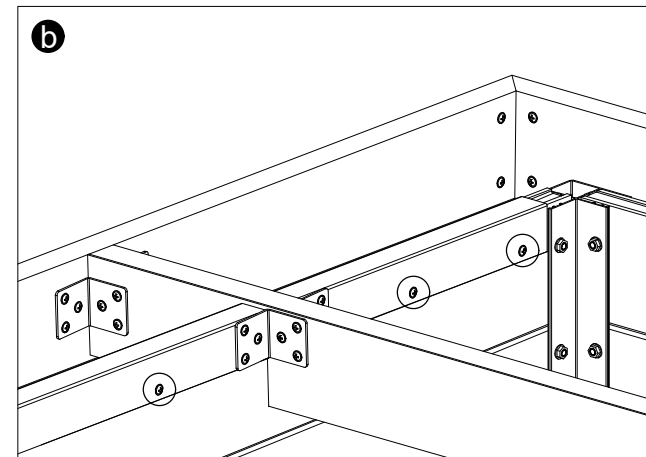
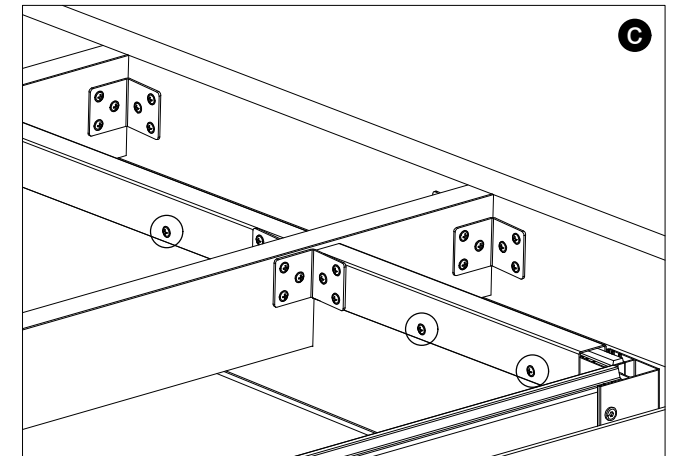
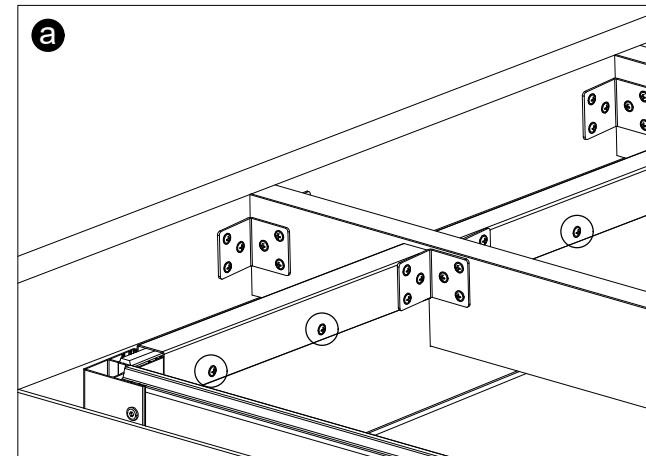
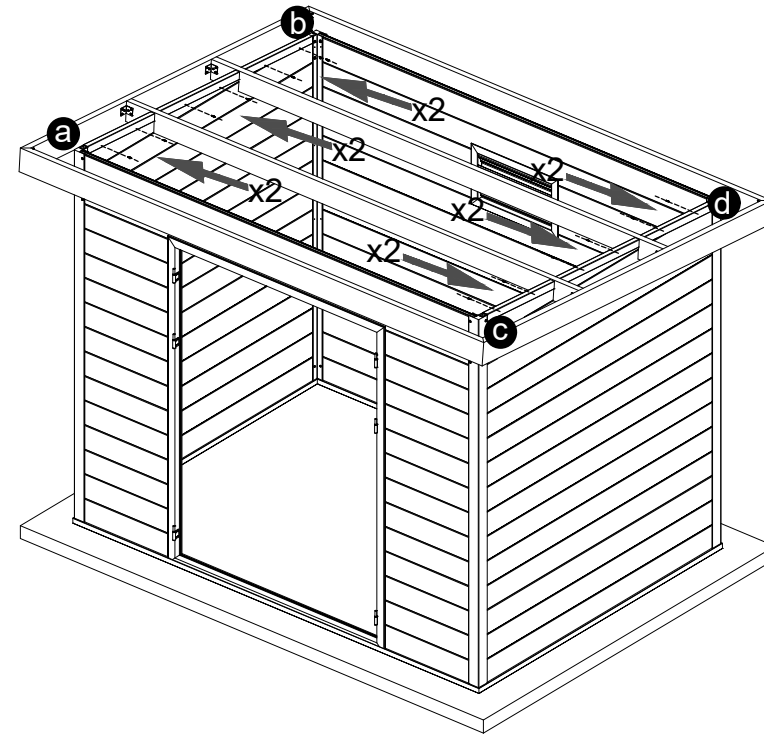
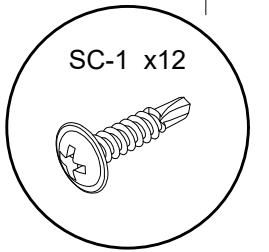
**STEP 14 : Connecting Together**



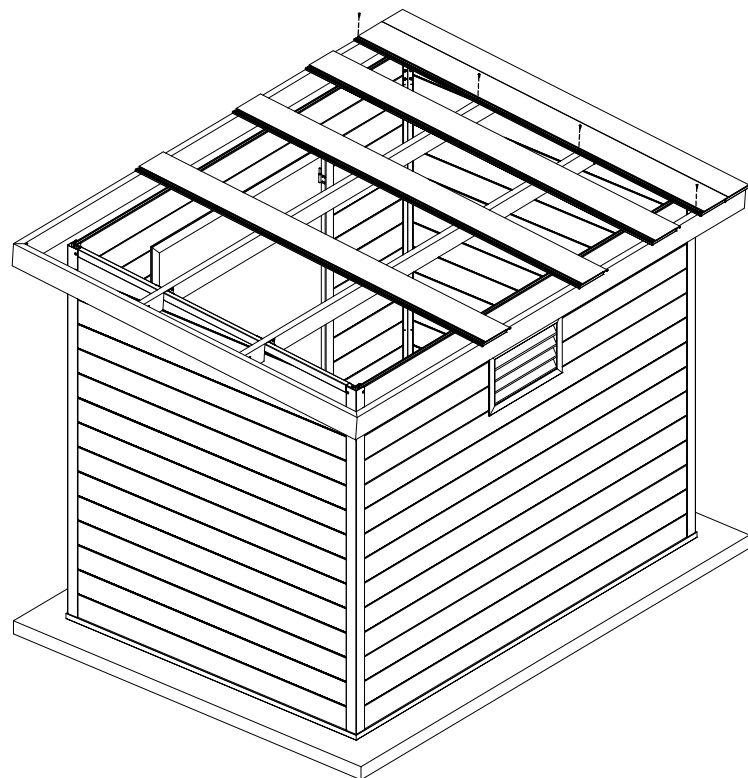
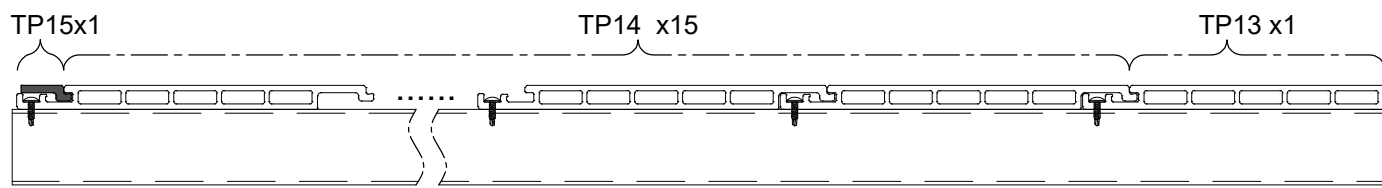
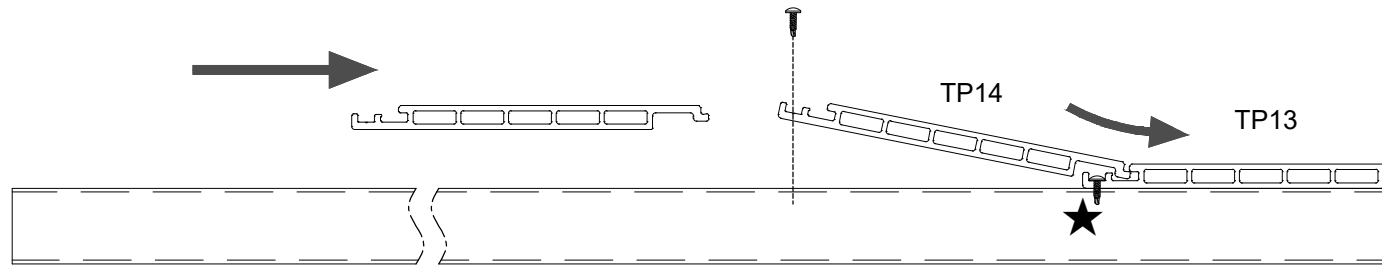
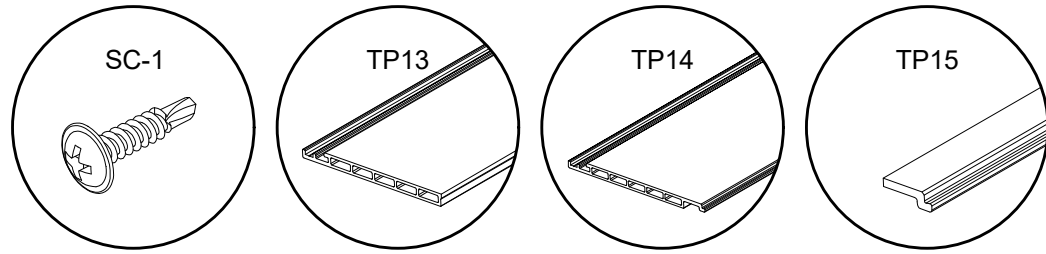
**BACK**



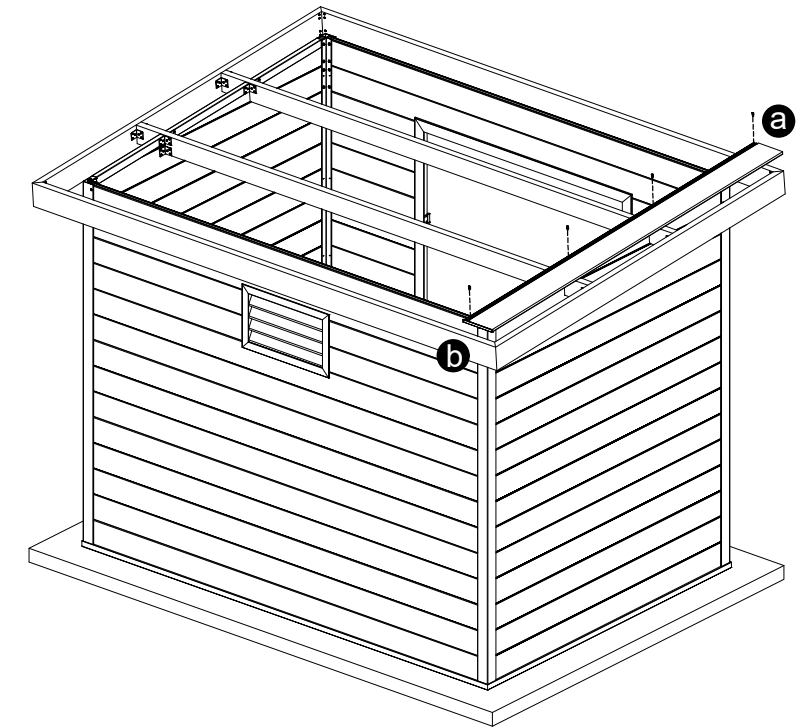
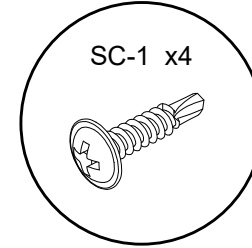
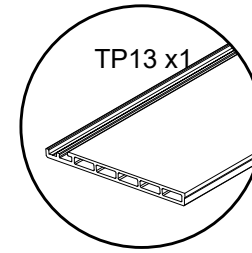
**STEP 15 : Strengthening connections**



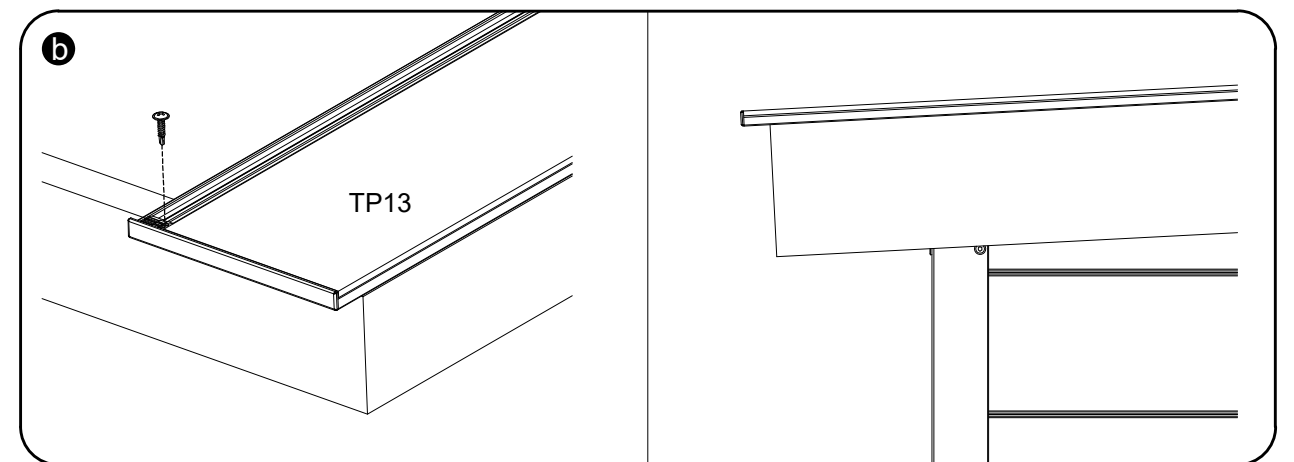
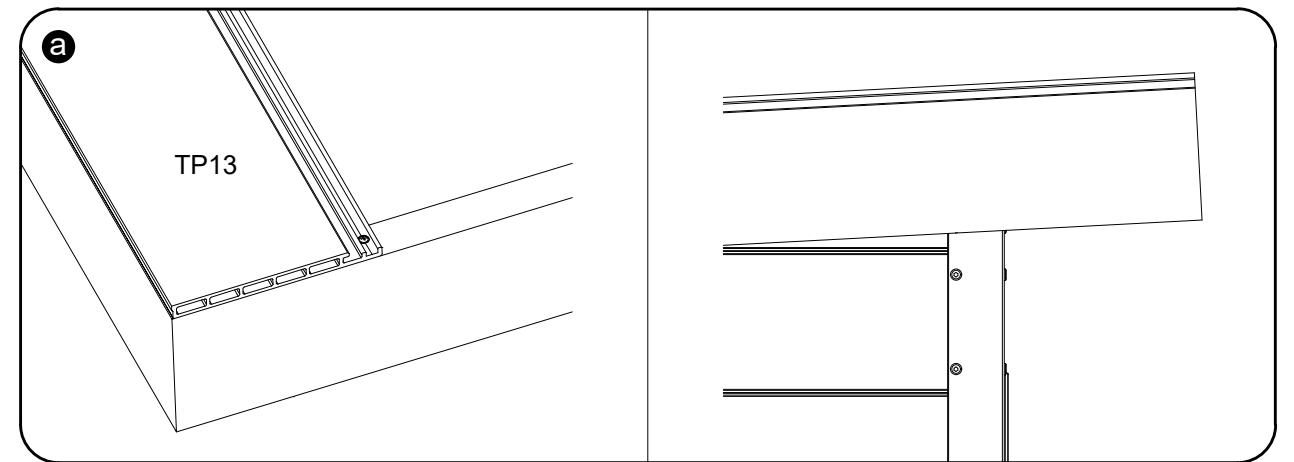
The top roof panel.



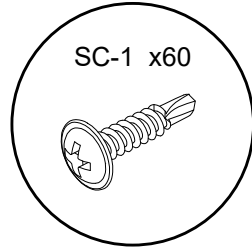
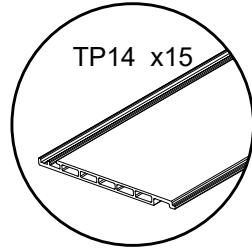
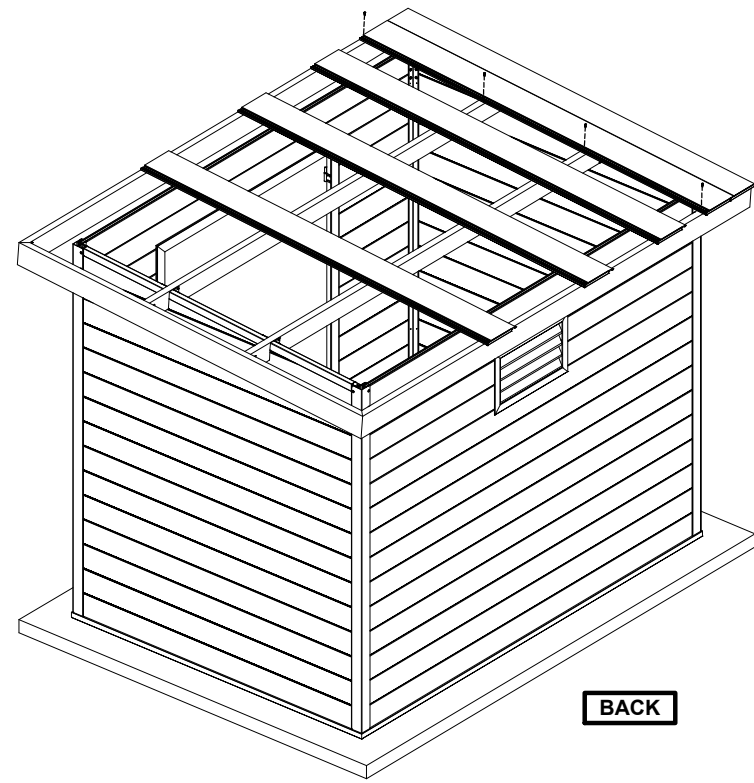
STEP 16 : The installation of top roof panel.



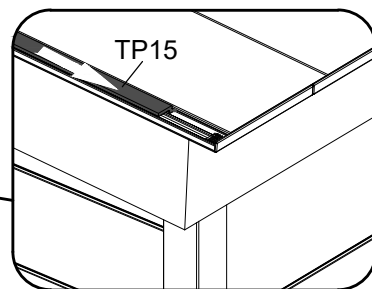
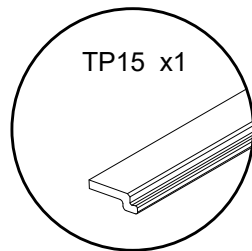
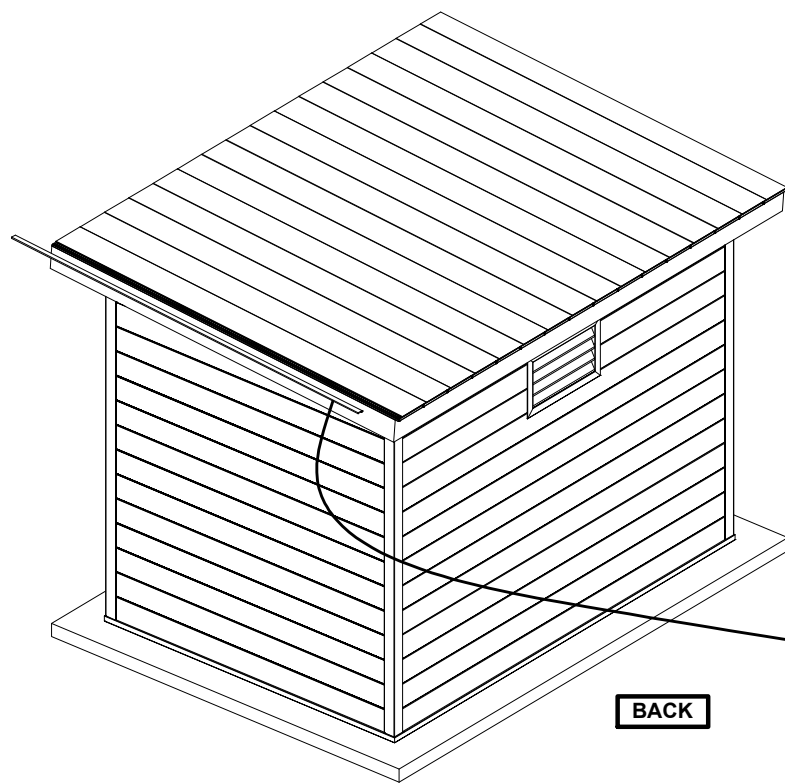
BACK



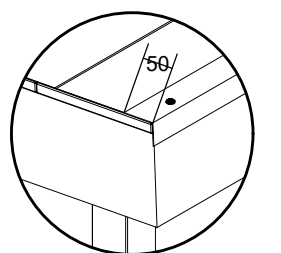
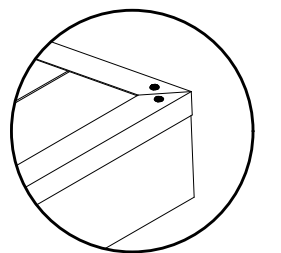
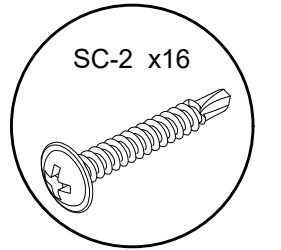
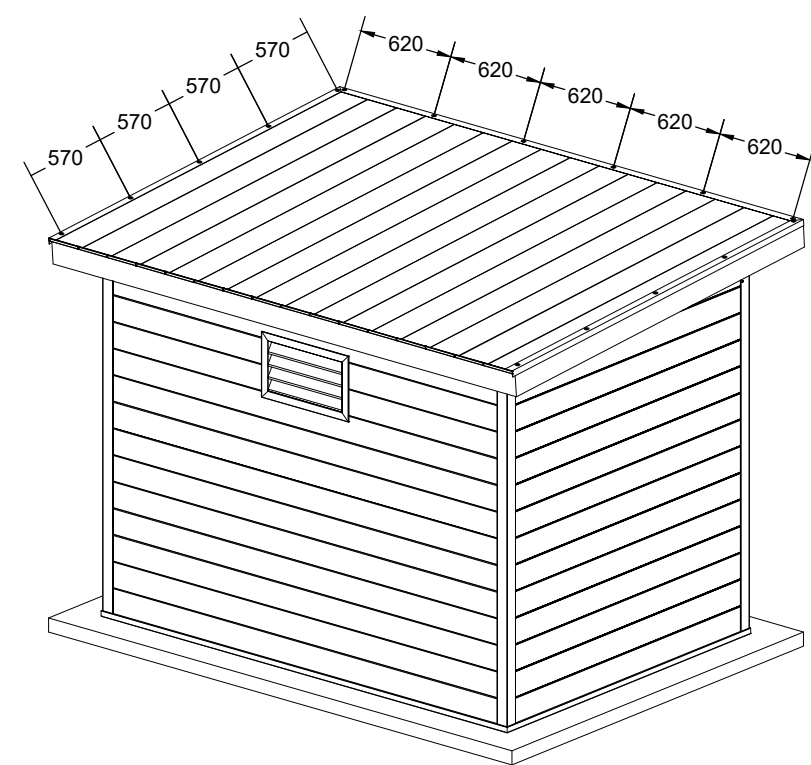
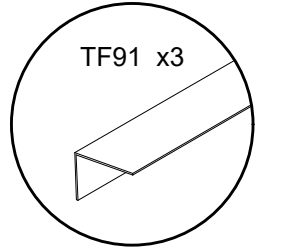
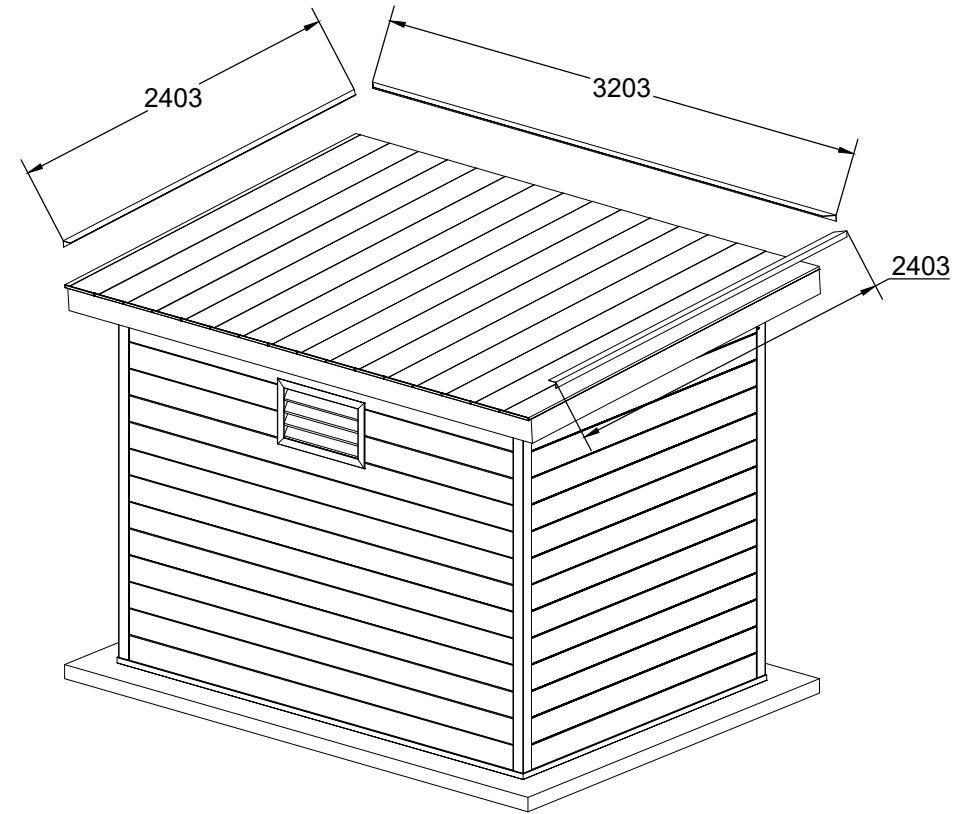
STEP 17 :



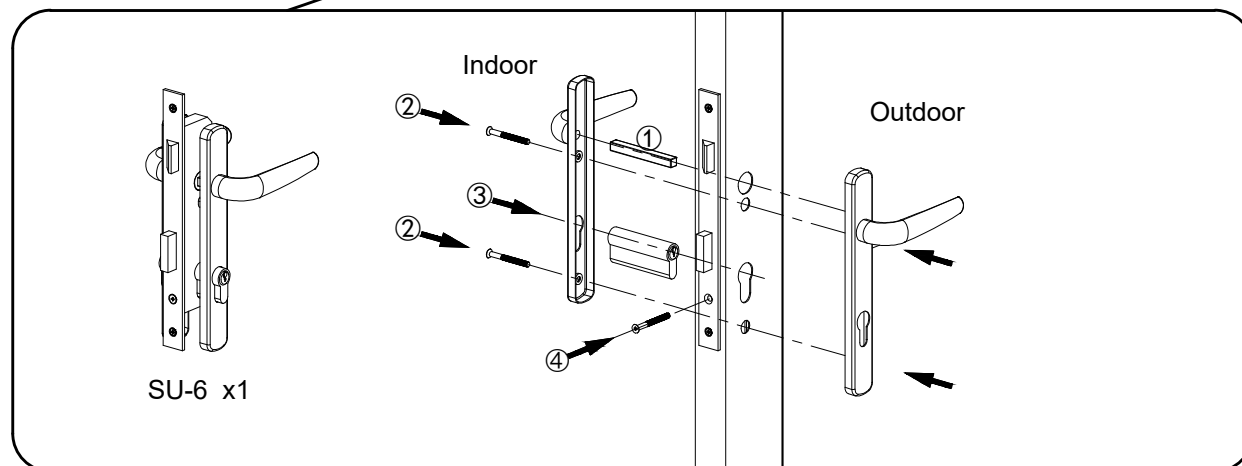
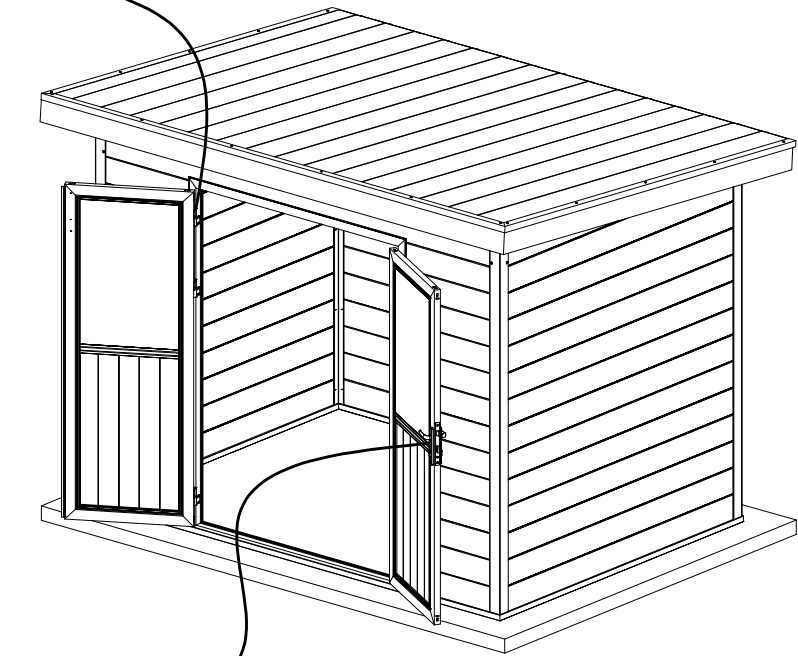
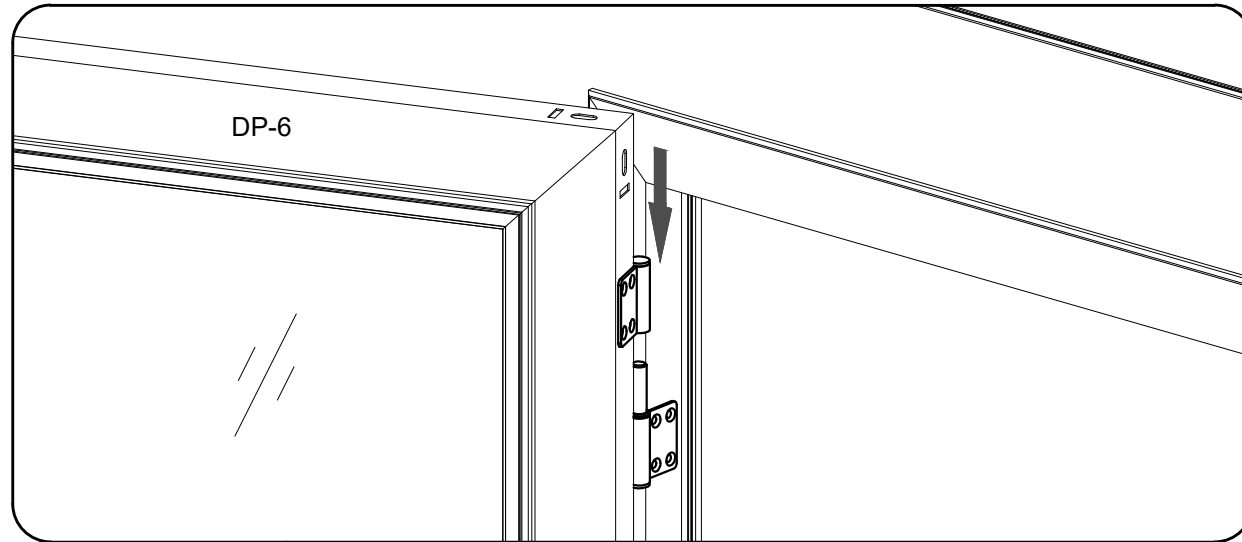
STEP 18 :



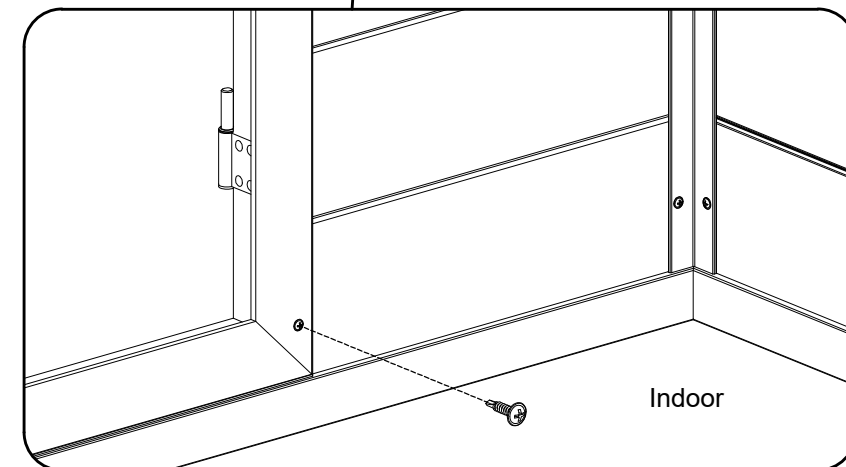
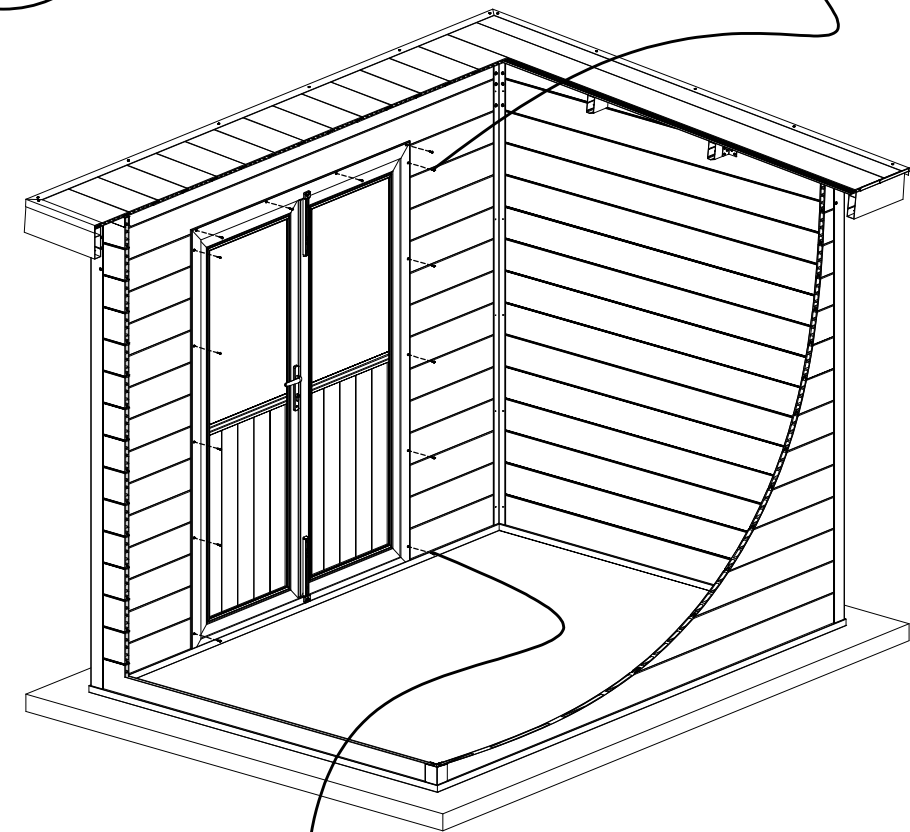
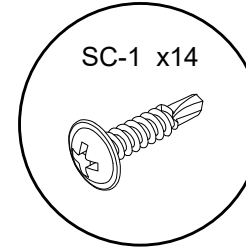
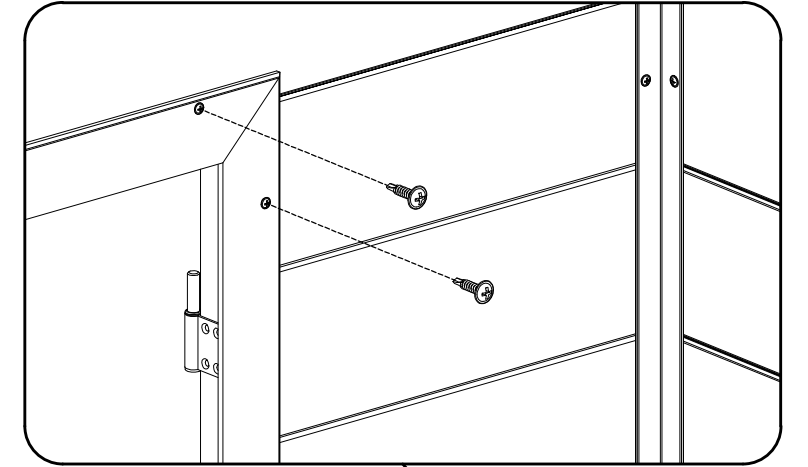
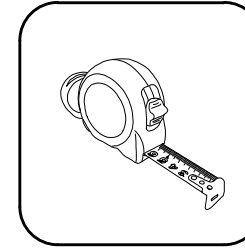
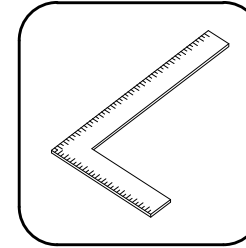
STEP 19:



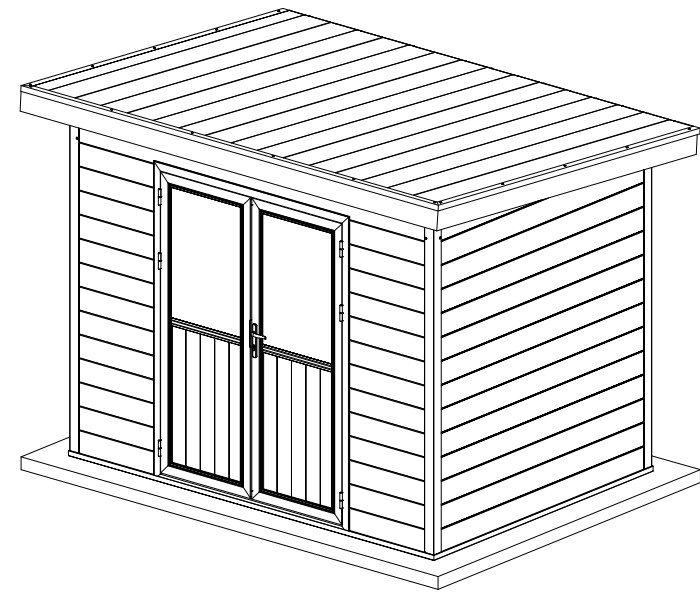
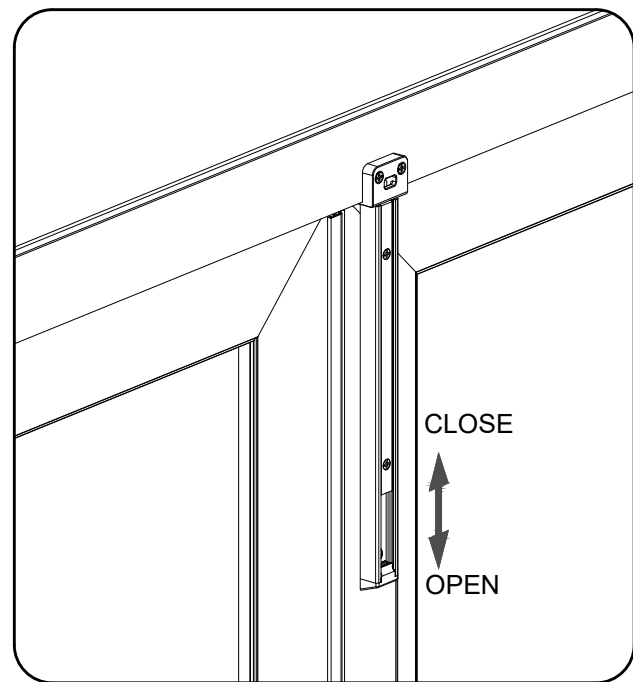
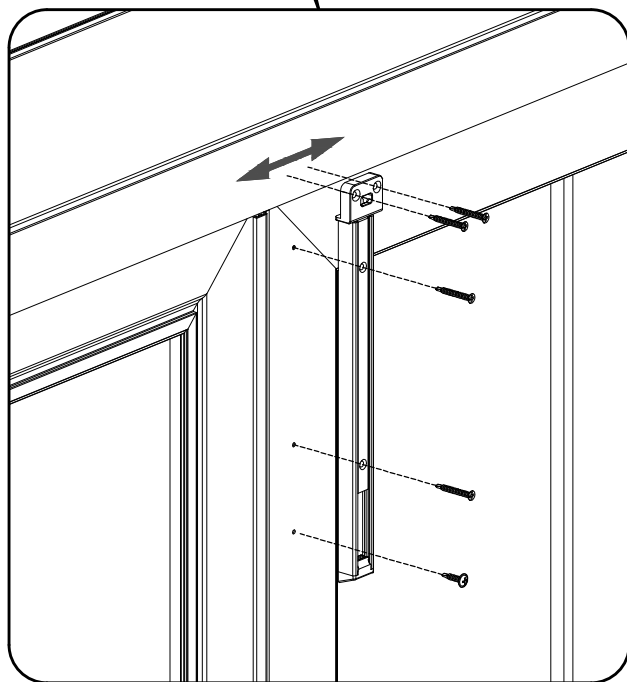
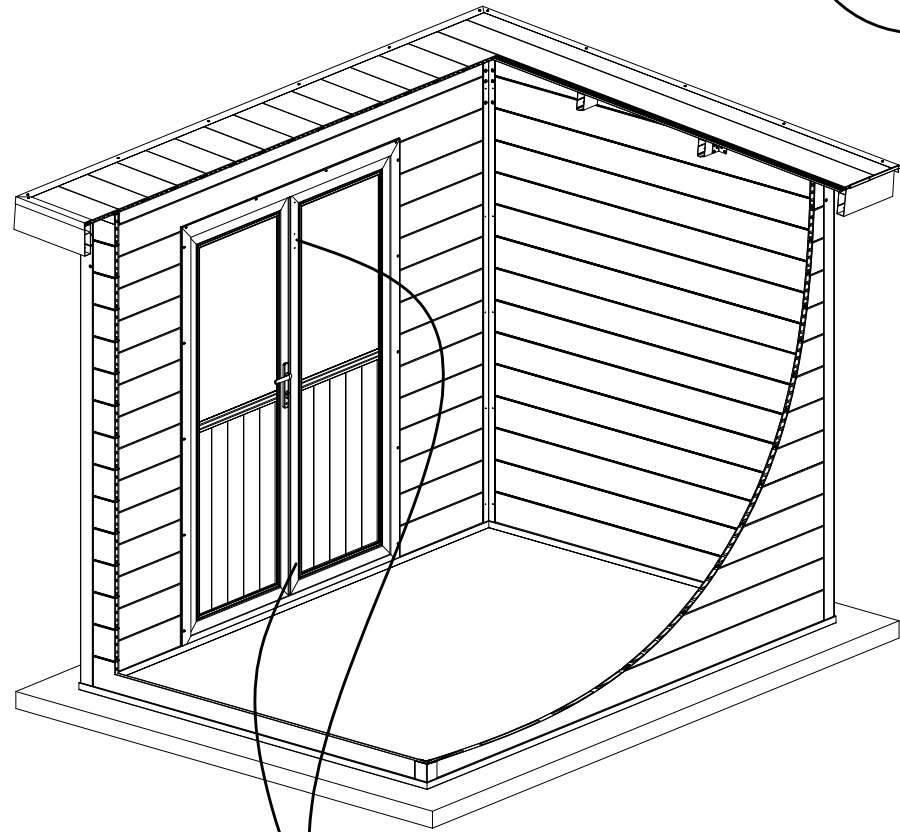
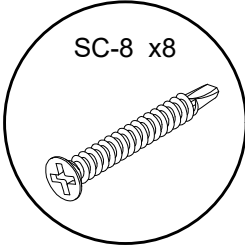
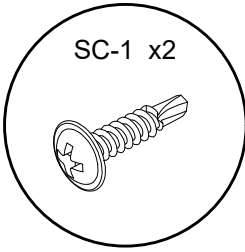
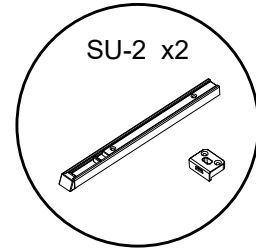
**STEP 20 : DOOR and LOCK**



**STEP 21 : Connecting Together**



STEP 22 :

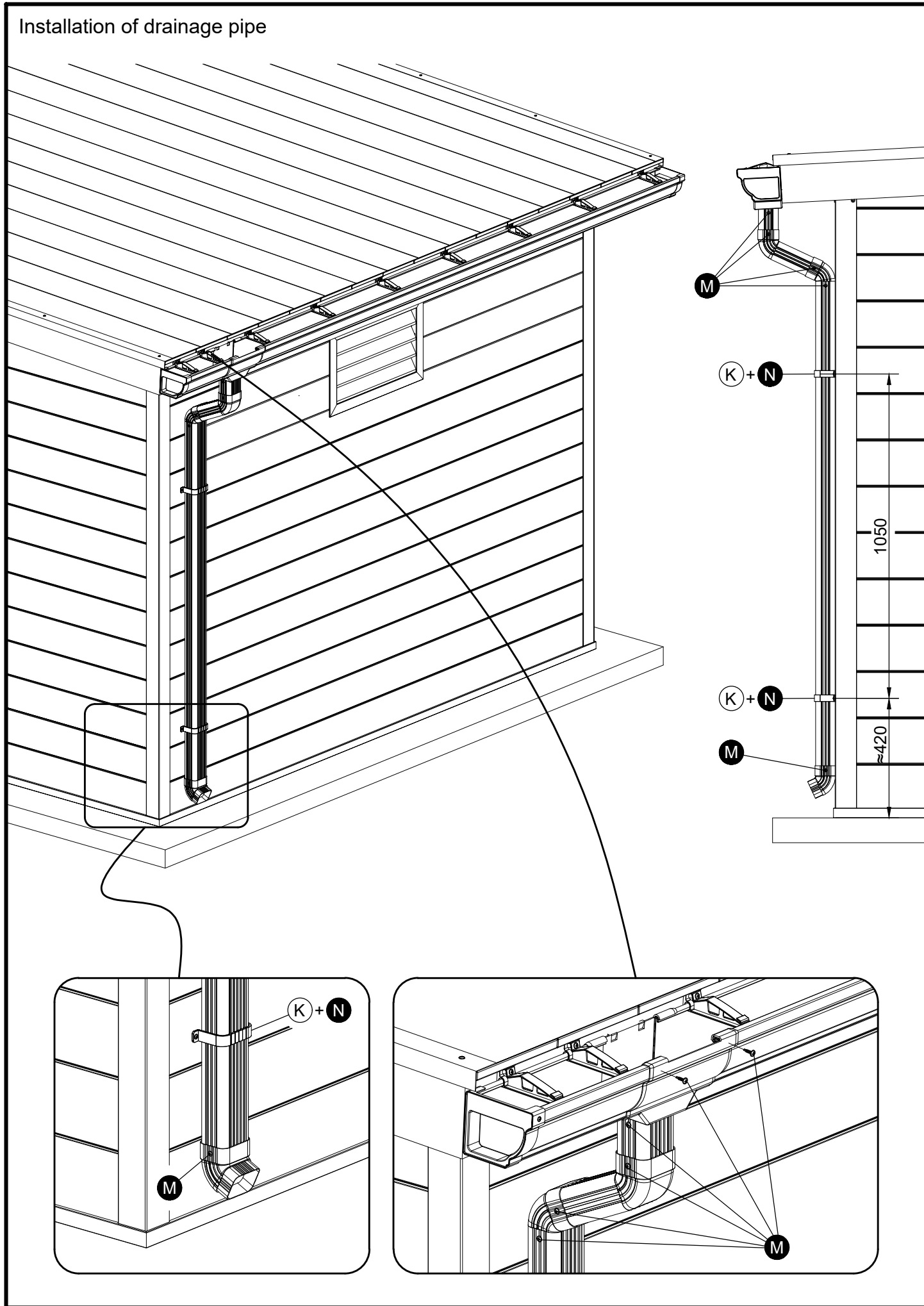


Optional accessory: Gutter System

(A)		L=2730mm	1
(B)		L=330mm	1
(C)		/	1
(D)		/	1+1
(E)		/	9
(F)			
(G)		L=100mm	1
(H)		L=155mm	1
(I)		L=1600mm	1
(J)		/	3
(K)		/	2
(L)		M4.2x50mm	12
(M)		M4.2x19mm	30
(N)		M4x25mm	6

Installation of Gutter

Installation of drainage pipe



Structural adhesive (not included)

