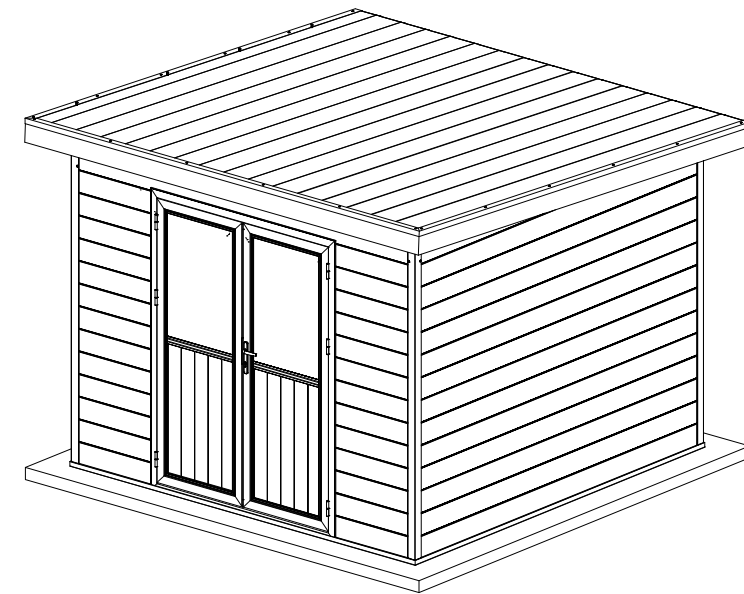
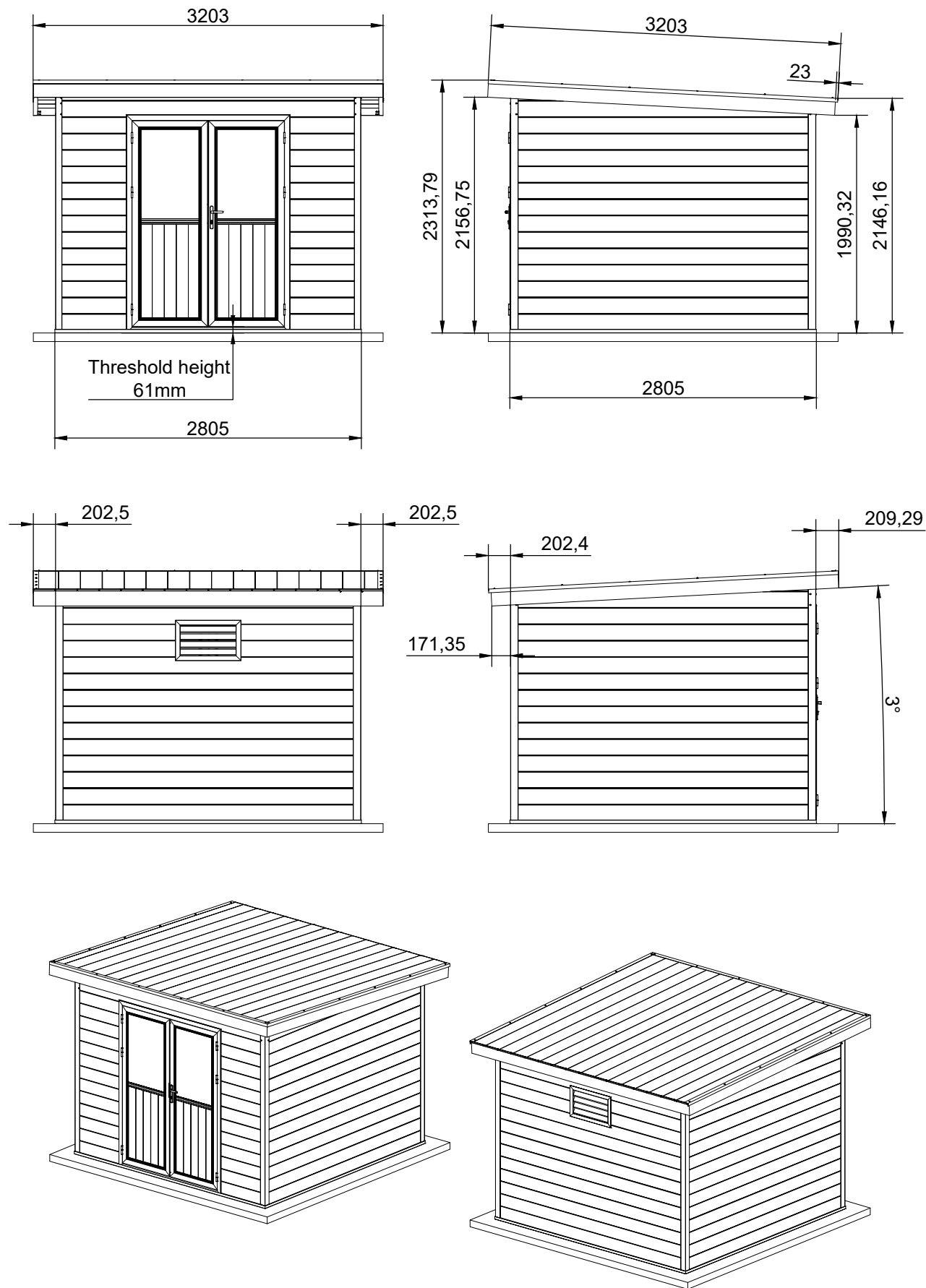


WPC GARDEN SHEDS INSTALLATION MANUAL FOR H006-B

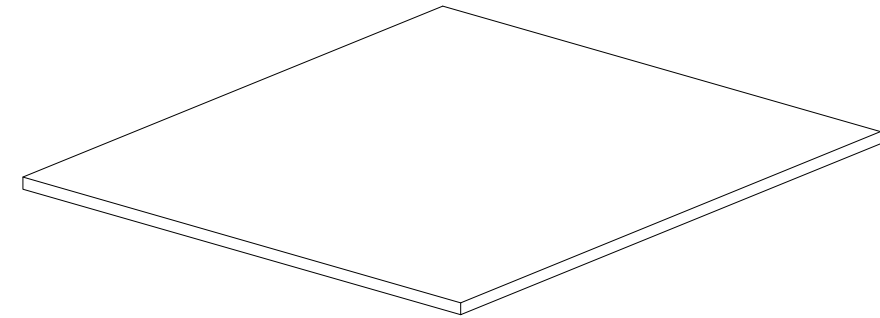


APPEARANCE & SIZE :

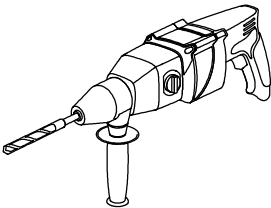
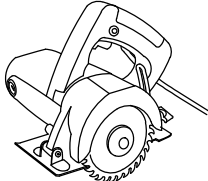
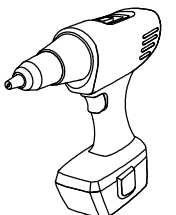
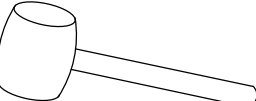
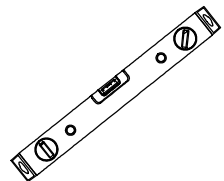
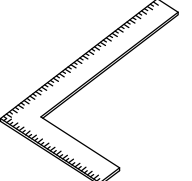
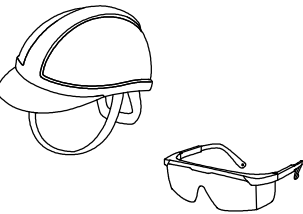
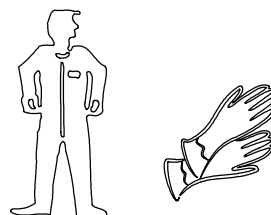
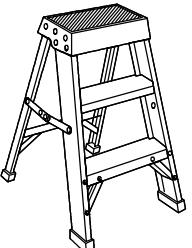


Installation Requirement :

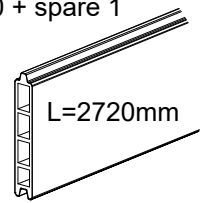
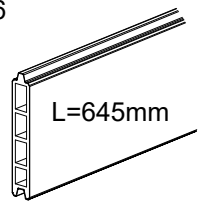
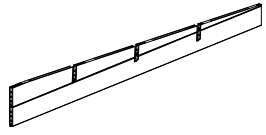
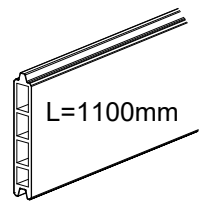
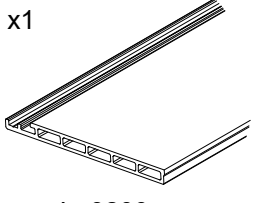
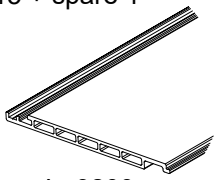
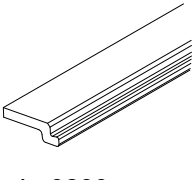
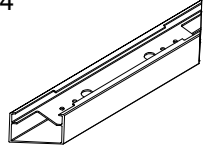

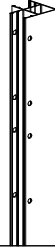


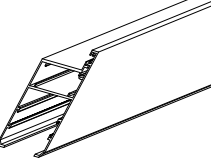
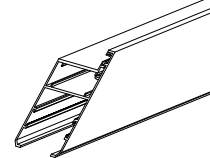
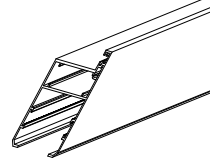
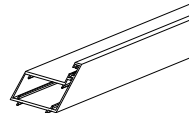
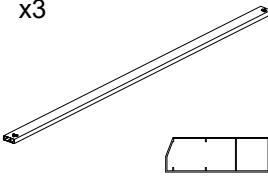
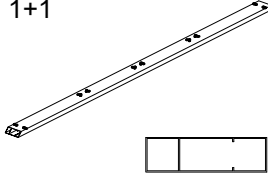
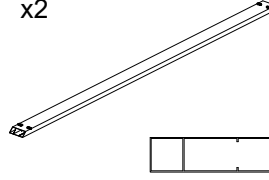
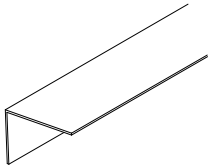
When do the assembling of a garden shed, a hard and flat ground without slope is needed. Please also make sure that the installation site has a good ventilation and drainage condition.



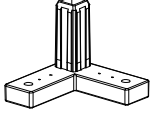
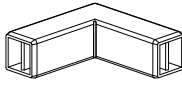
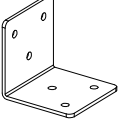
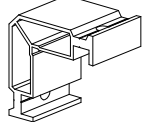
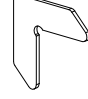
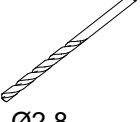
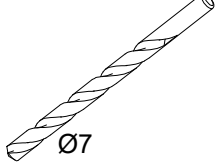
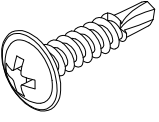
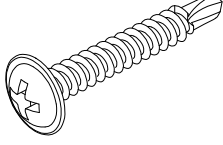
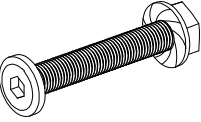
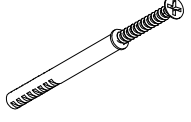

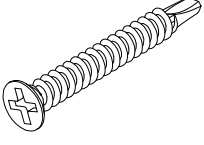
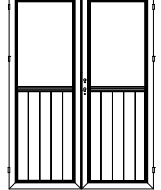
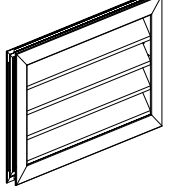
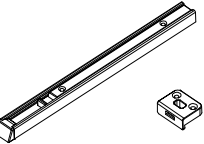
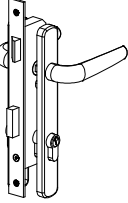
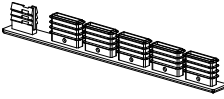
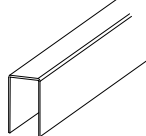
When dealing with any type of construction project, it is necessary to wear appropriate safety equipment to avoid any risk of injuries. We recommend but not only limited to the following safety equipment when handling, cutting, and installation : gloves, eye protector, respirator, long sleeves and pants.

<p>Impact electric drill</p> 	<p>Cutting machine</p> 	<p>Electric screwdriver</p> 
<p>Tape & Hammer</p> 	<p>Levelling Instrument</p> 	<p>L-square</p> 
<p>Safety helmet & Goggles</p> 	<p>Work clothes, gloves & protective shoes</p> 	<p>Ladder</p> 

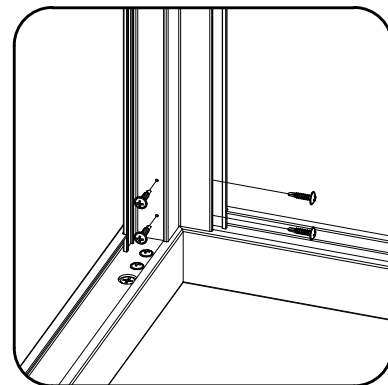
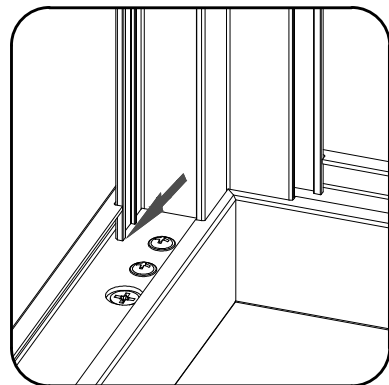
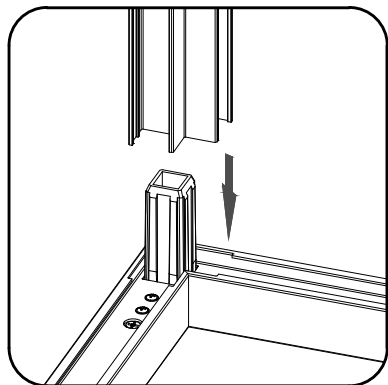
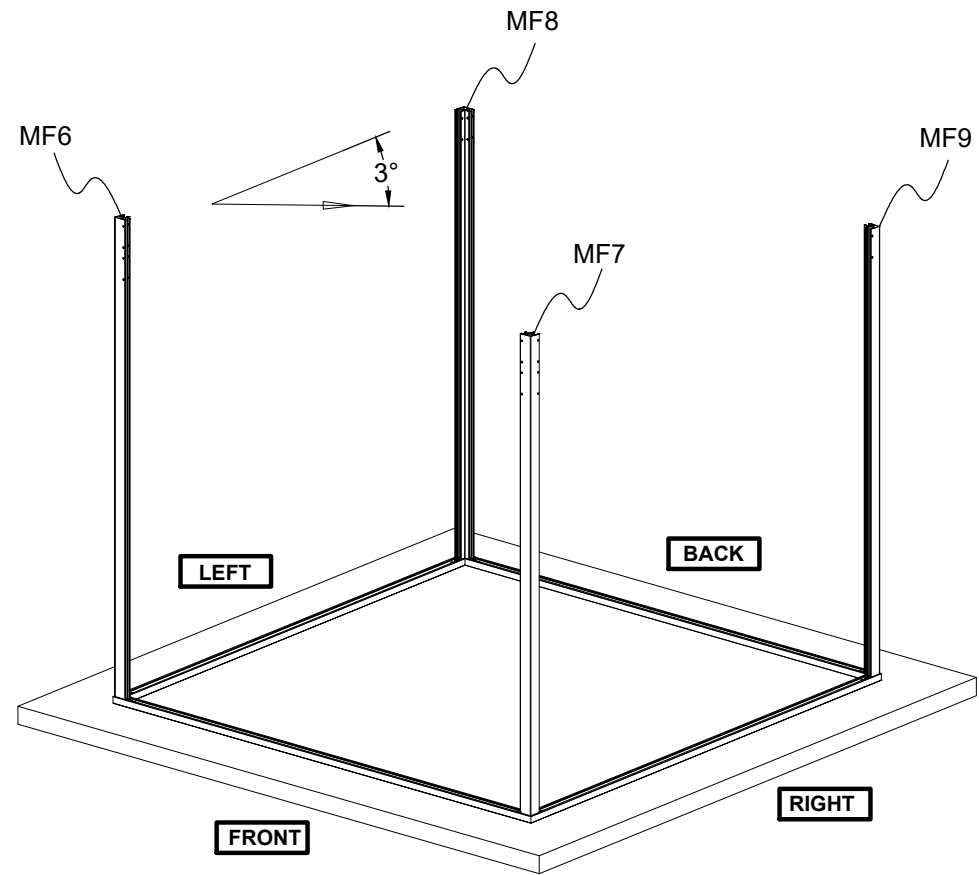
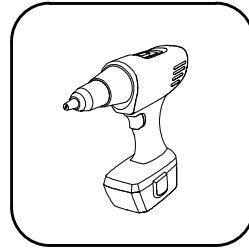
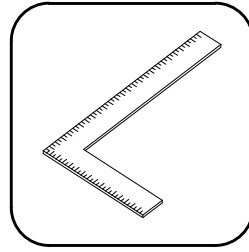
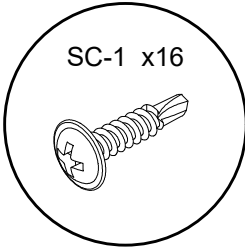
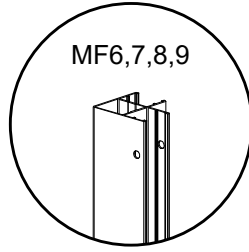
List of components

WP11 x40 + spare 1  L=2720mm	WP12 x26  L=645mm	WP14 x2  L=2720mm	WP69 x4  L=1100mm
TP4 x1  L=3200mm	TP5 x15 + spare 1  L=3200mm	TP6 x1  L=3200mm	
BF5 x4  L=2805mm			
MF6 x1 	MF7 x1 	MF8 x1 	MF9 x1 
DF1 x1  L=1965mm	DF2 x1  L=1965mm	DF3 x1  L=1500mm	DF4 x1  L=1430mm
TF9 x3  L=3120mm	TF10a,TF10b 1+1  L=3180mm	TF11 x2  L=3200mm	TF12 x3 

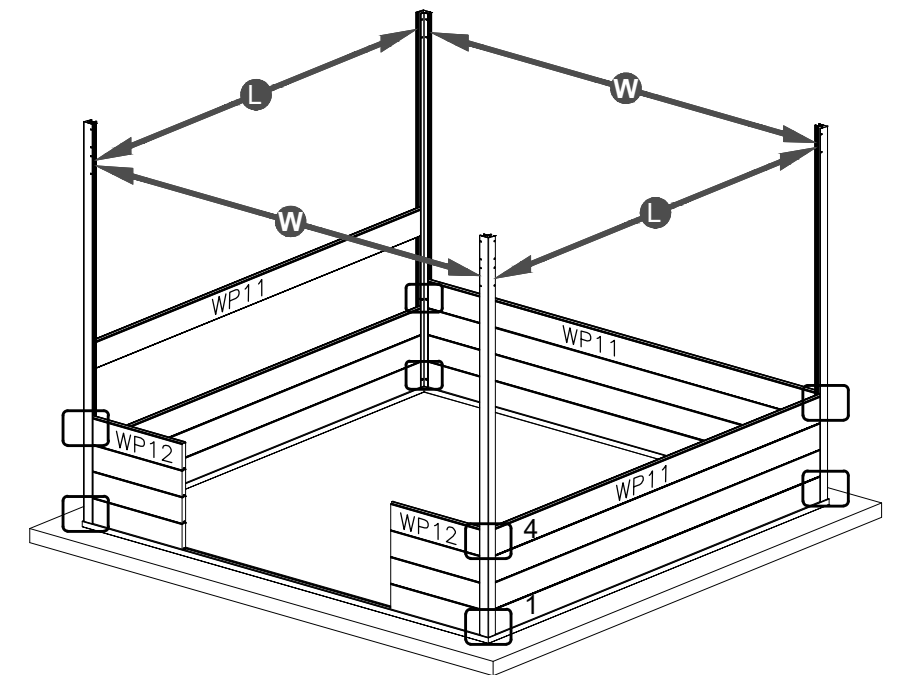
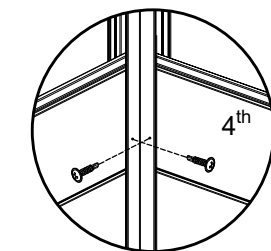
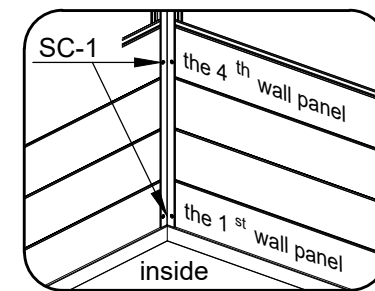
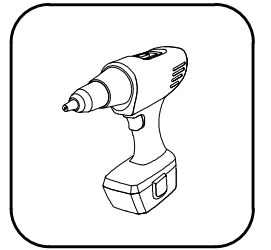
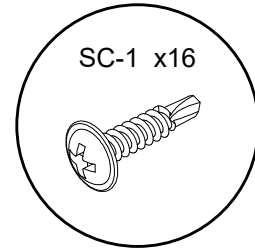
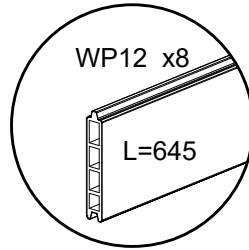
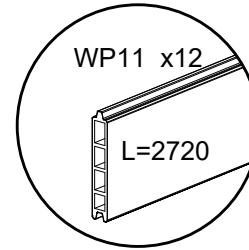
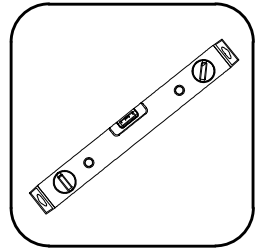
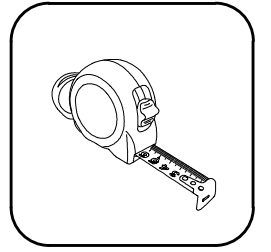
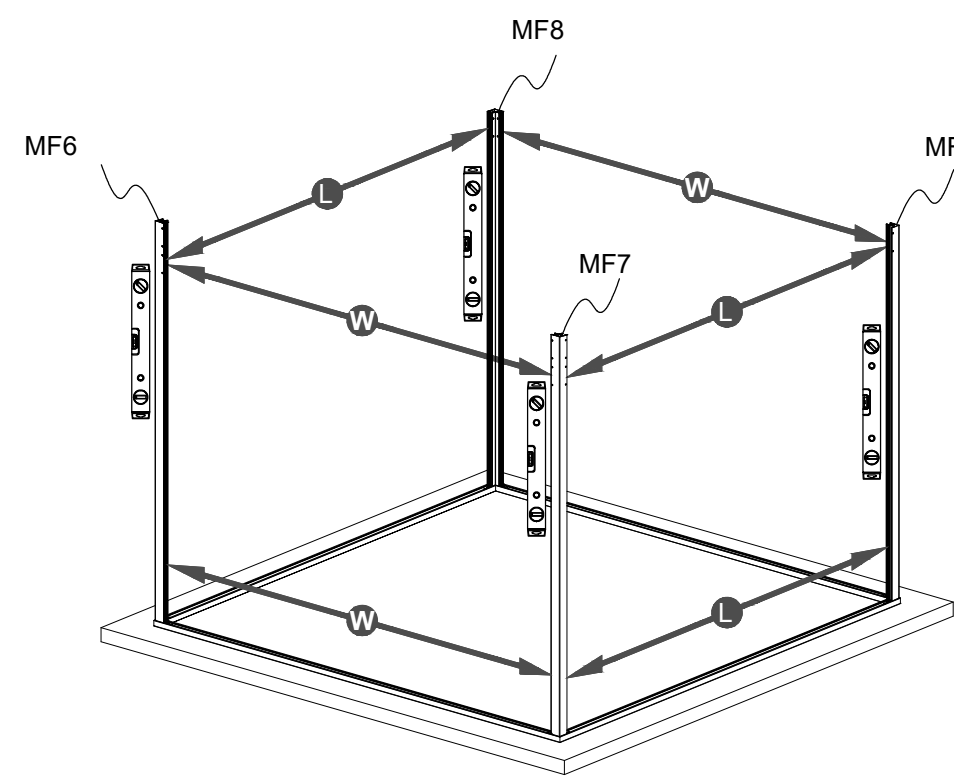
List of components

CL-1 x4 	CL-3 x8 	CL-4 x24 + spare 2 	CL-8 x4 
CL-9 x4 + spare 2 	Drill 1 x1 Ø2.8 	Drill 2 x1 Ø7 	
SC-1 x360 + spare 140  M4.2x19mm	SC-2 x18 + spare 6  M4.2x30mm	SC-4 x24 + spare 4  M6x40mm	SC-5 x8 + spare 1  Ø8x80mm
SC-7 x8 + spare 2  M6	SC-8 x8 + spare 2  M4.2x30mm		
DP-6 x1 	WD5 x1 	SU-2 x2 	SU-6 x1 8530 
Other Spare parts x5 	UC-006 	UC006-1 605mm x2 UC006-2 658mm x4 UC006-3 607mm x2	

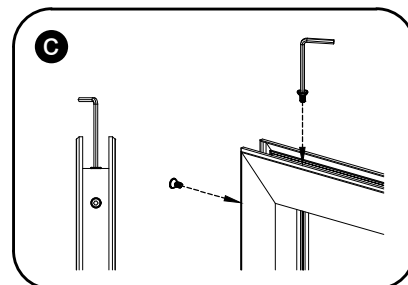
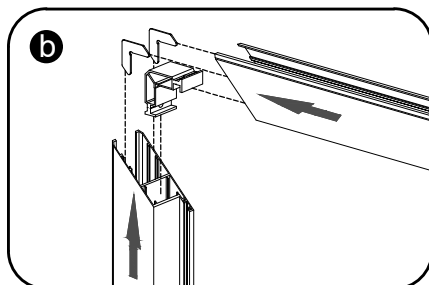
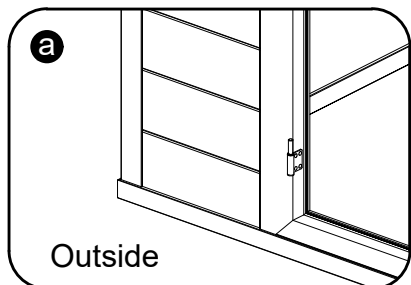
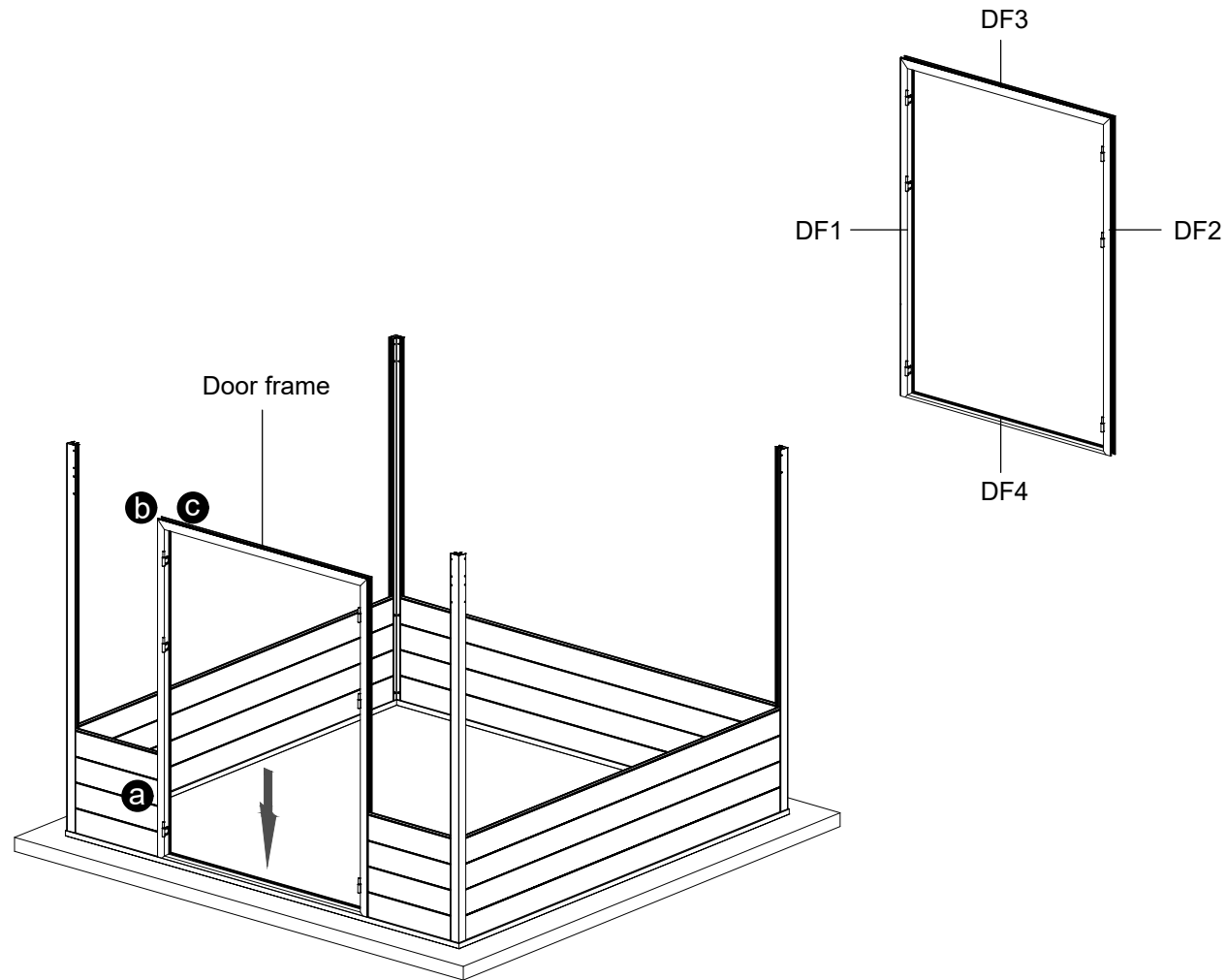
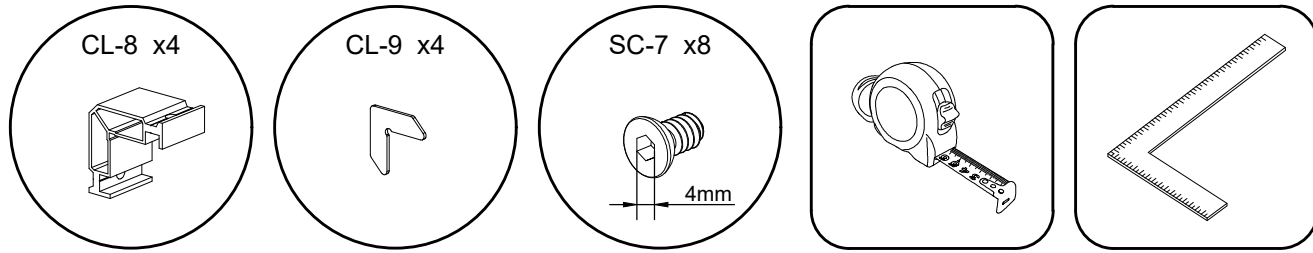
STEP 3 :



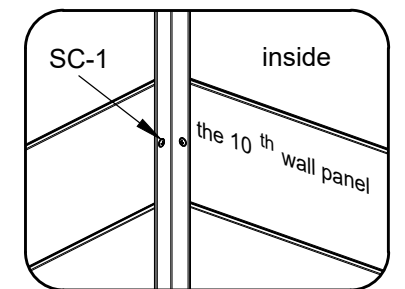
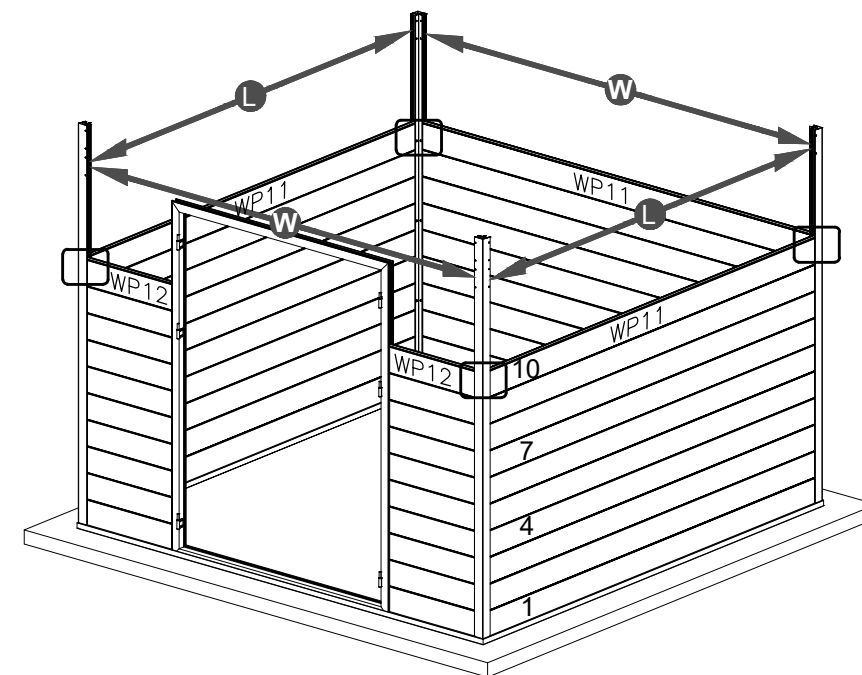
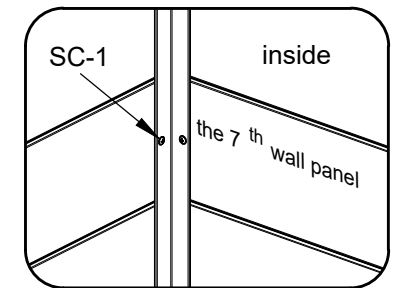
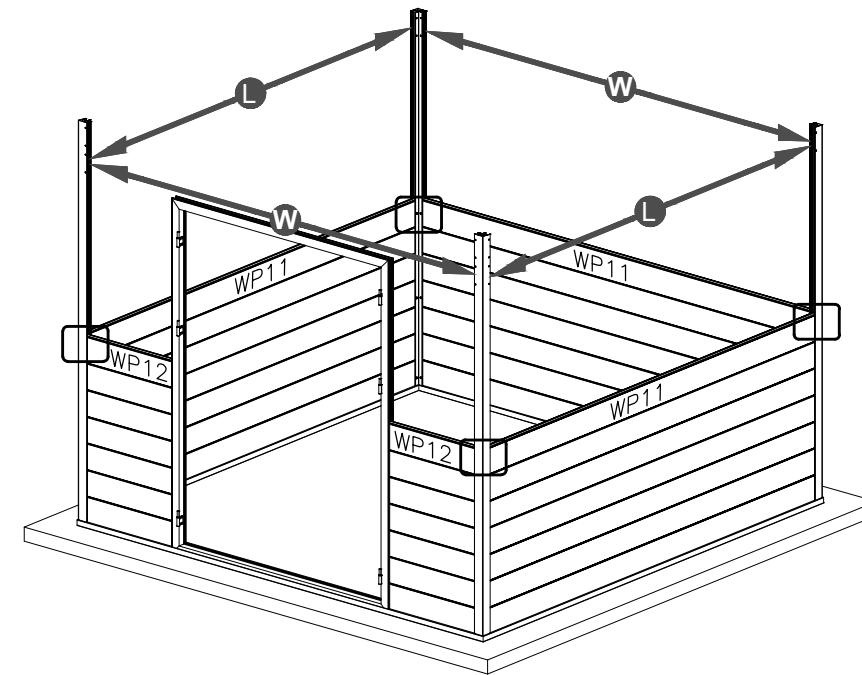
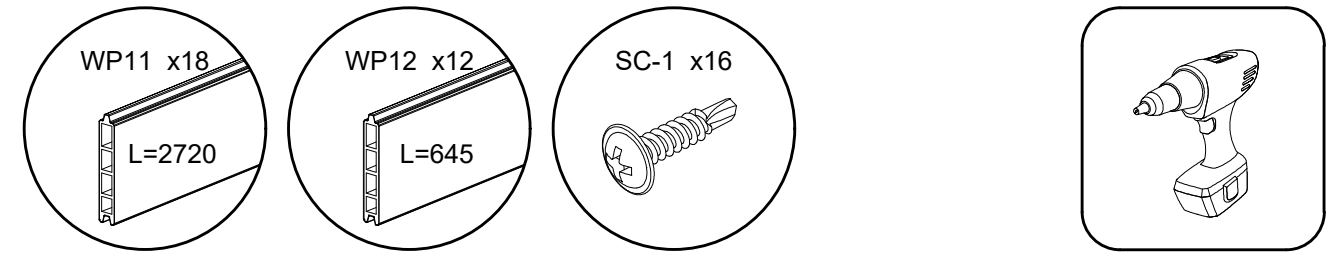
STEP 4 :



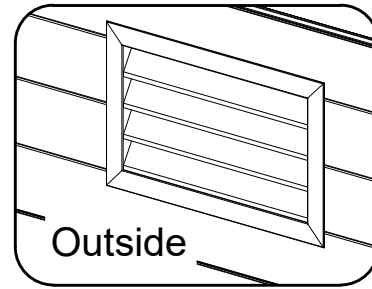
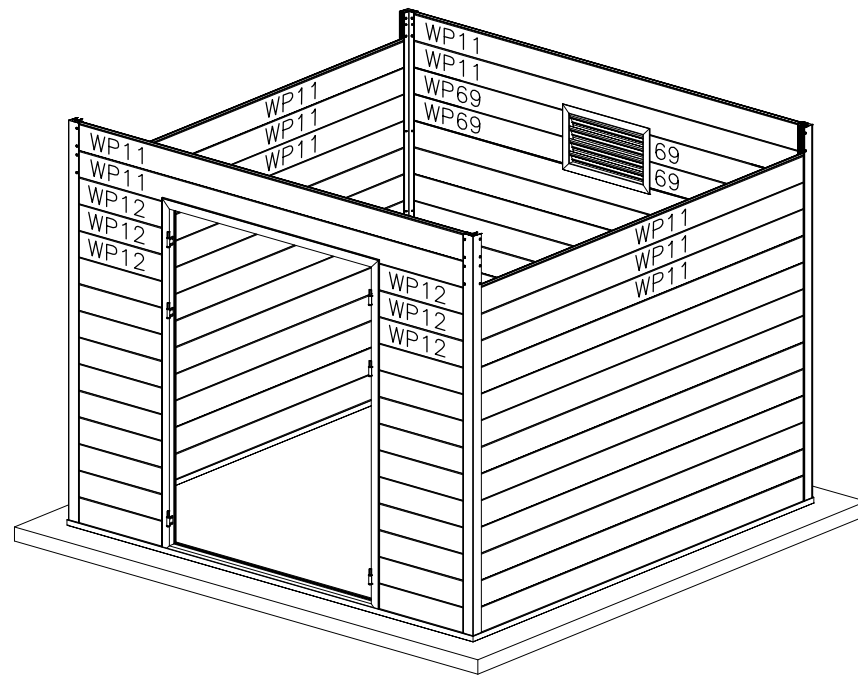
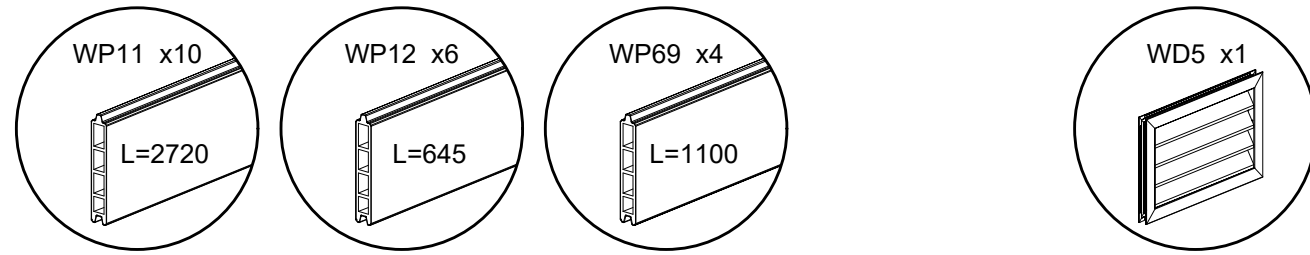
STEP 5 :



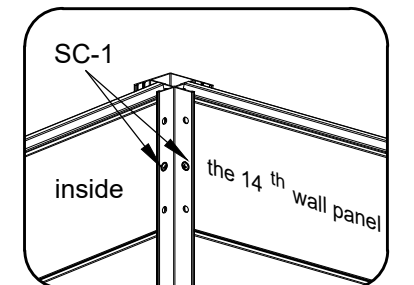
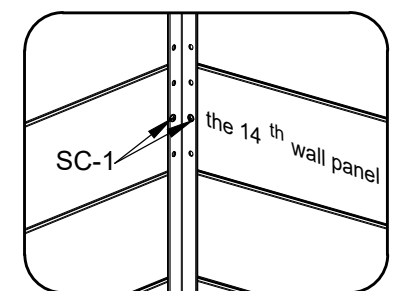
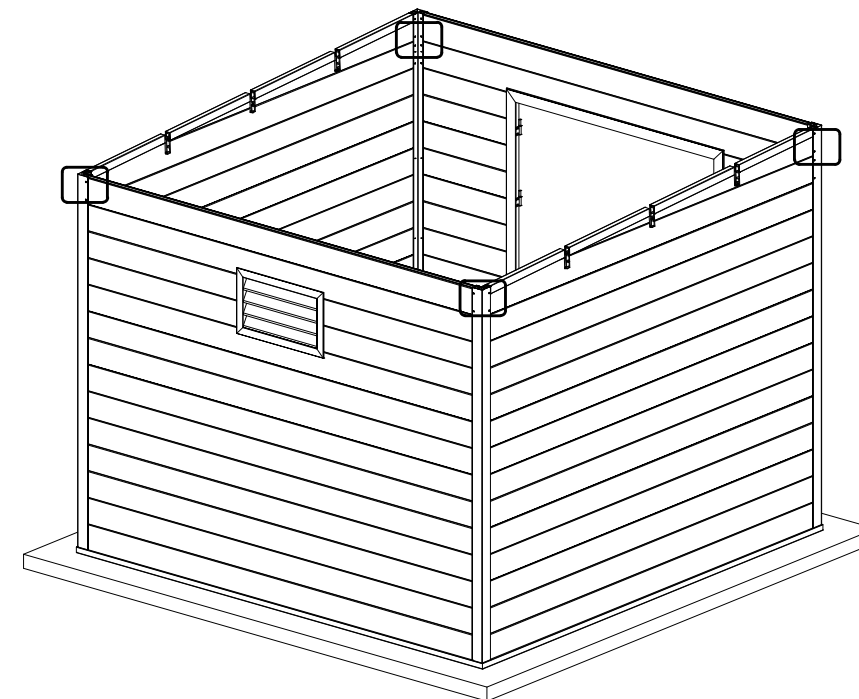
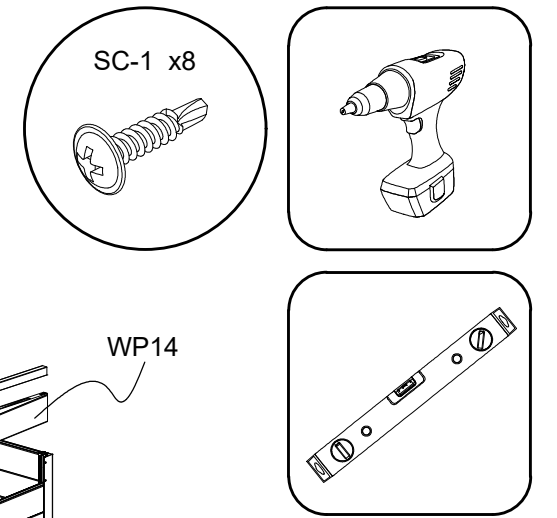
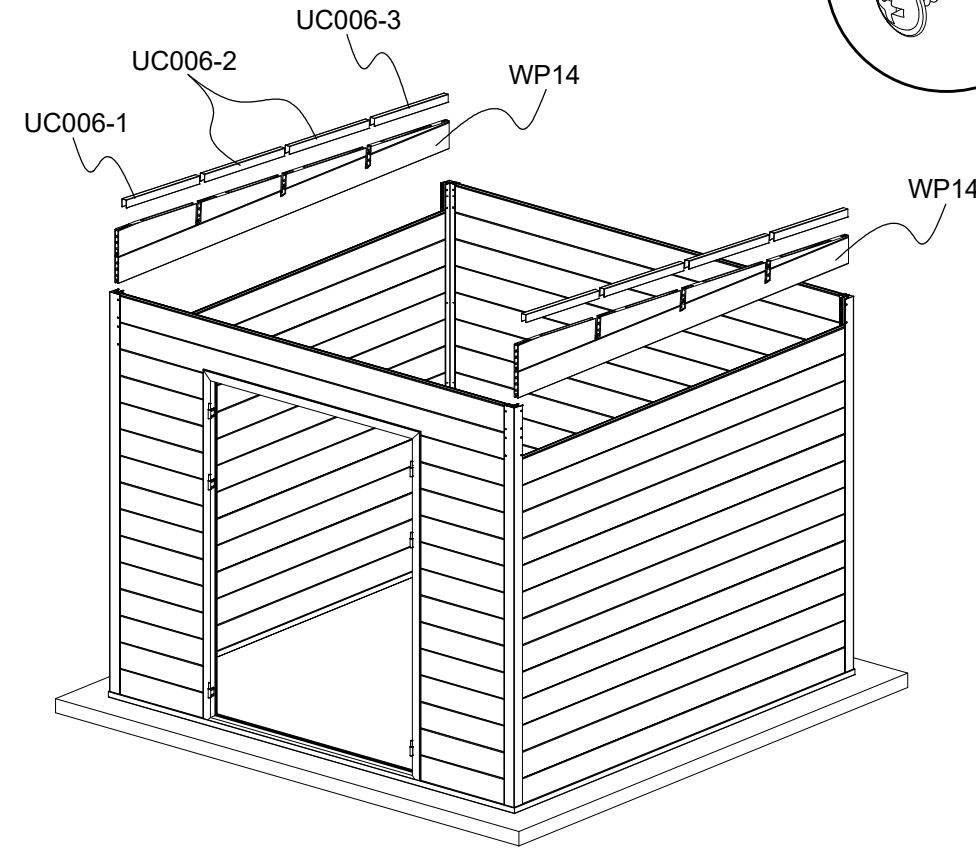
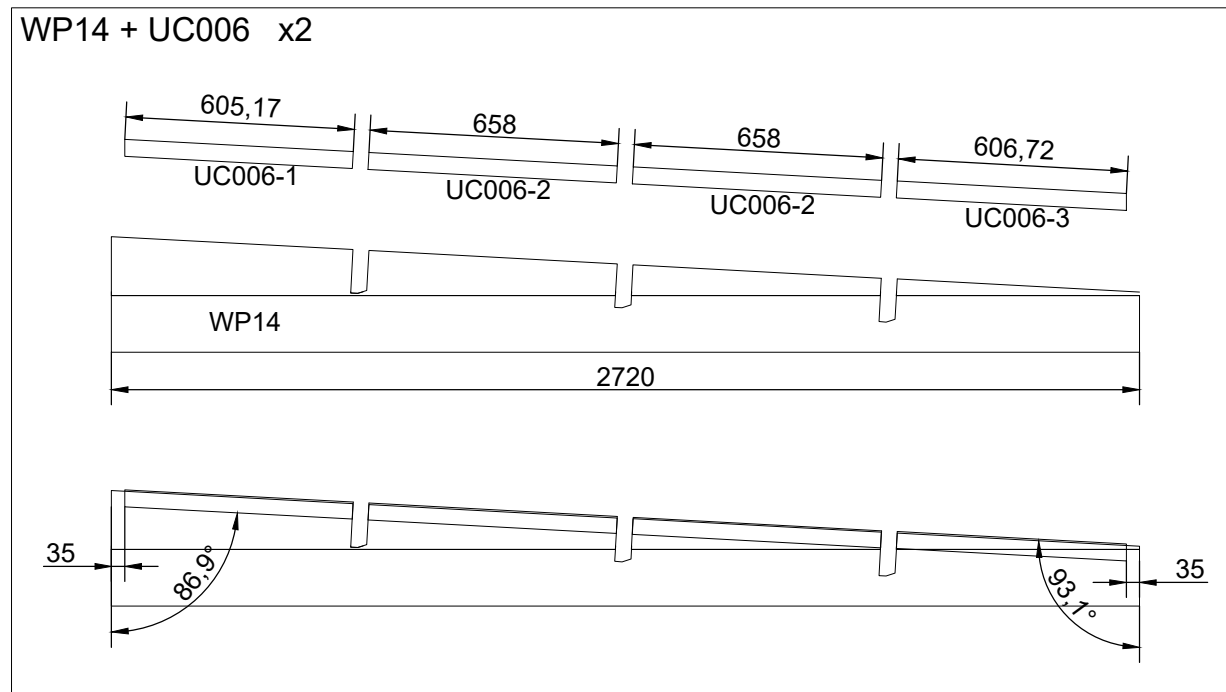
STEP 6 :



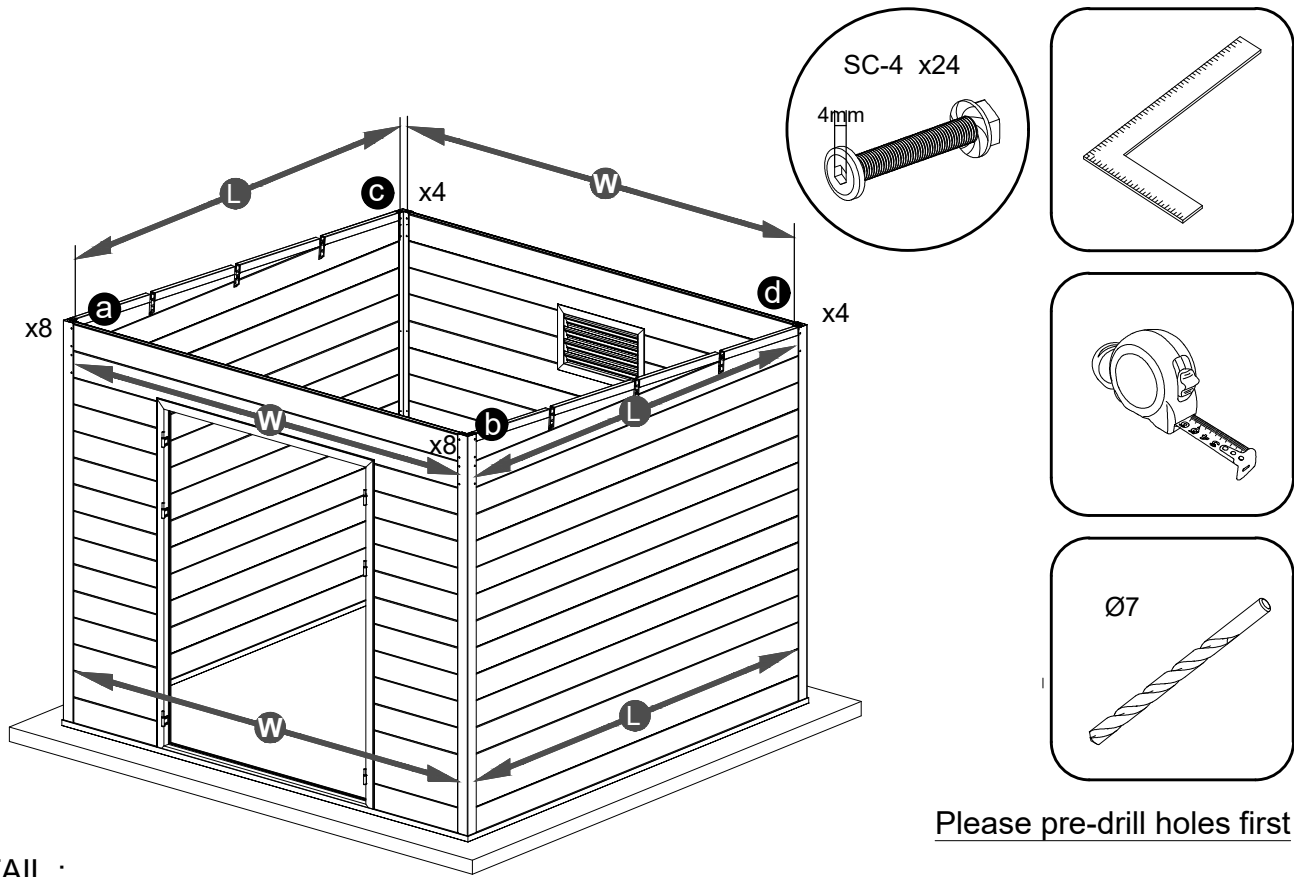
STEP 7 :



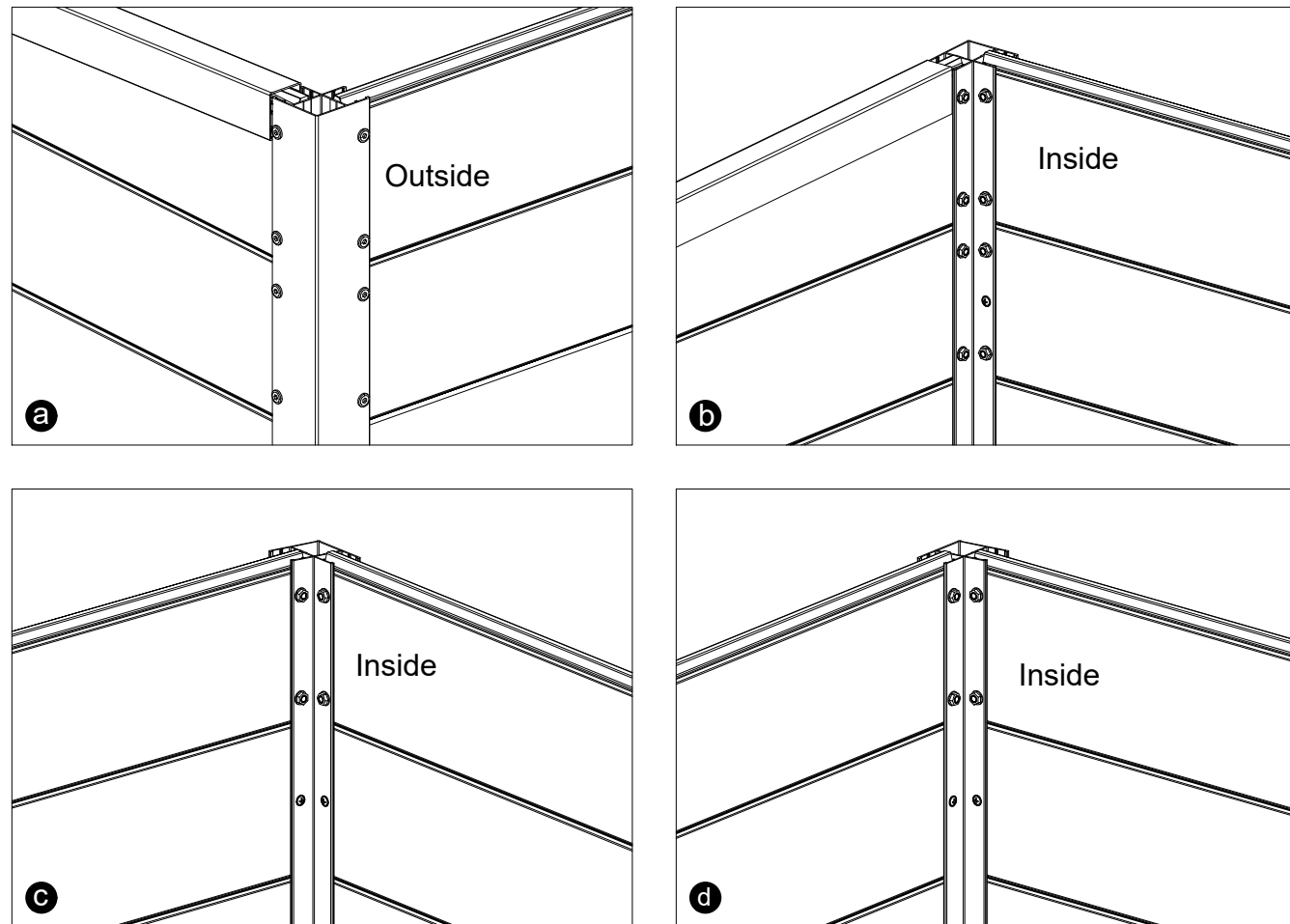
STEP 8 :



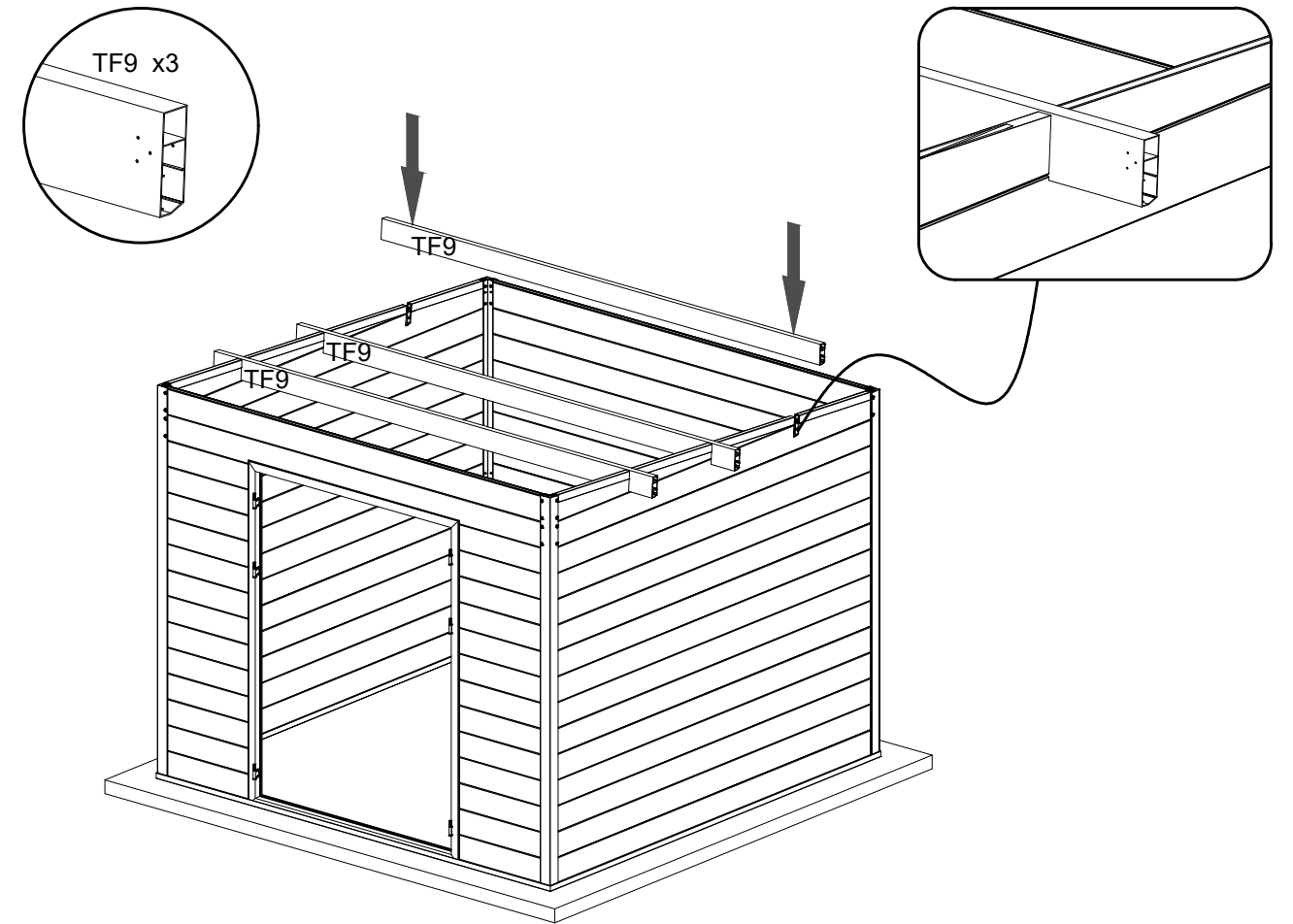
STEP 9 :



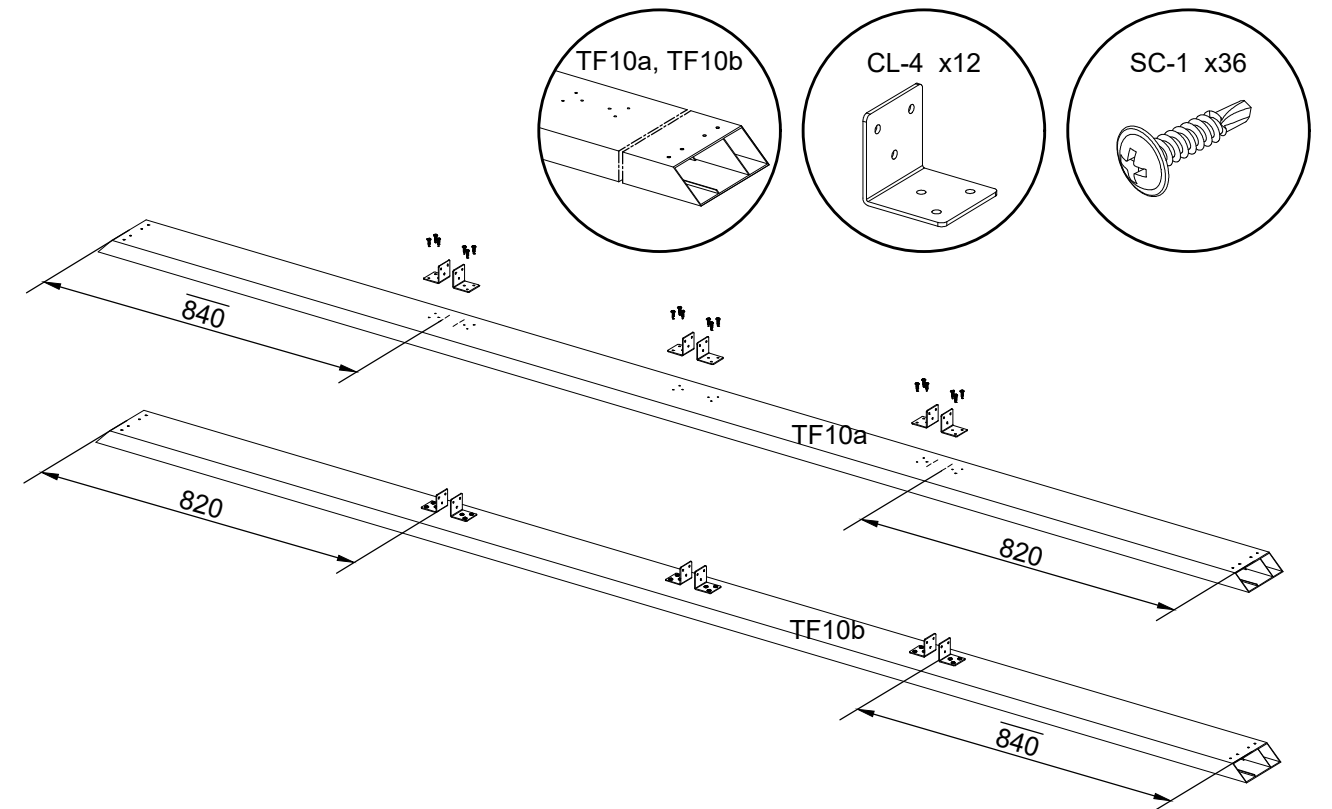
DETAIL :



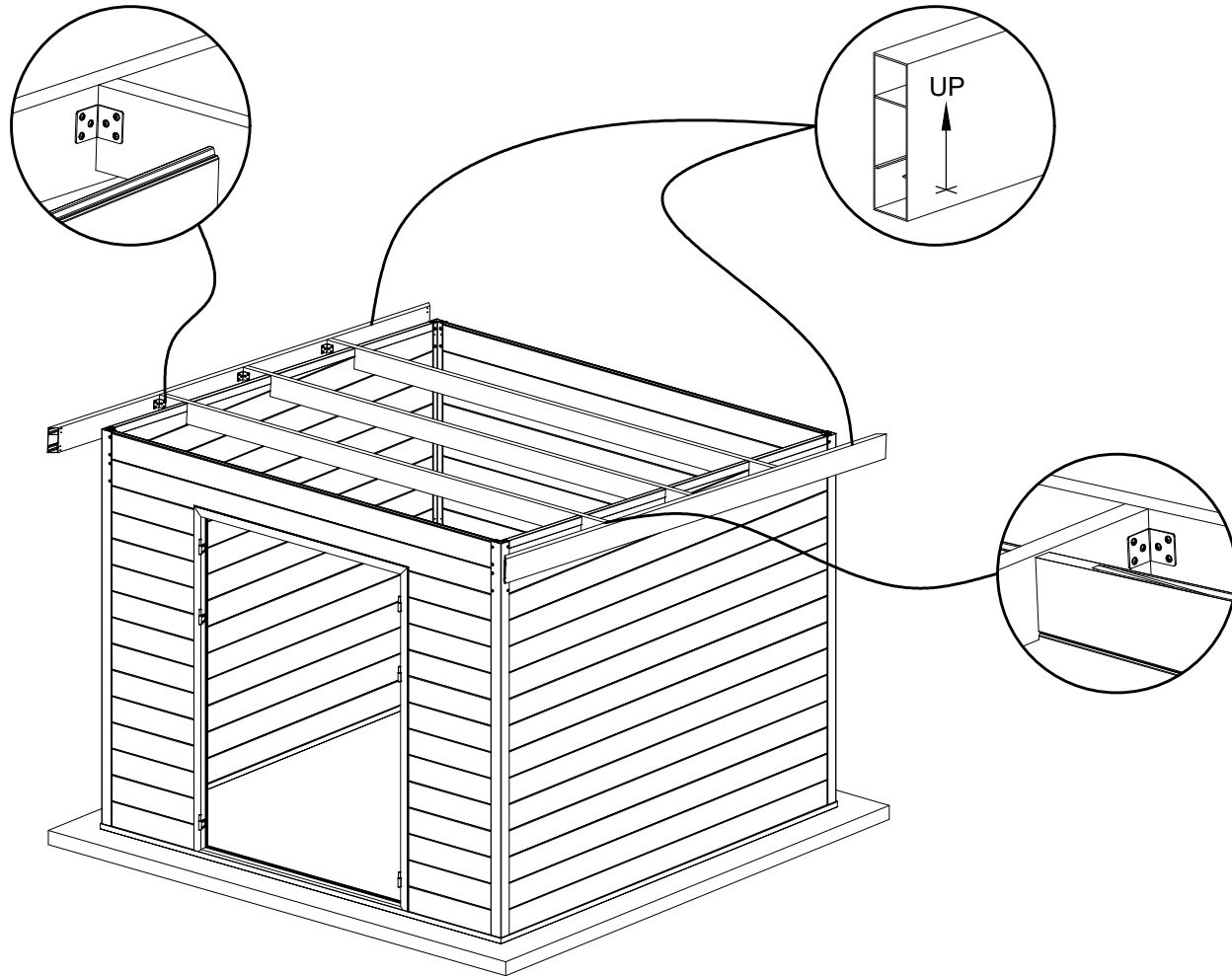
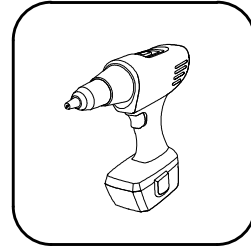
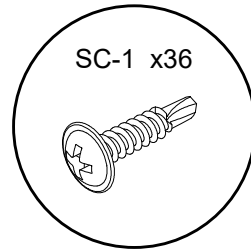
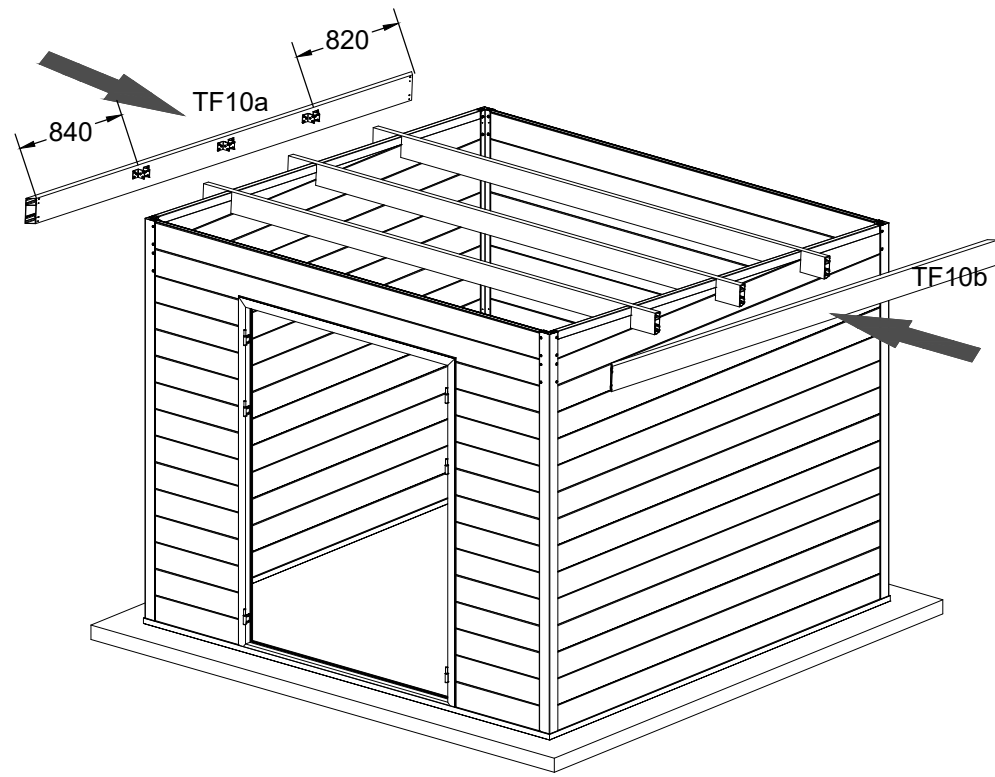
STEP 10 :



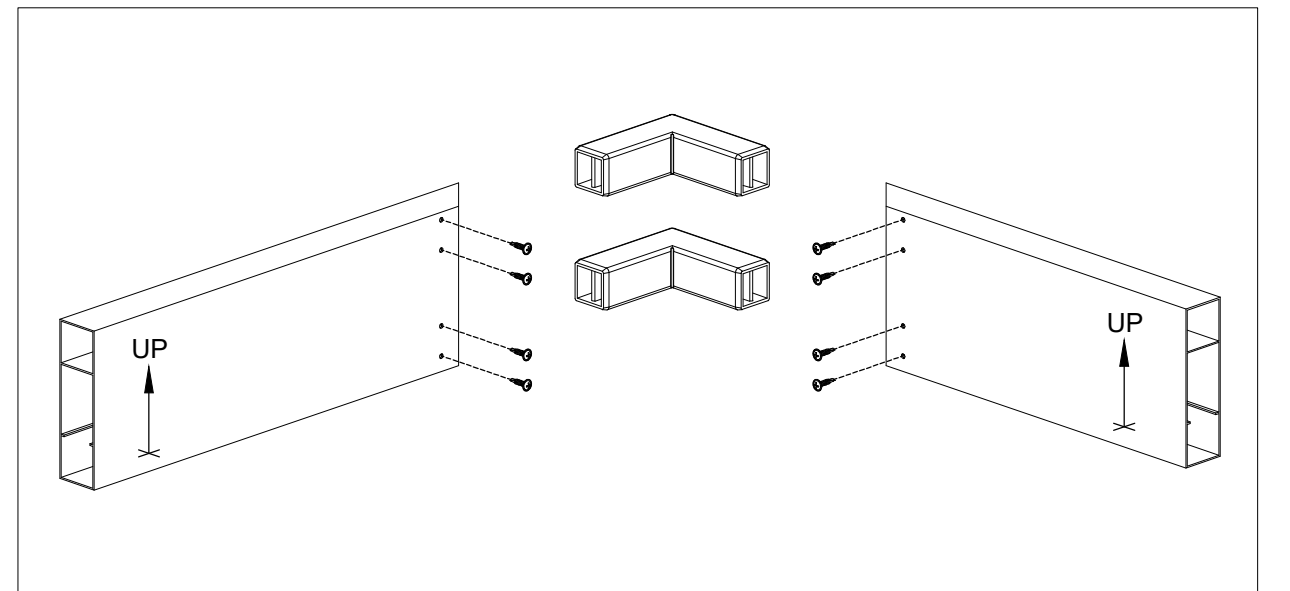
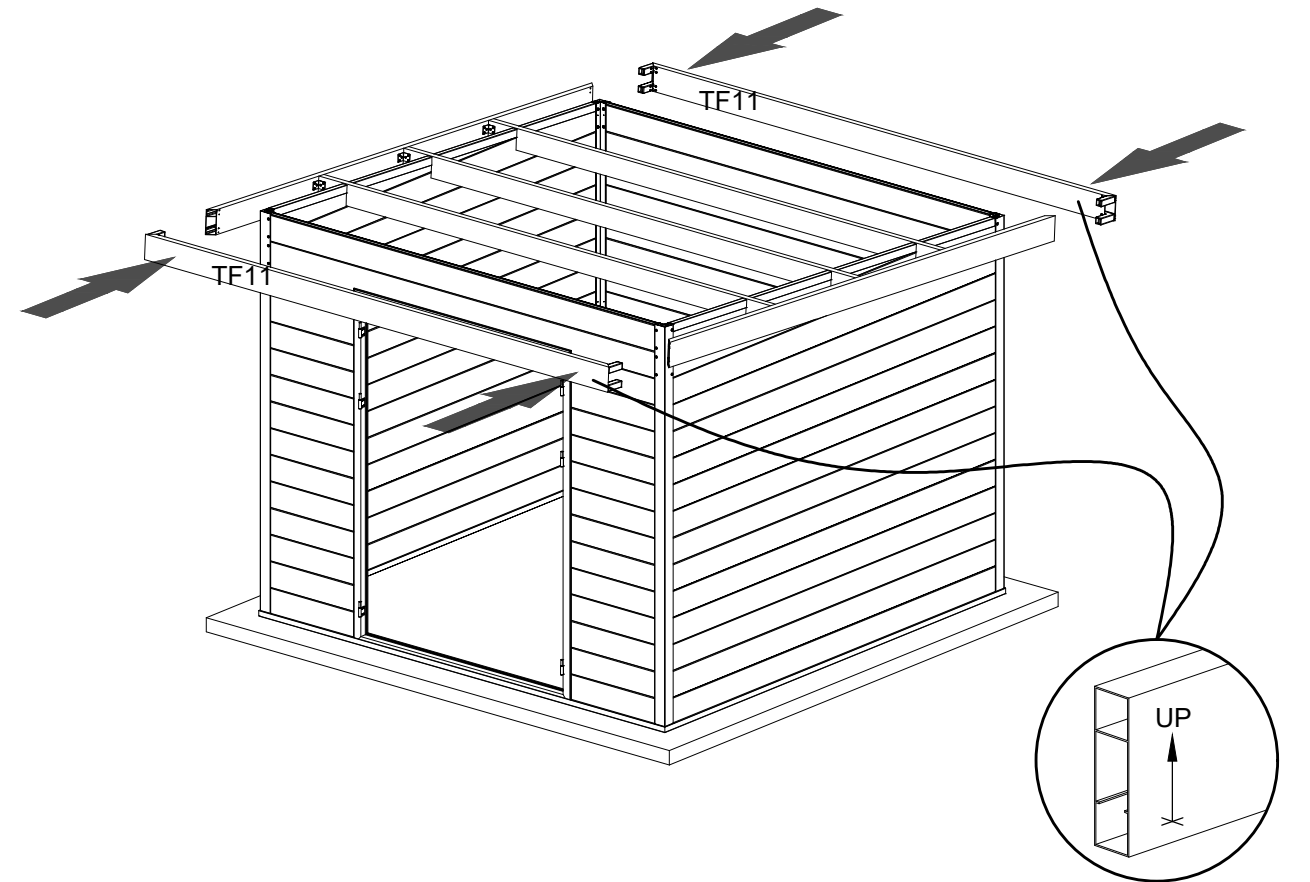
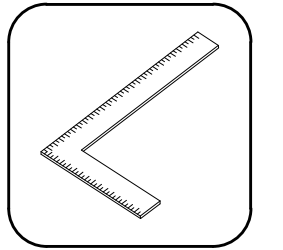
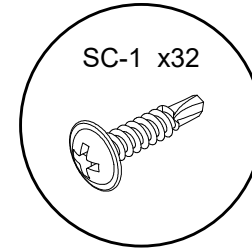
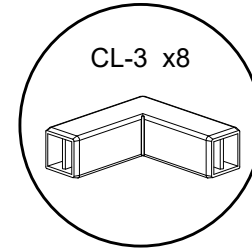
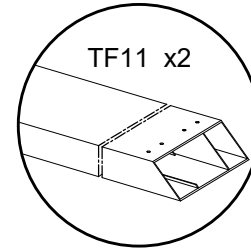
STEP 11 :



STEP 12 :

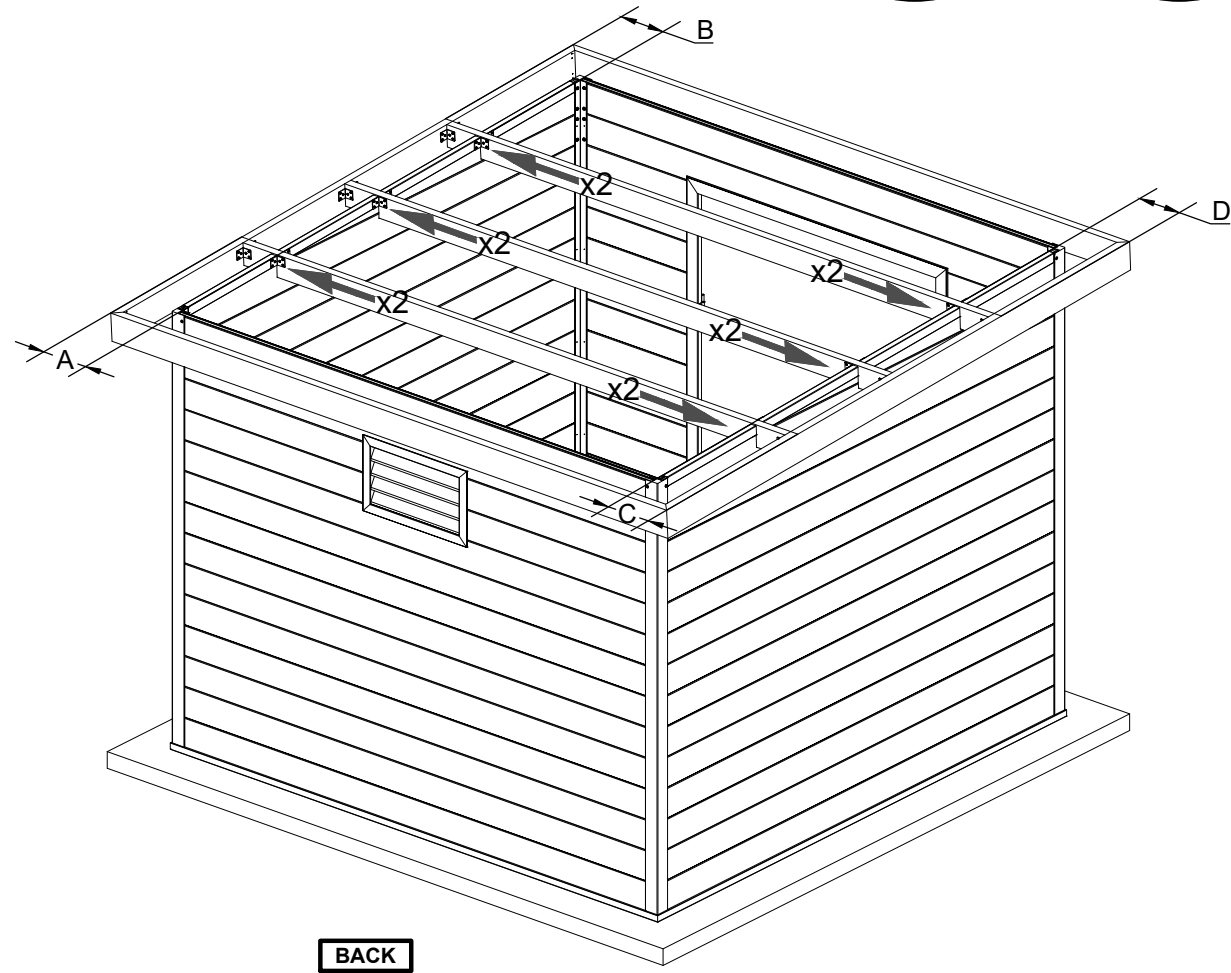
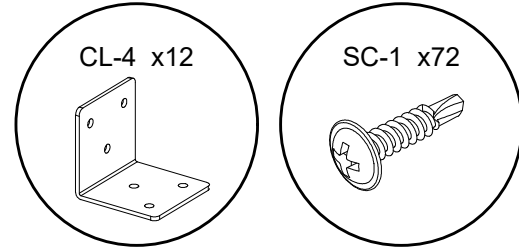


STEP 13 :

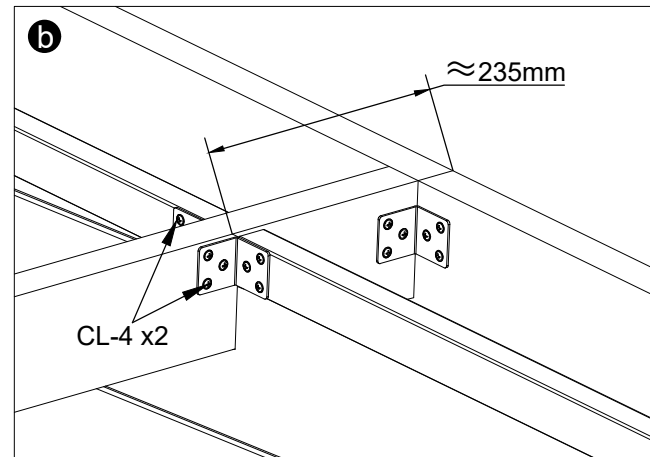
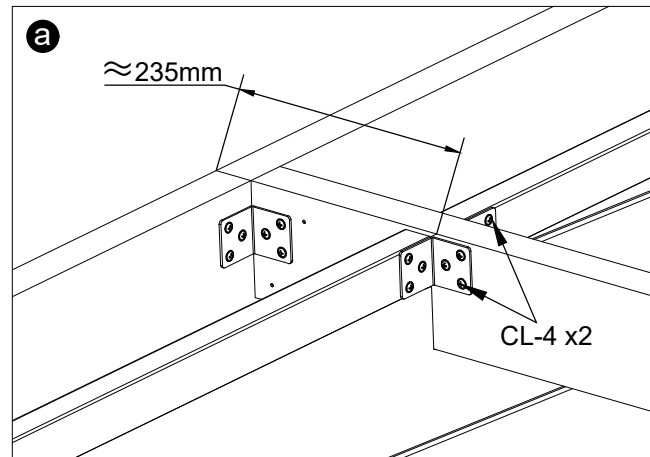


STEP 14 : Connecting Together

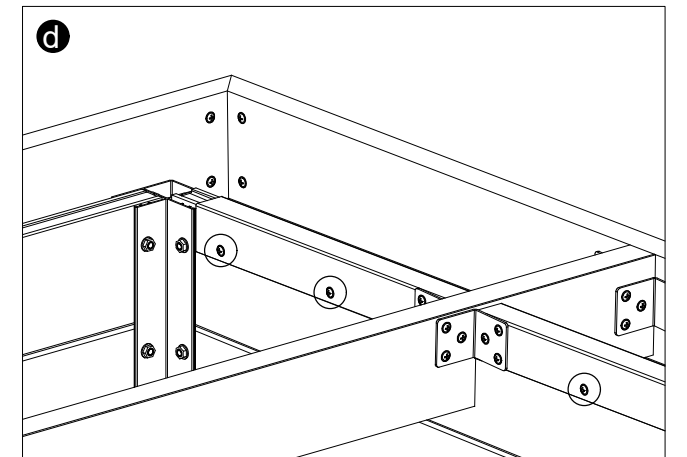
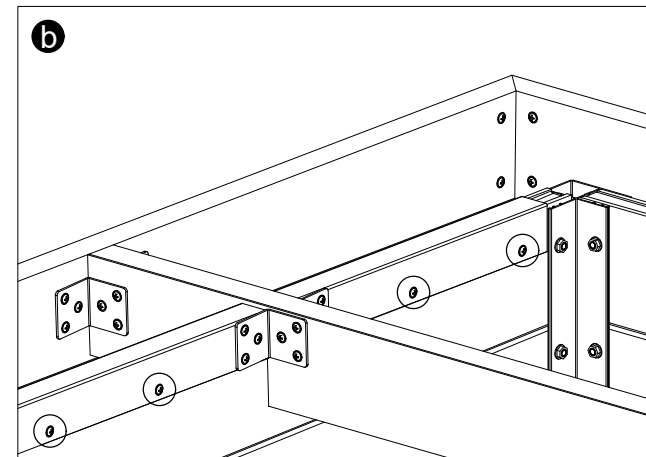
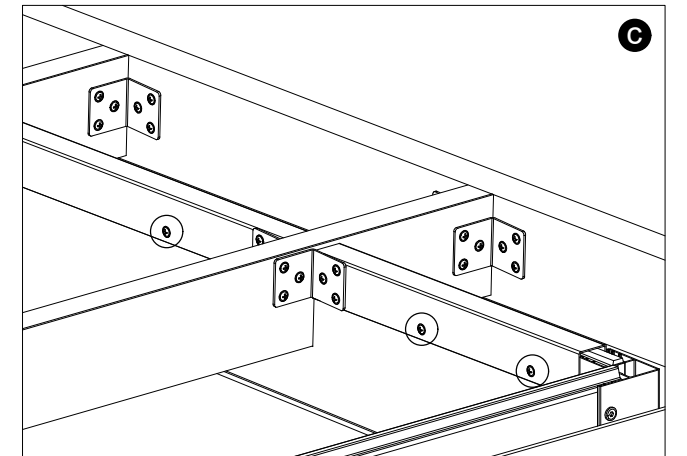
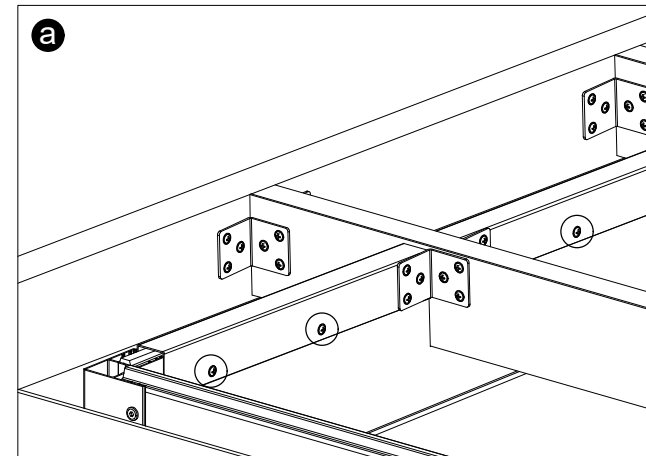
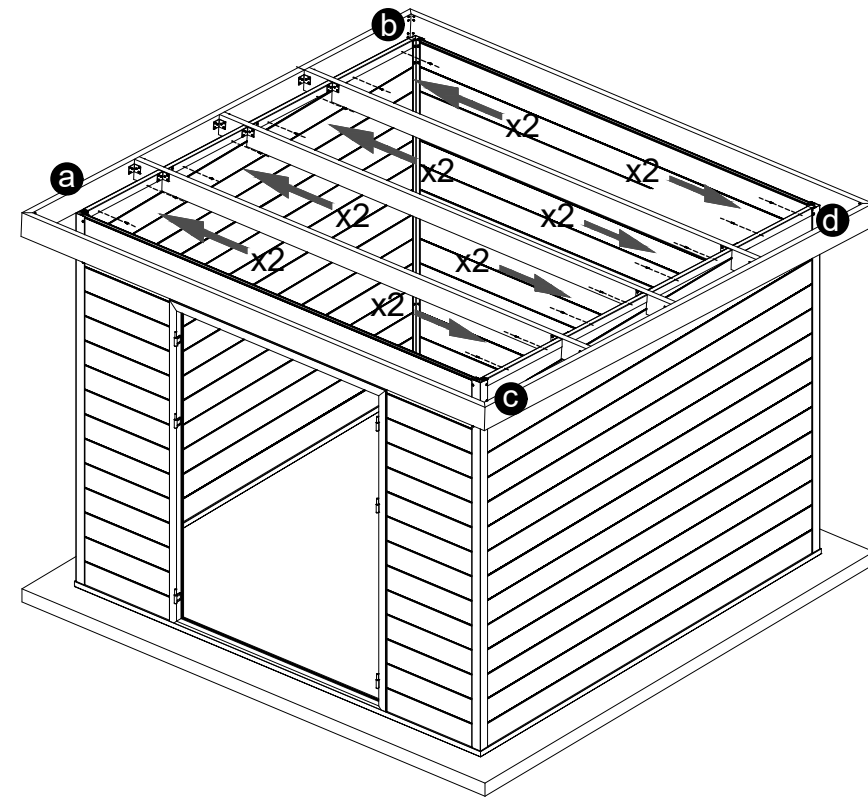
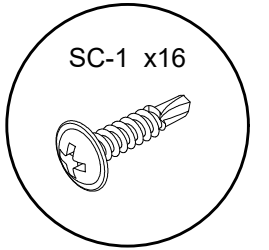
A = B = C = D ≈ 235mm



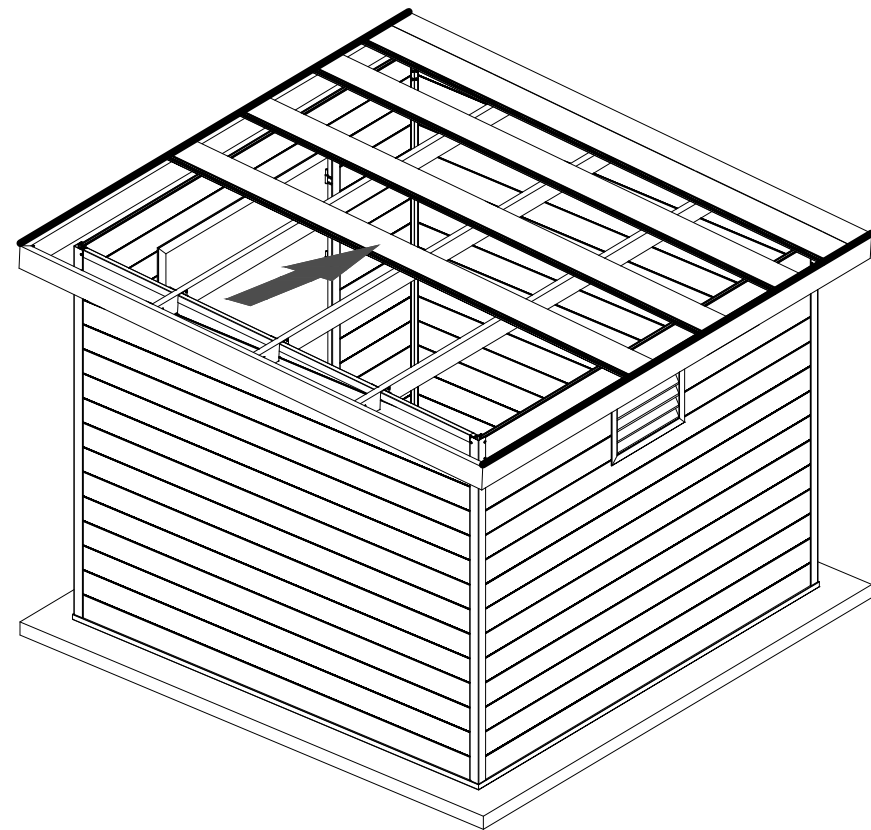
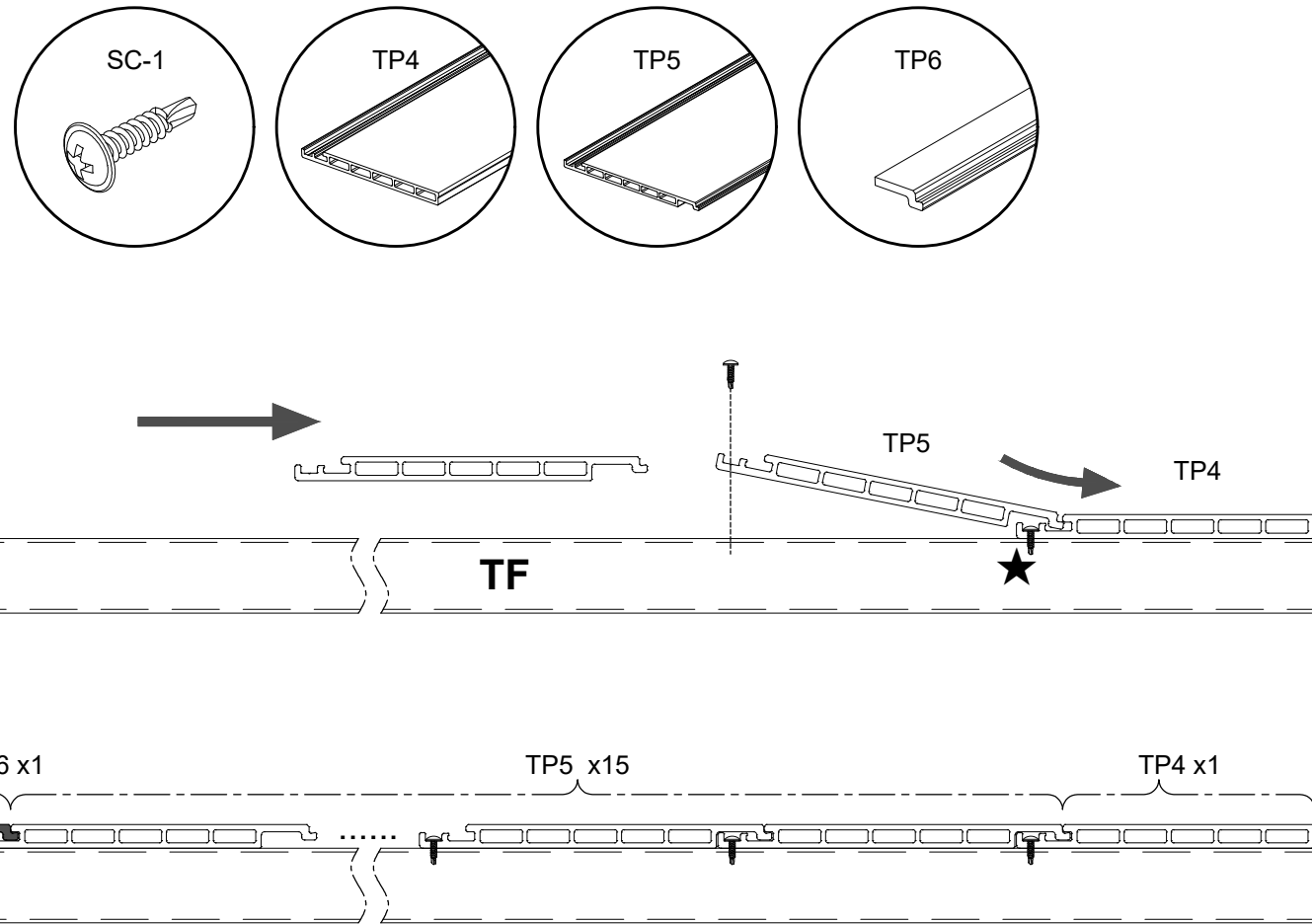
BACK



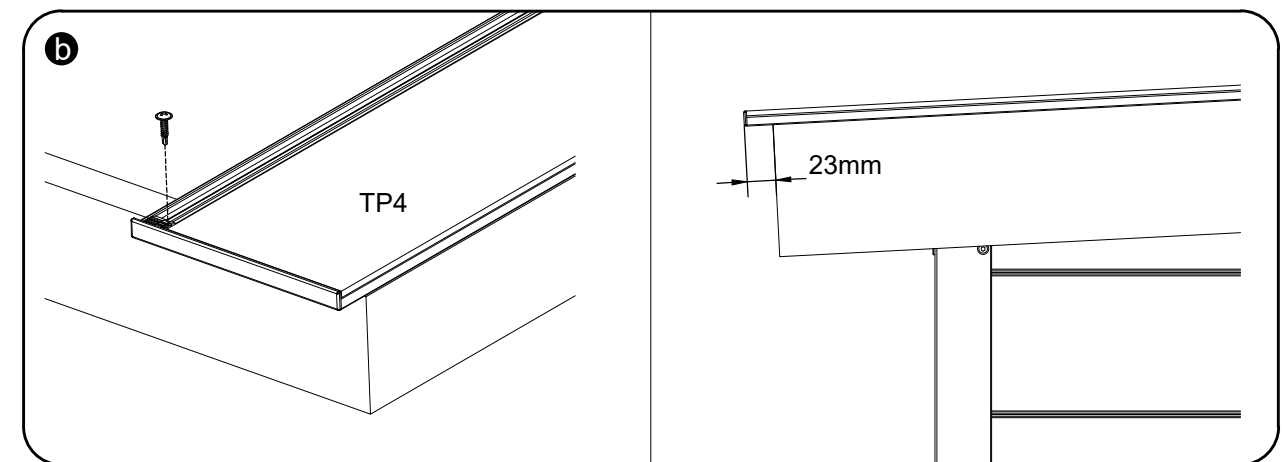
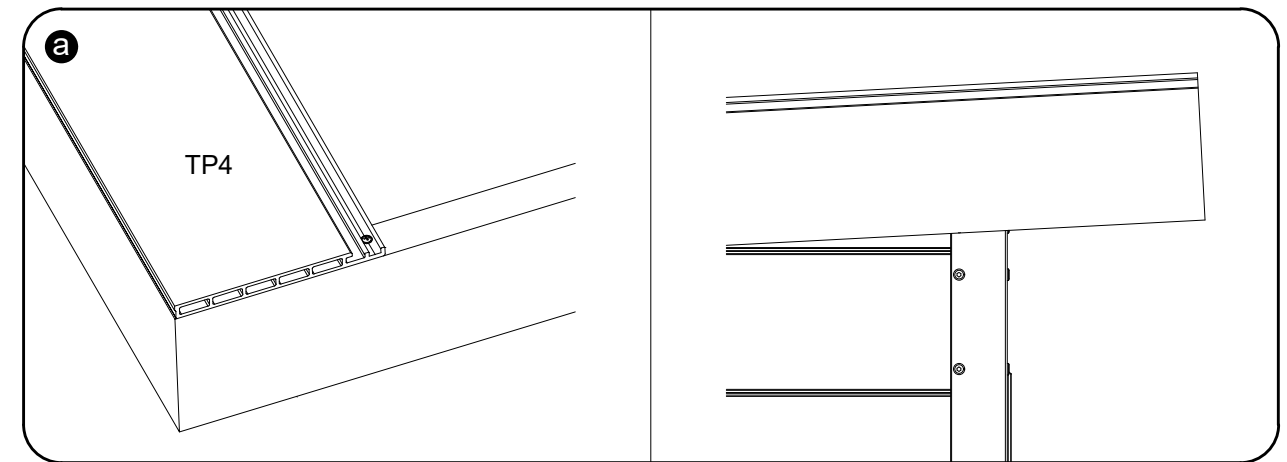
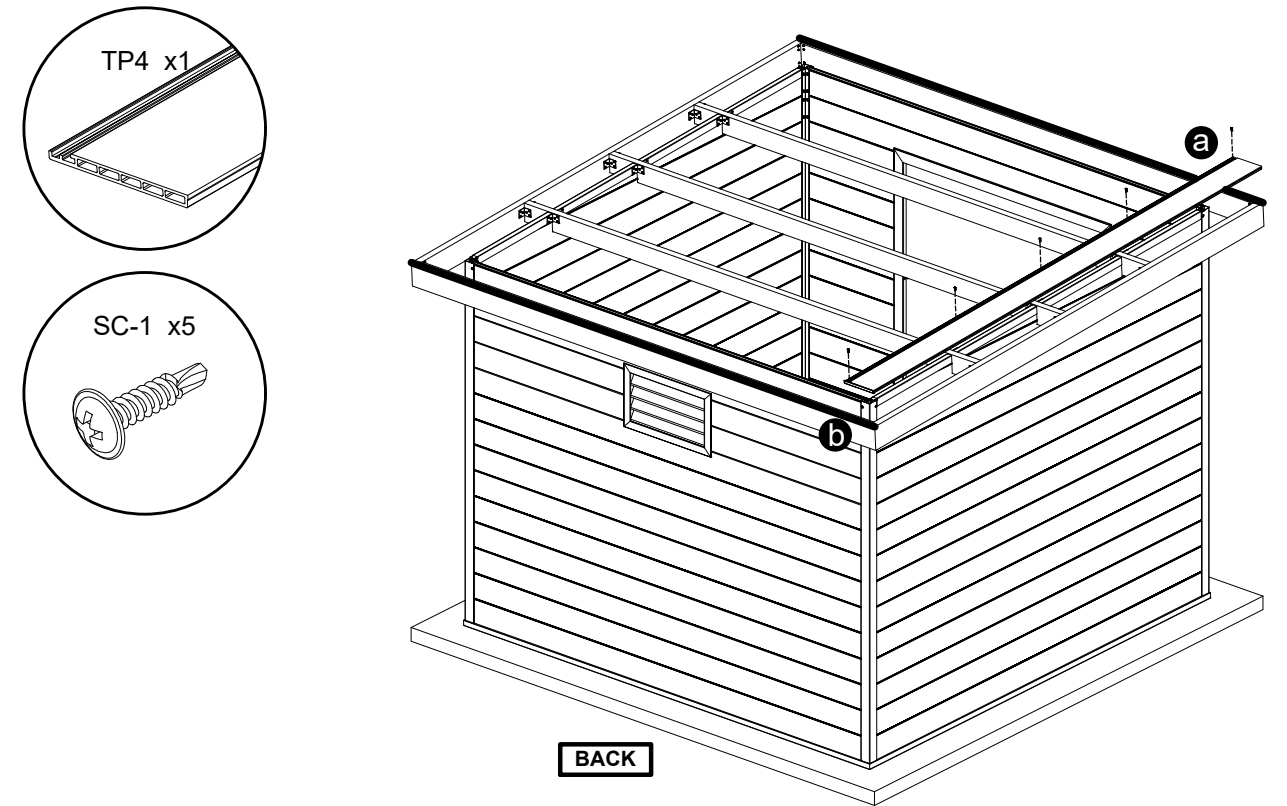
STEP 15 : Strengthening connections



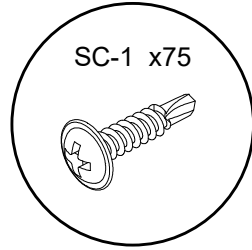
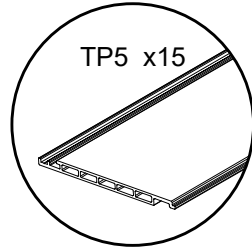
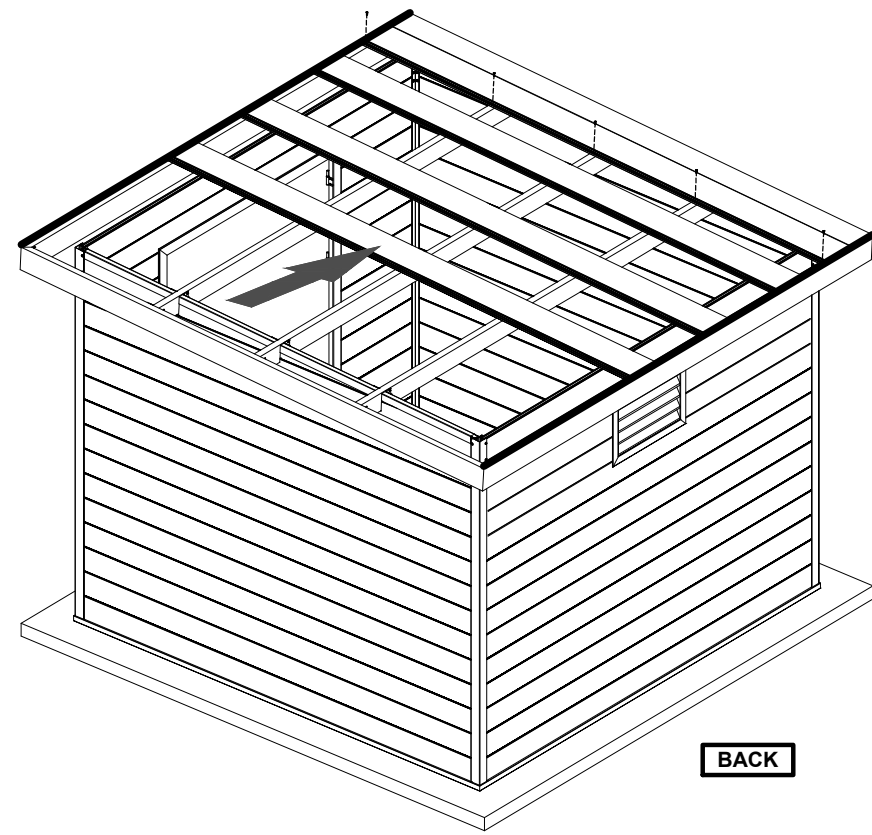
The top roof panel.



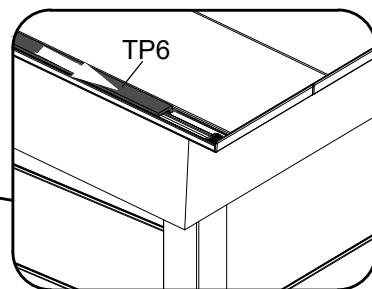
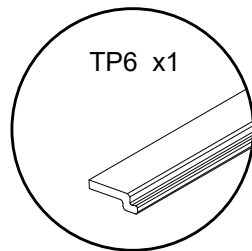
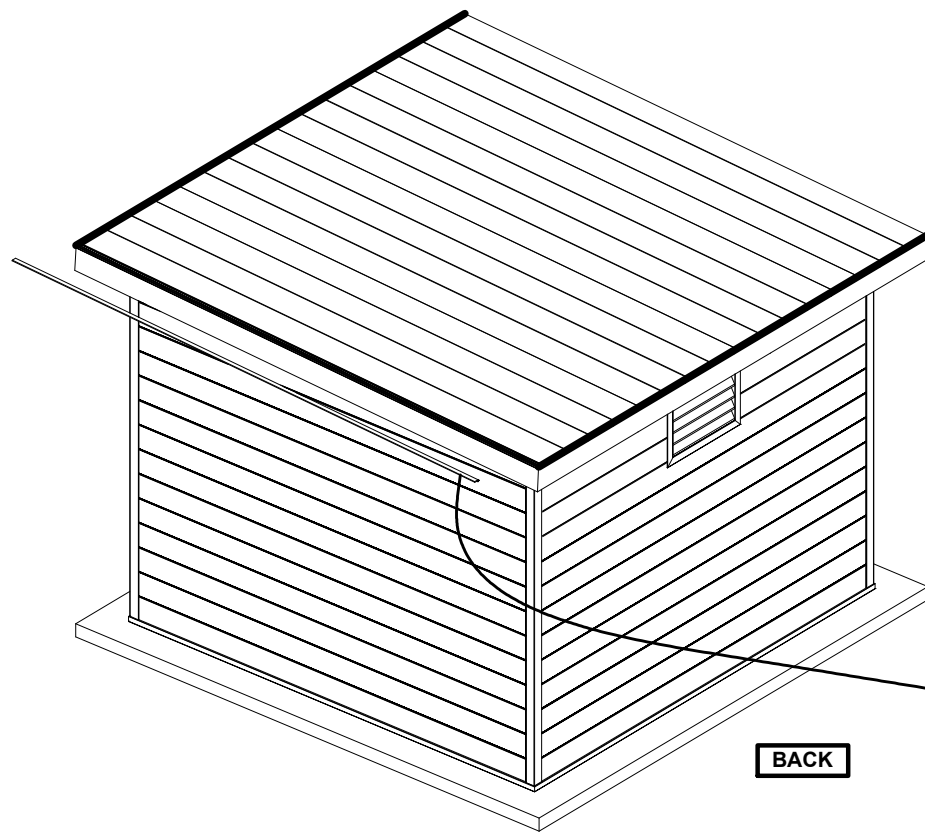
STEP 16 : The installation of top roof panel.



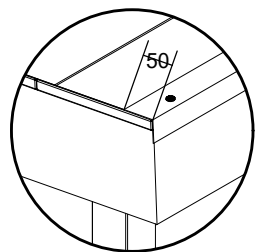
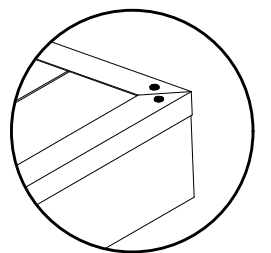
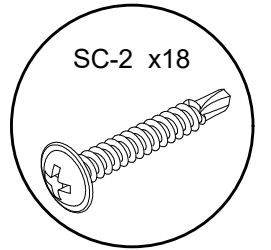
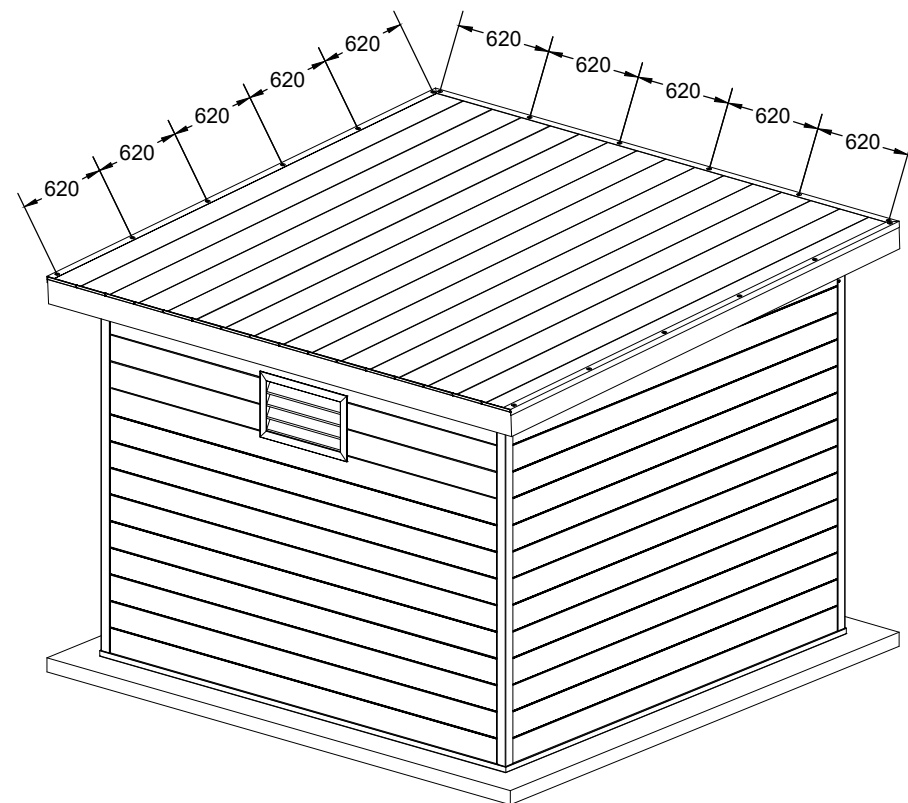
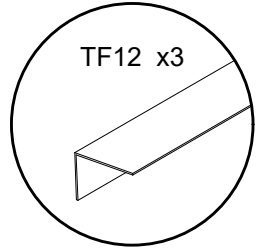
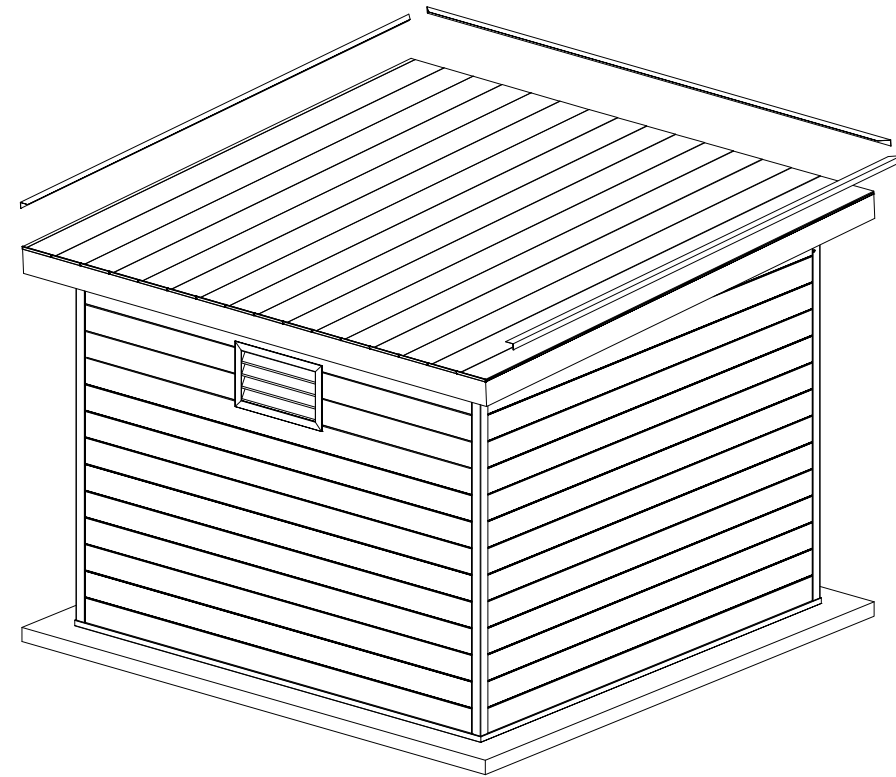
STEP 17 :



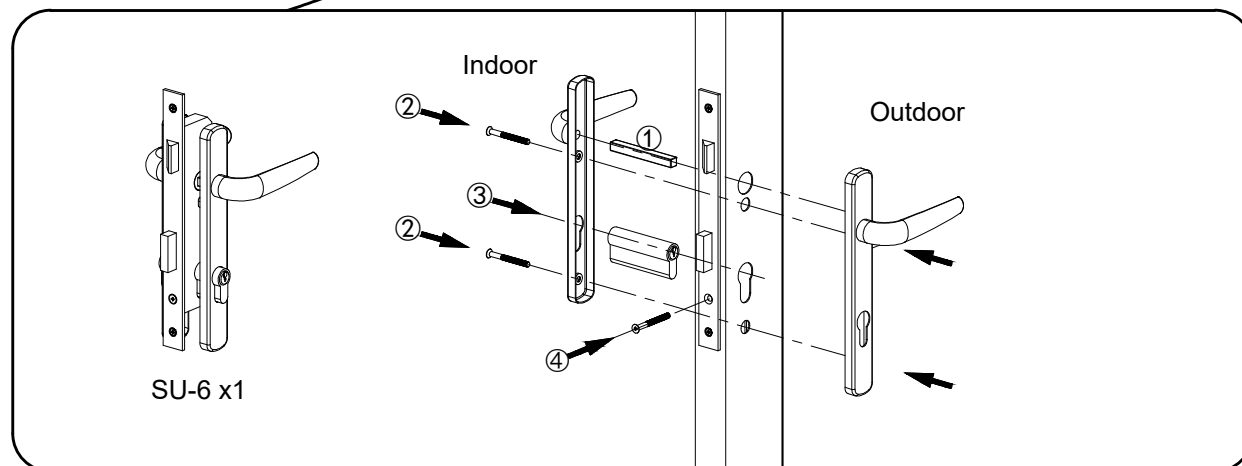
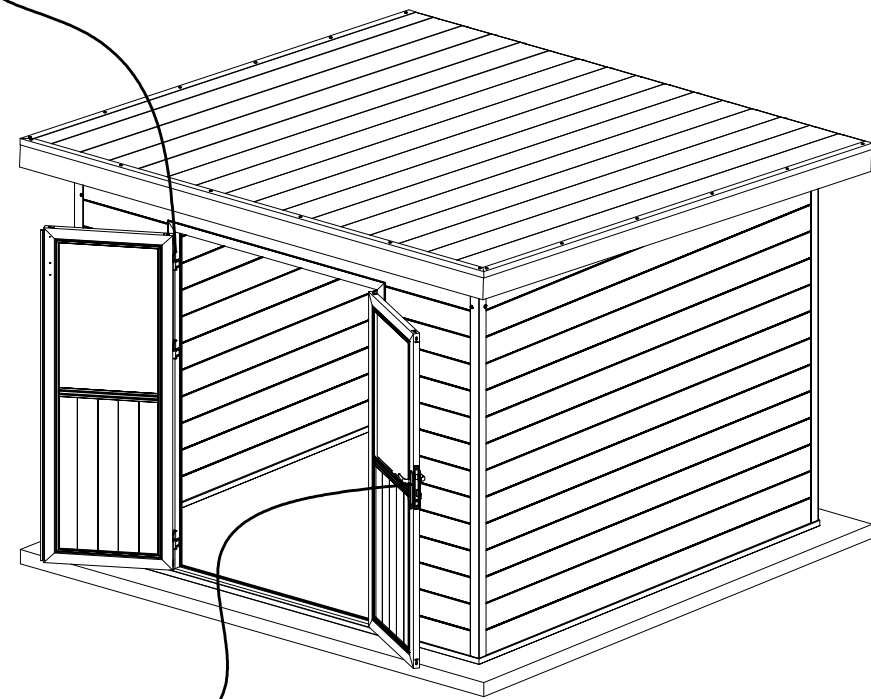
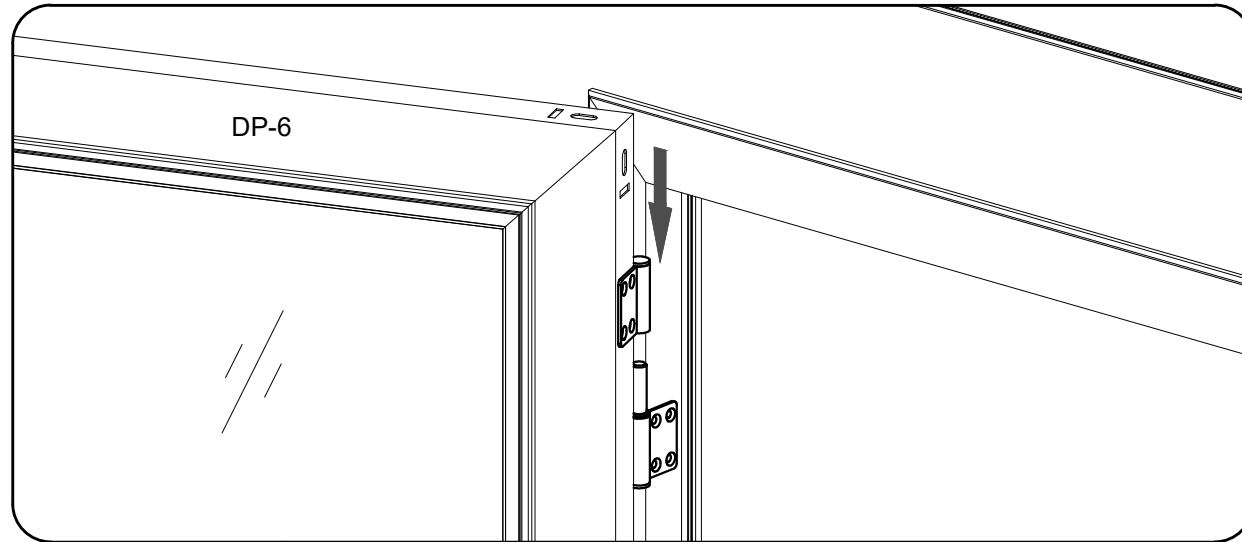
STEP 18 :



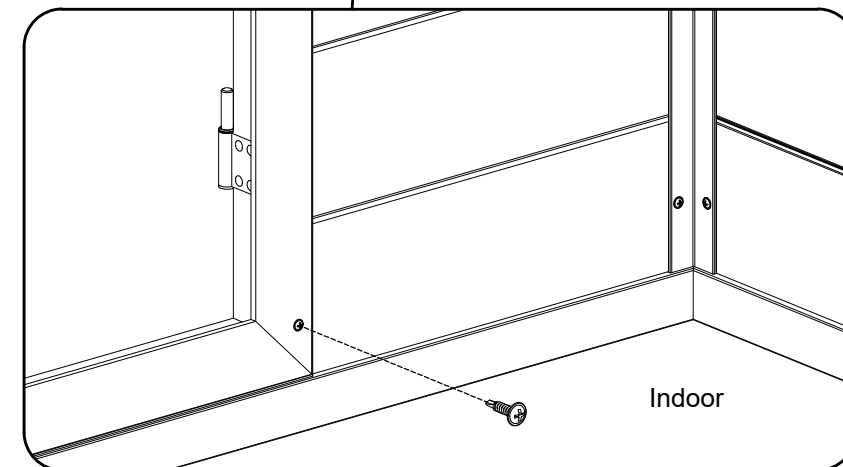
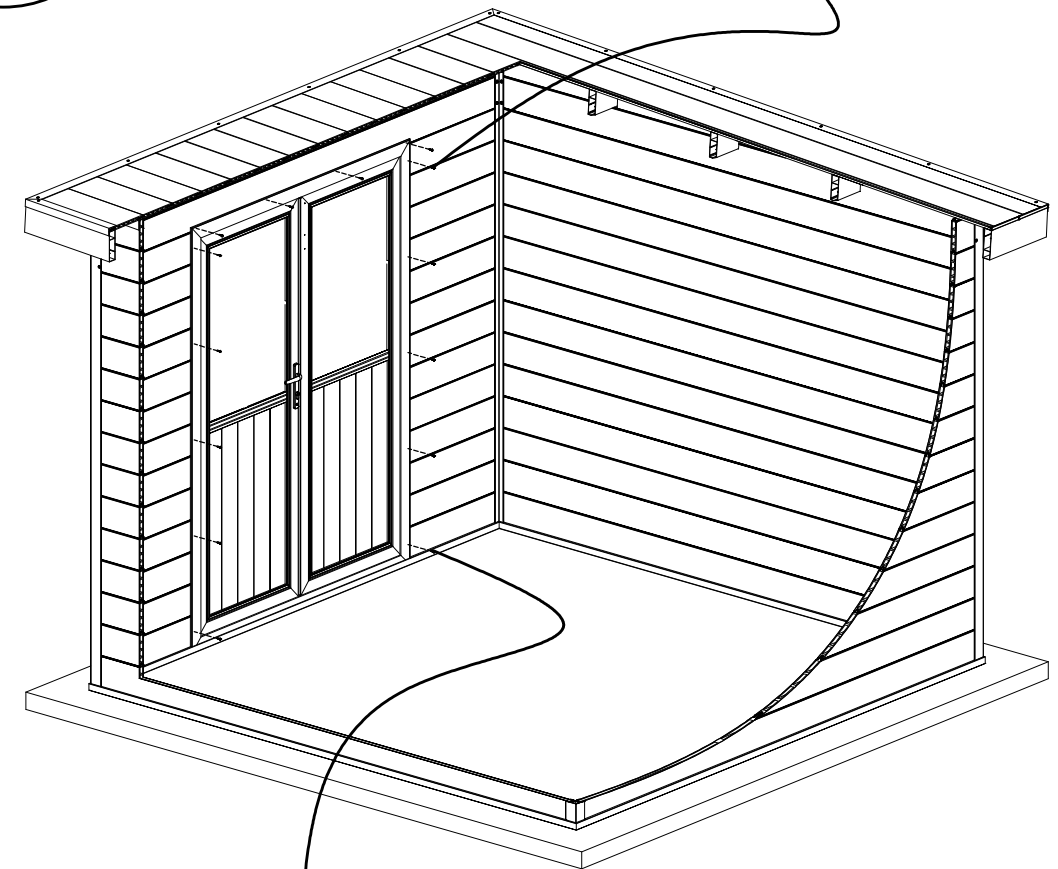
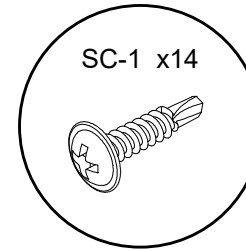
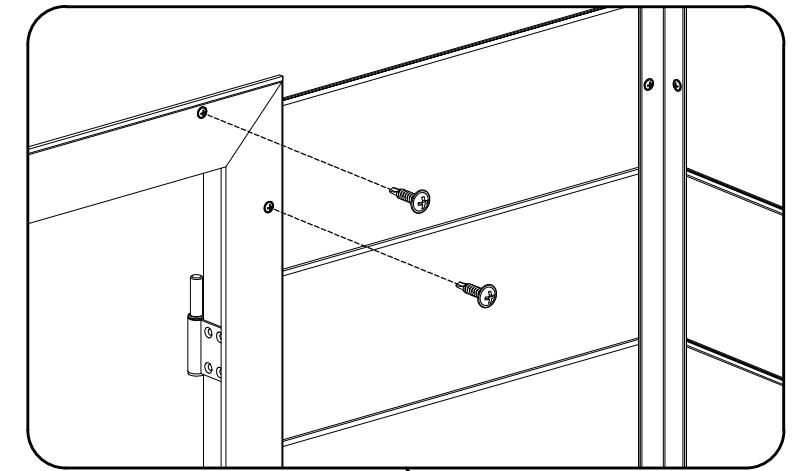
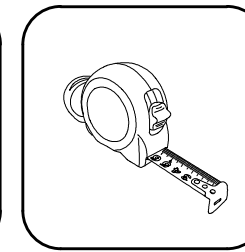
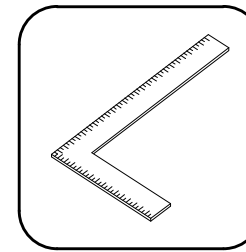
STEP 19:



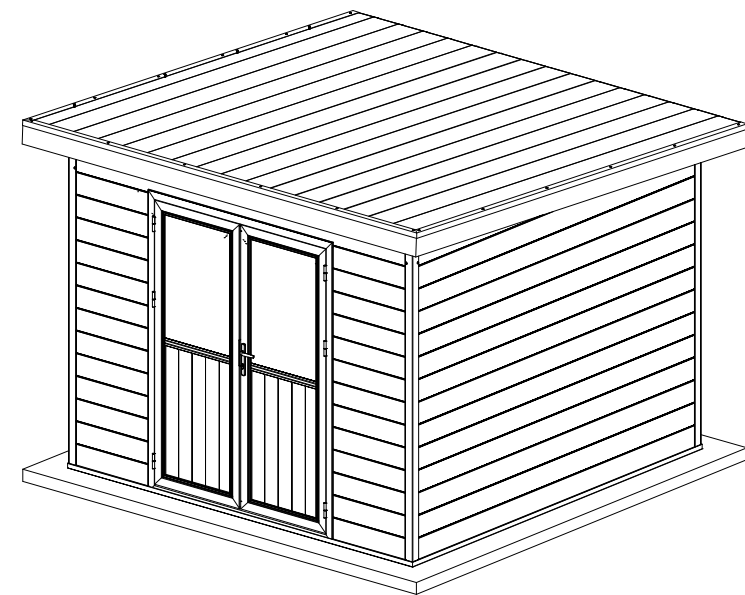
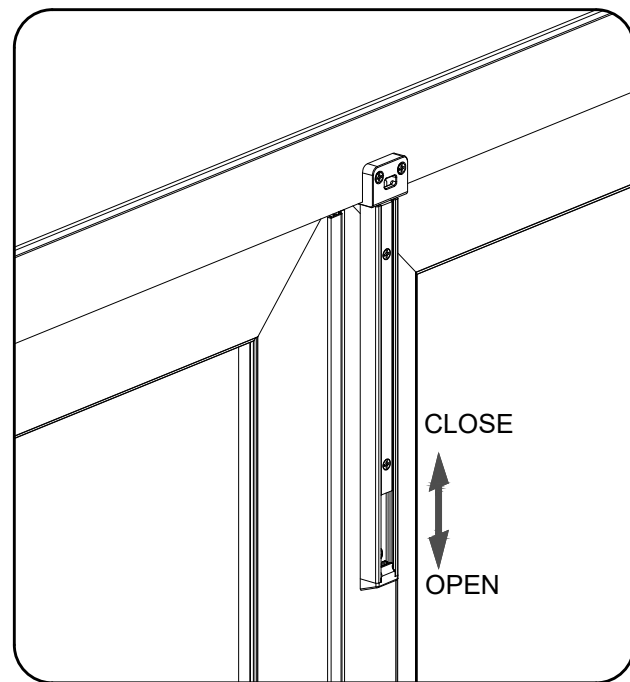
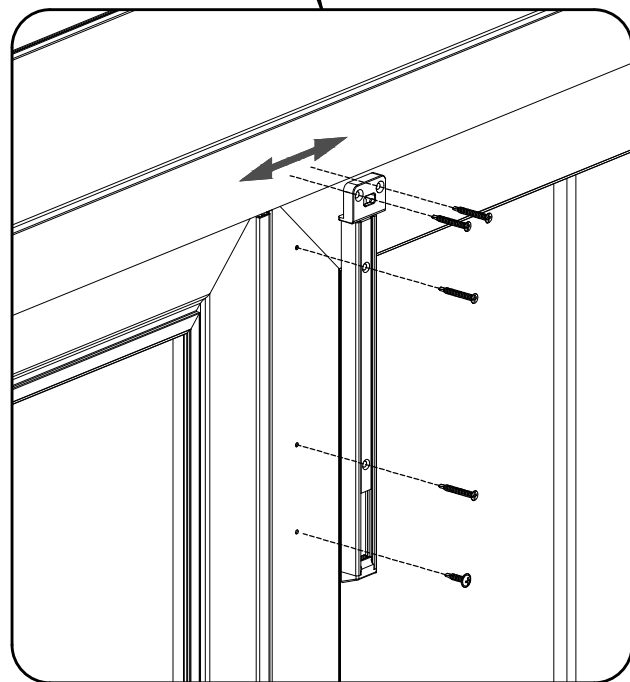
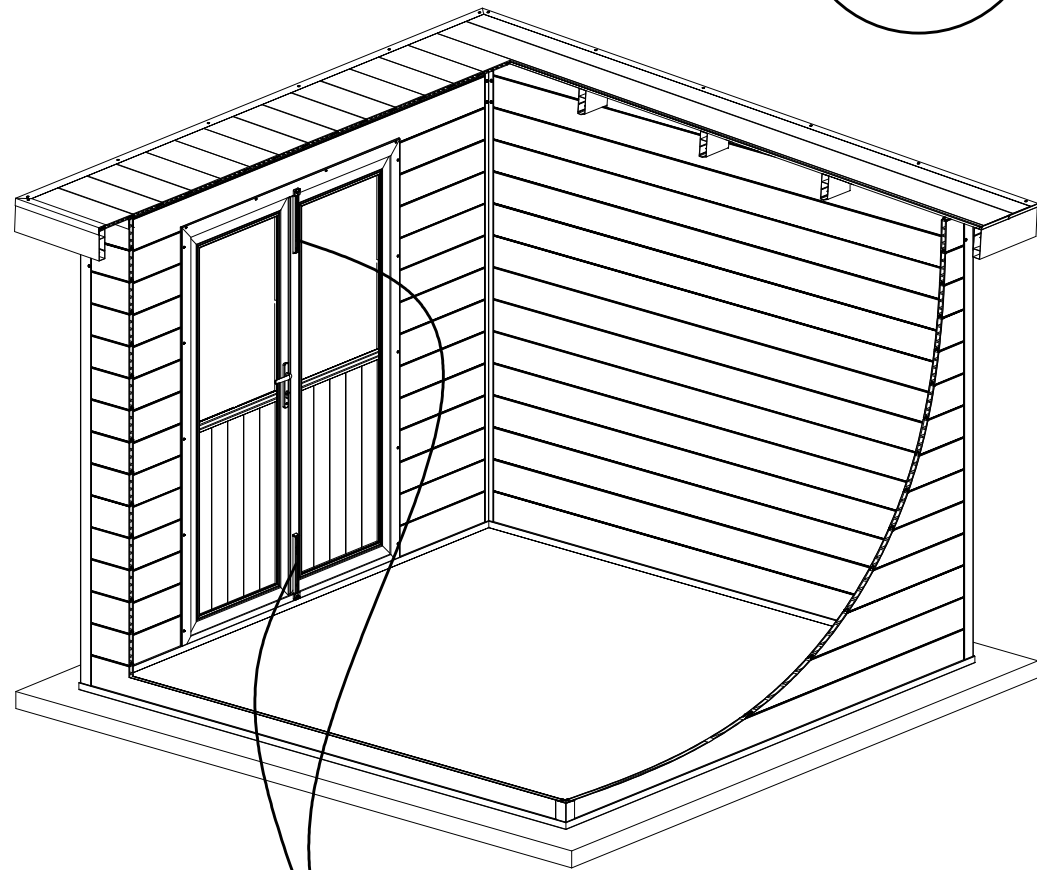
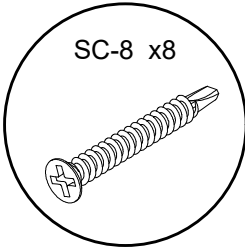
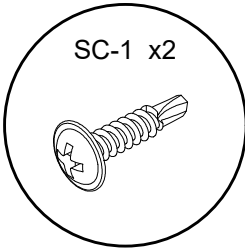
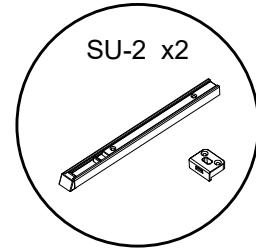
STEP 20 : DOOR and LOCK



STEP 21 : Connecting Together



STEP 22 :

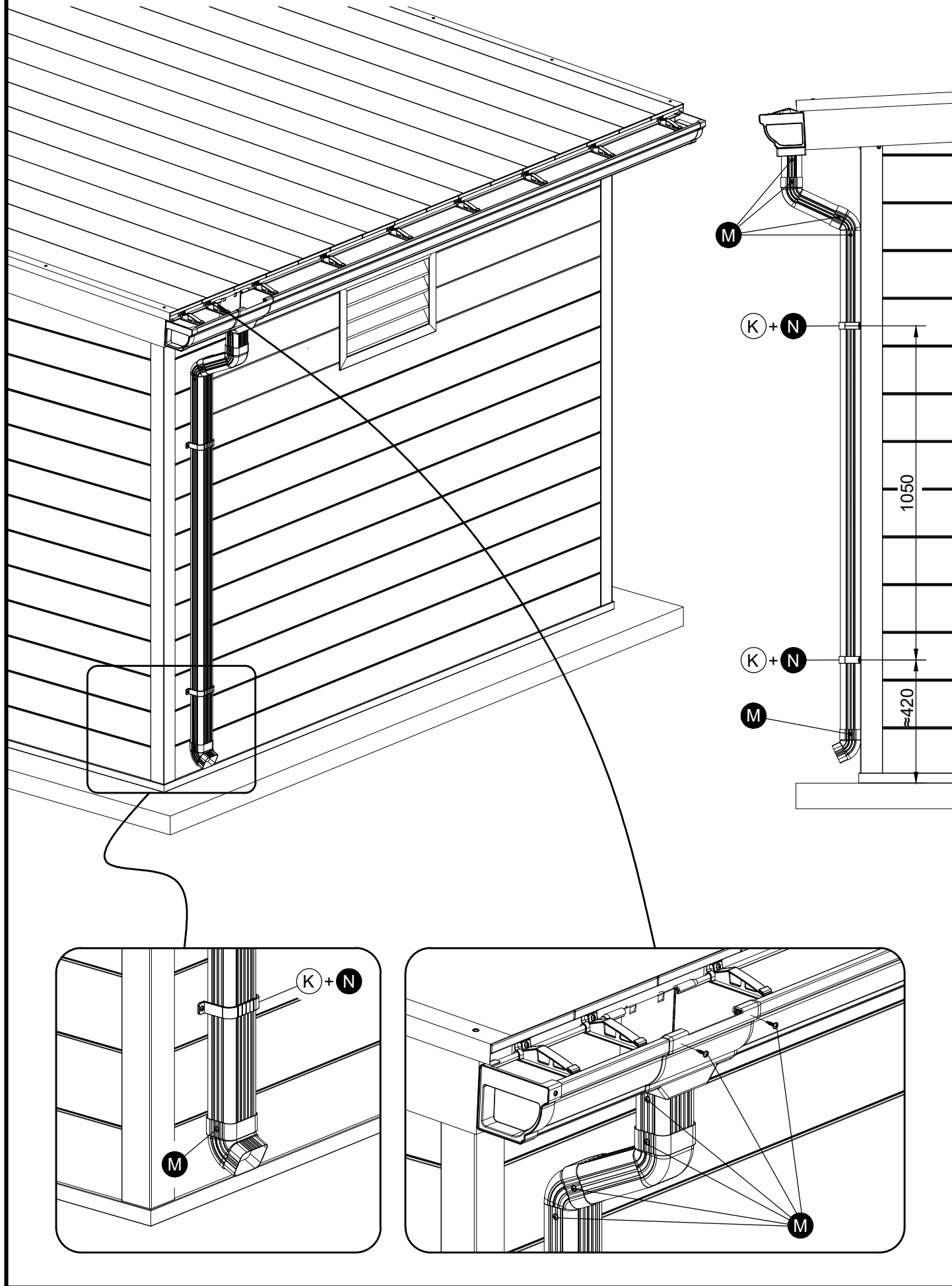


Optional accessory: Gutter System

(A)		L=2730mm	1
(B)		L=330mm	1
(C)		/	1
(D)		/	1+1
(E)		/	9
(F)			
(G)		L=100mm	1
(H)		L=155mm	1
(I)		L=1600mm	1
(J)		/	3
(K)		/	2
(L)		M4.2x50mm	12
(M)		M4.2x19mm	30
(N)		M4x25mm	6

Installation of Gutter

Installation of drainage pipe



Structural adhesive (not included)

