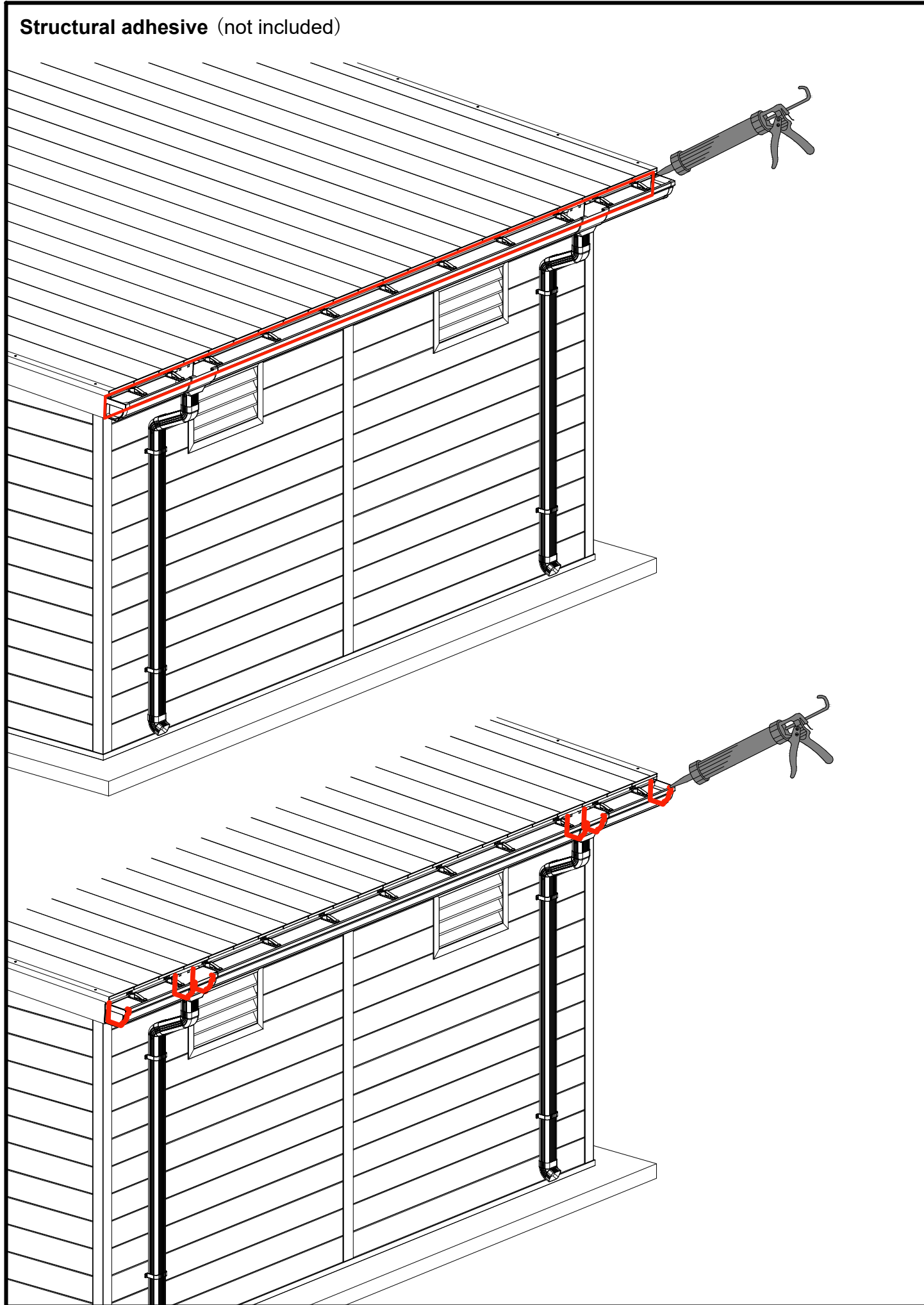


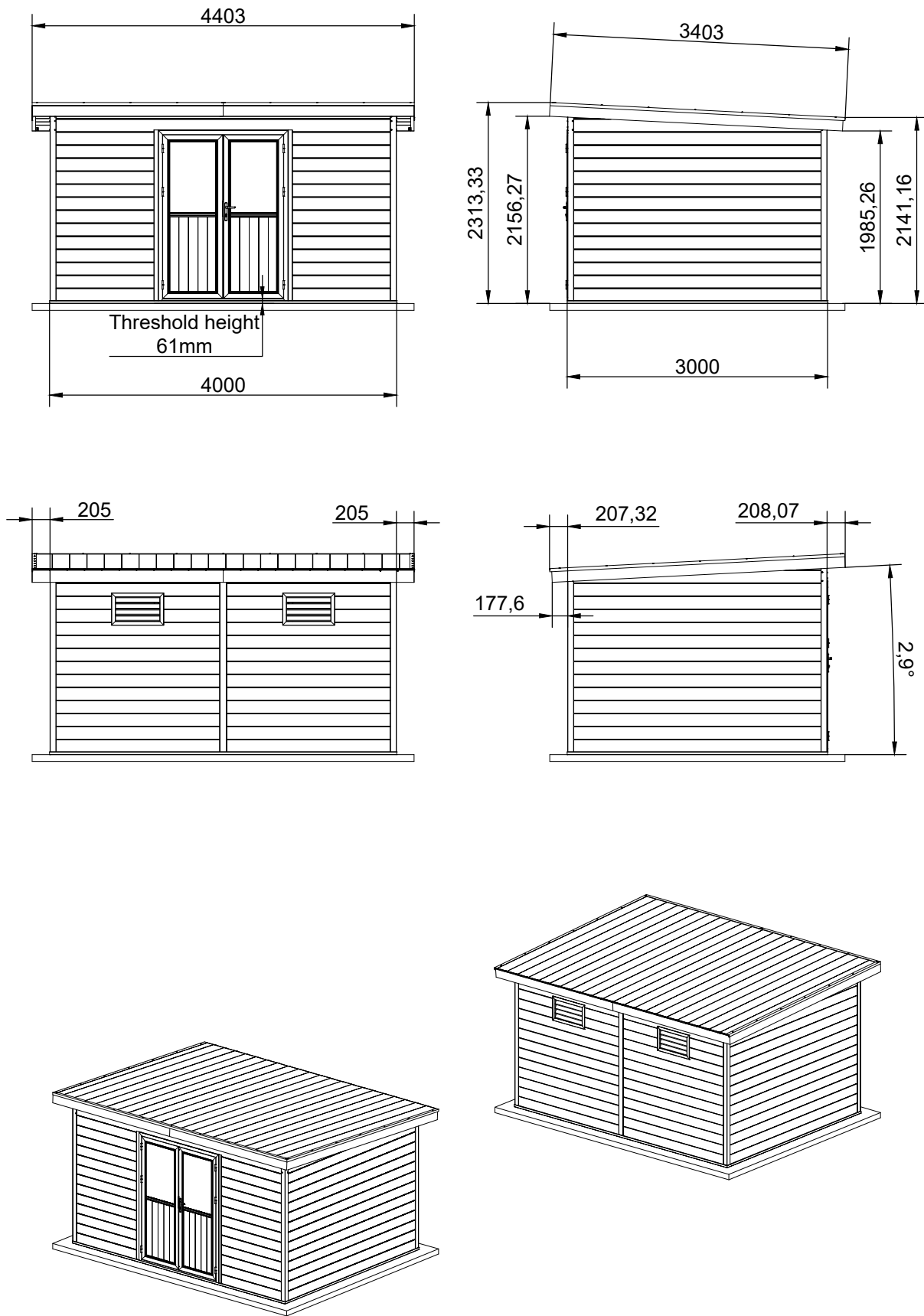
Structural adhesive (not included)



WPC GARDEN SHEDS INSTALLATION MANUAL FOR H036-B

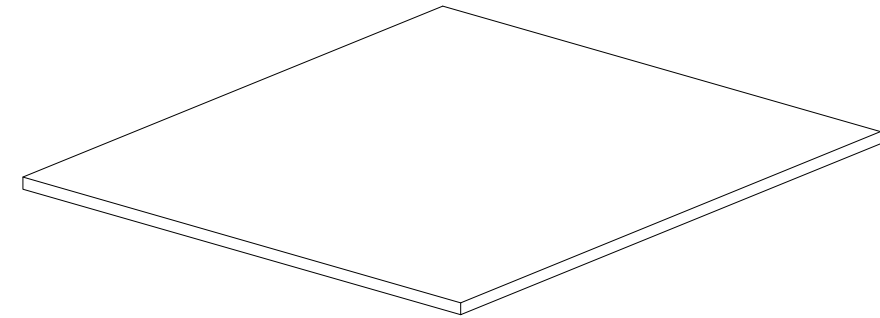


APPEARANCE & SIZE :

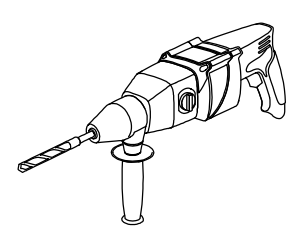
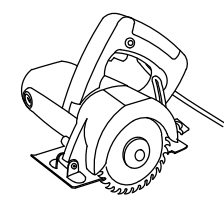
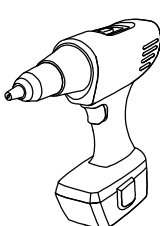
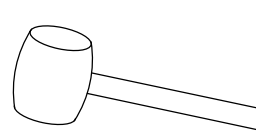
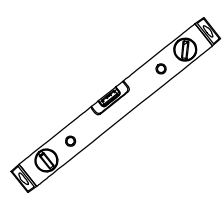
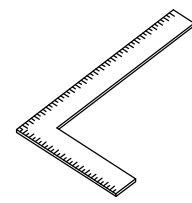
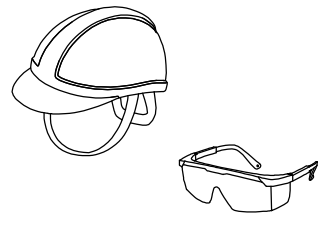
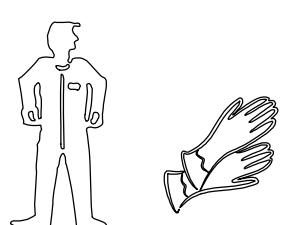
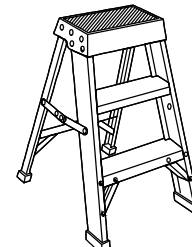


Installation Requirement :

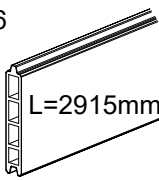
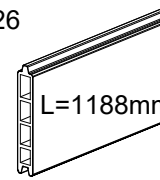
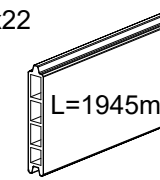
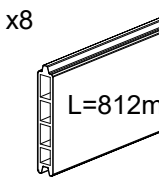
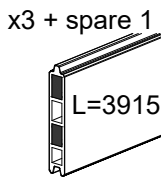
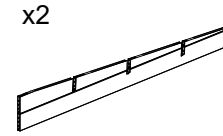
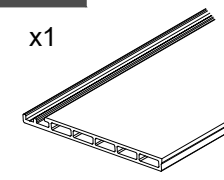
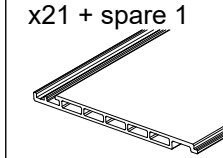
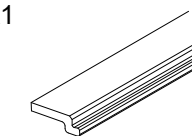
When do the assembling of a garden shed, a hard and flat ground without slope is needed. Please also make sure that the installation site has a good ventilation and drainage condition.

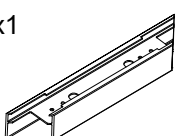
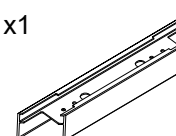
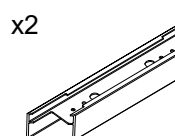
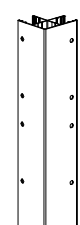
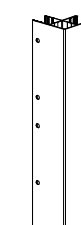





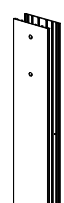
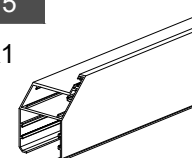
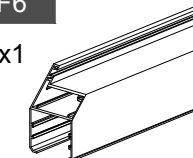
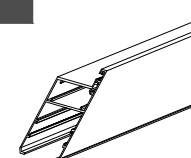
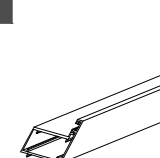
When dealing with any type of construction project, it is necessary to wear appropriate safety equipment to avoid any risk of injuries. We recommend but not only limited to the following safety equipment when handling, cutting, and installation : gloves, eye protector, respirator, long sleeves and pants.

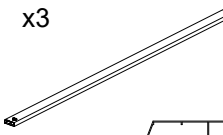
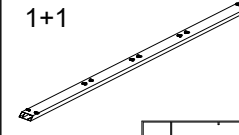
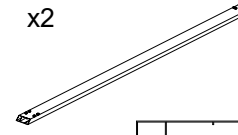
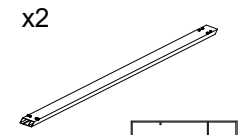
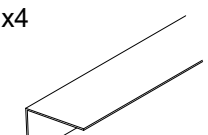
<p>Impact electric drill</p> 	<p>Cutting machine</p> 	<p>Electric screwdriver</p> 
<p>Tape & Hammer</p> 	<p>Levelling Instrument</p> 	<p>L-square</p> 
<p>Safety helmet & Goggles</p> 	<p>Work clothes, gloves & protective shoes</p> 	<p>Ladder</p> 

List of components

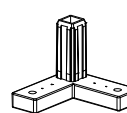
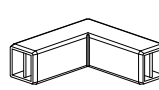
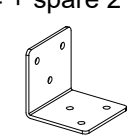
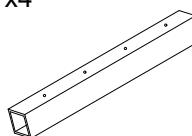
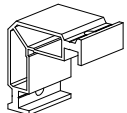
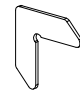
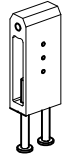
WP45 x26  L=2915mm	WP46 x26  L=1188mm	WP47 x22  L=1945mm	WP44 x8  L=812mm	WP49 x3 + spare 1  L=3915mm
WP50 x2  L=2915mm		TP19 x1  L=3400mm	TP20 x21 + spare 1  L=3400mm	TP21 x1  L=3400mm

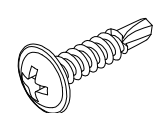
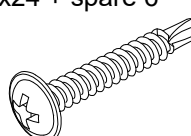
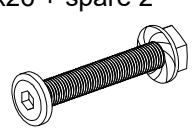
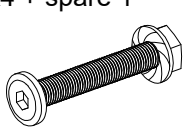


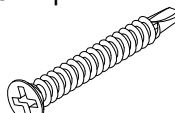
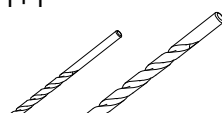
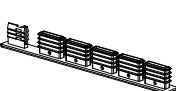
BF8 x1  L=4000mm	BF9 x1  L=4000mm	BF10 x2  L=3000mm		
MF6 x1 	MF7 x1 	MF8 x1 	MF9 x1 	MF21 x2 


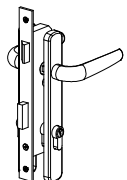
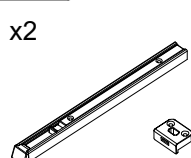
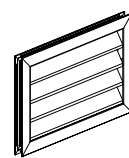
MF22 x1 	DF5 x1  L=1965mm	DF6 x1  L=1965mm	DF7 x1  L=1500mm	DF4 x1  L=1430mm
--	---	---	--	---

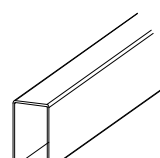
TF56 x3  L=4320mm	TF57a, TF57b 1+1  L=3380mm	TF58 x2  L=2200mm	TF59 x2  L=2240mm	TF60 x4 
--	---	--	---	--

List of components

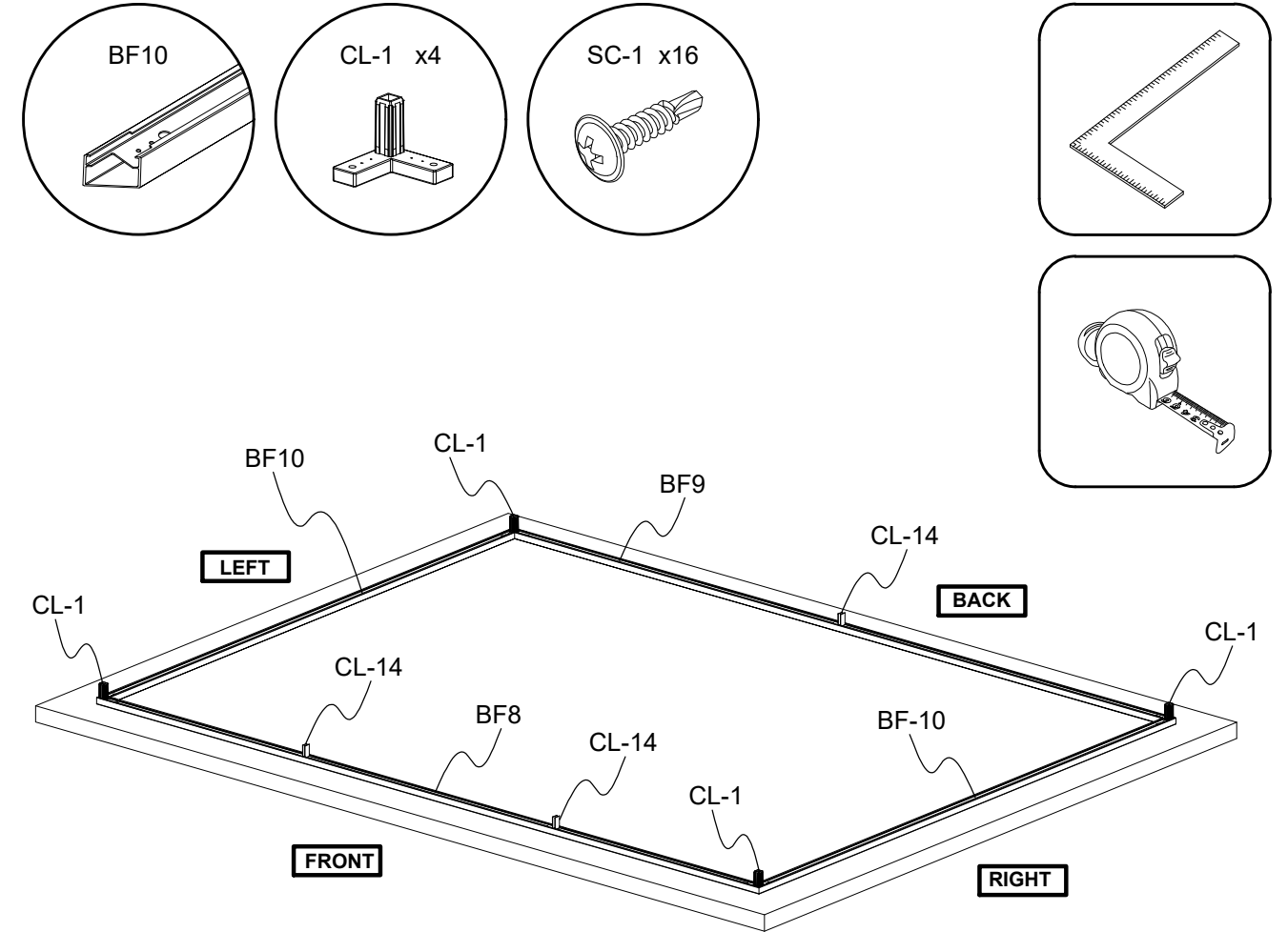
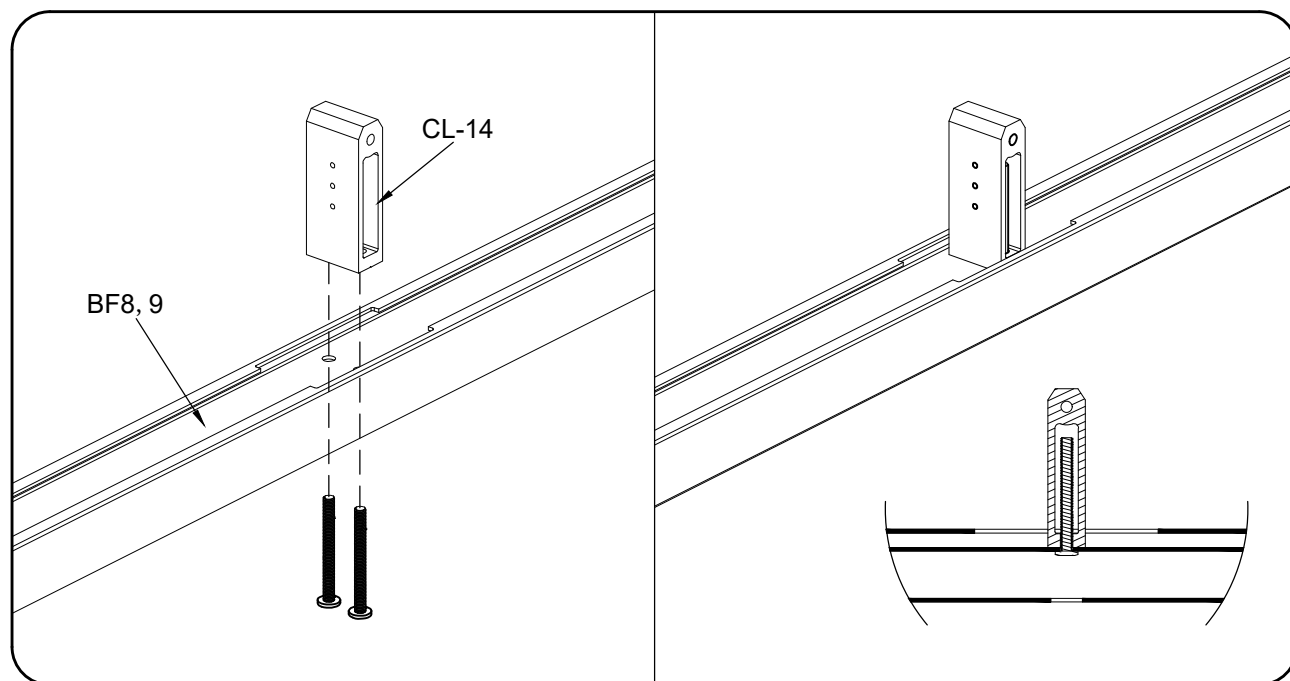
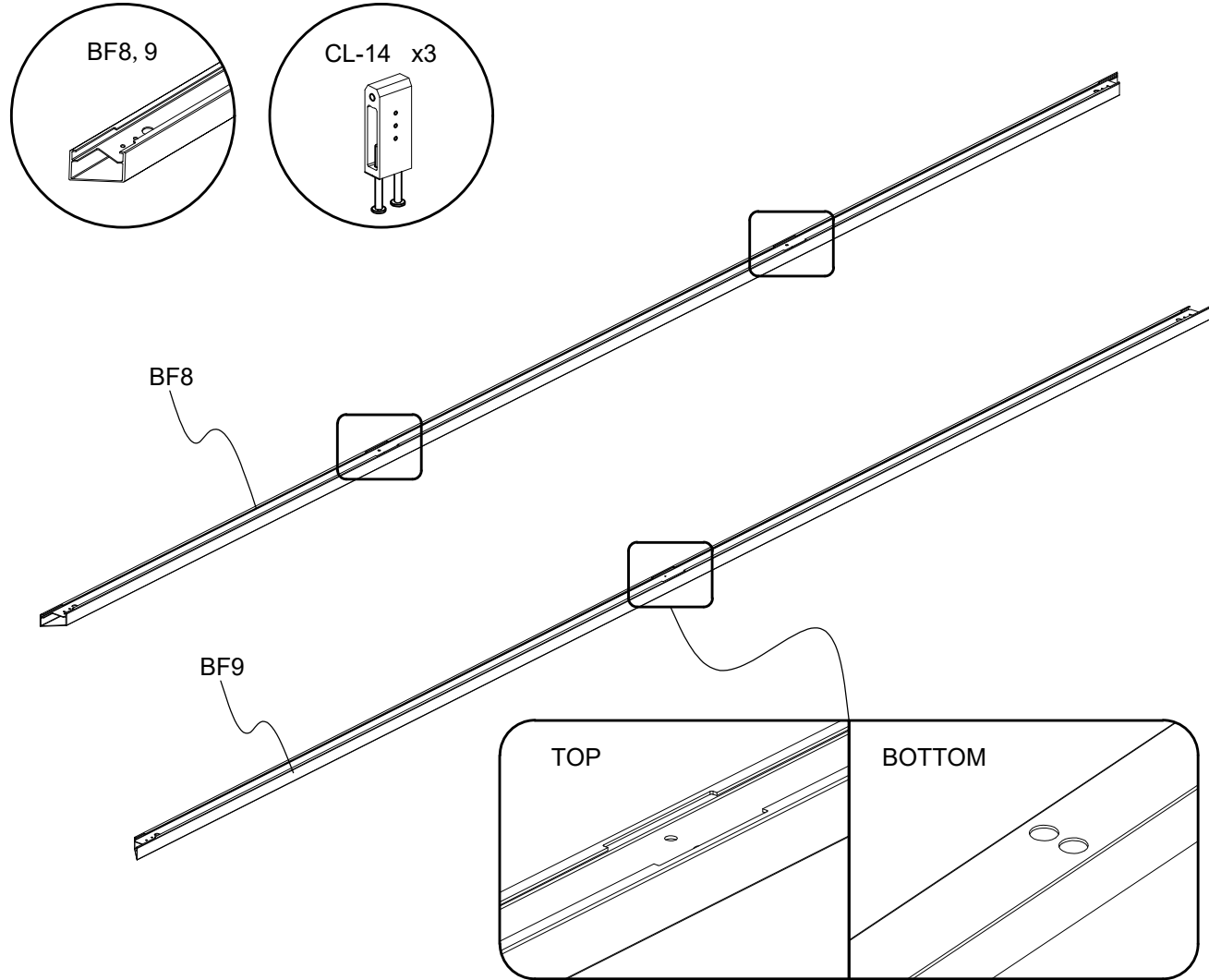
CL-1 x4 	CL-3 x8 	CL-4 x24 + spare 2 	CL-7 x4  L=300mm	CL-8 x4 
CL-9 x4 + spare 2 	CL-14 x3 			

SC-1 x437 + spare 163  M4.2x19mm	SC-2 x24 + spare 6  M4.2x30mm	SC-4 x26 + spare 2  M6x40mm	SC-4Y x4 + spare 1  M6x40mm	SC-5 x10 + spare 2  Ø8x80mm
SC-7 x8 + spare 2  M6	SC-8 x8 + spare 2  M4.2x30mm	Drill 1, Drill 2 1+1  Ø2.8 Ø7	other spare parts x5 	

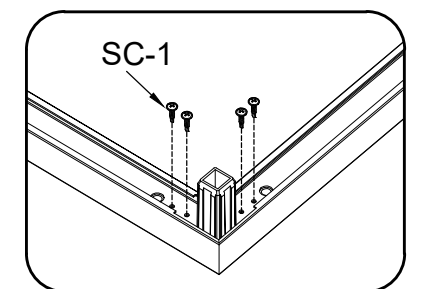
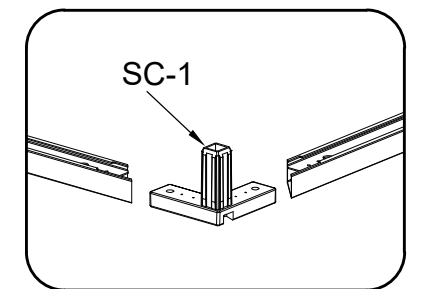
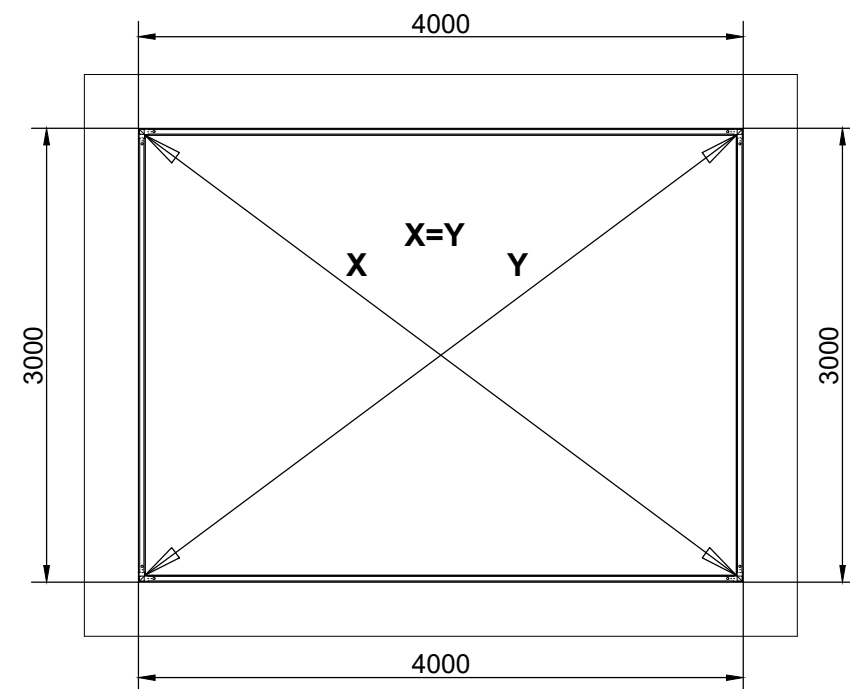
DP-6 x1 	SU-6 x1  8530	SU-2 x2 	WD5 x2 
--	--	--	---

UC036 	UC036-1 655mm x2 UC036-2 708mm x4 UC036-3 651mm x2
---	--

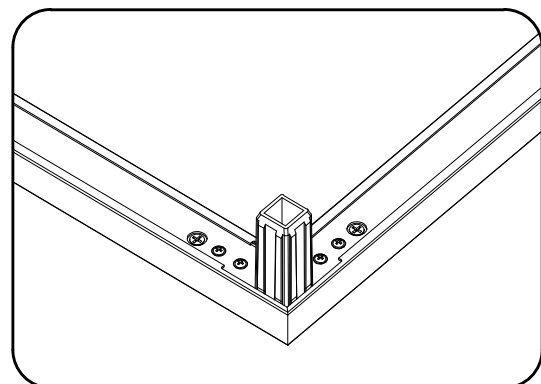
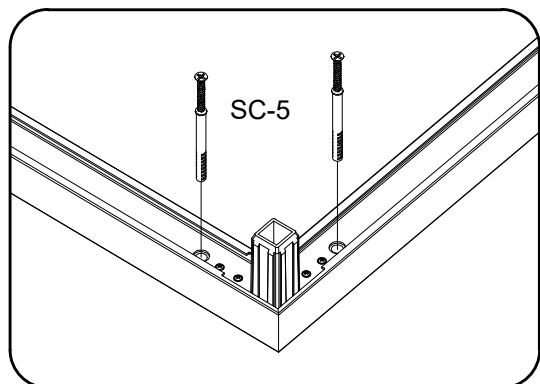
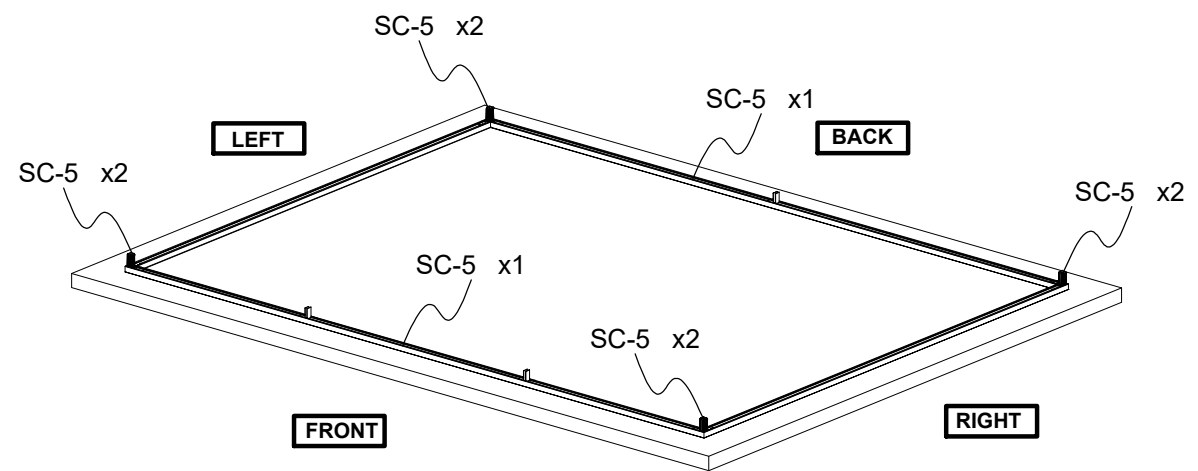
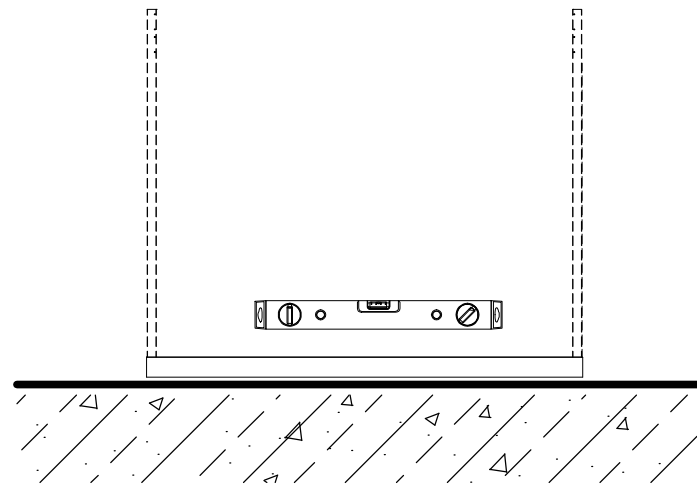
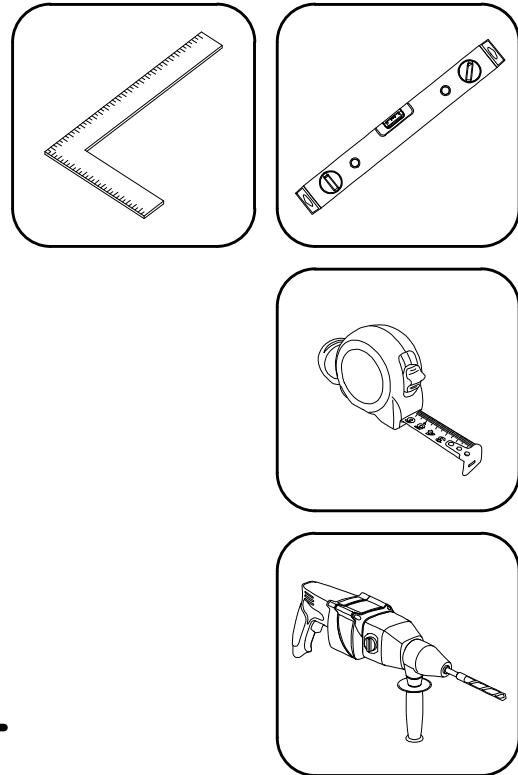
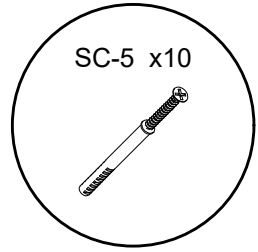
STEP 1 :



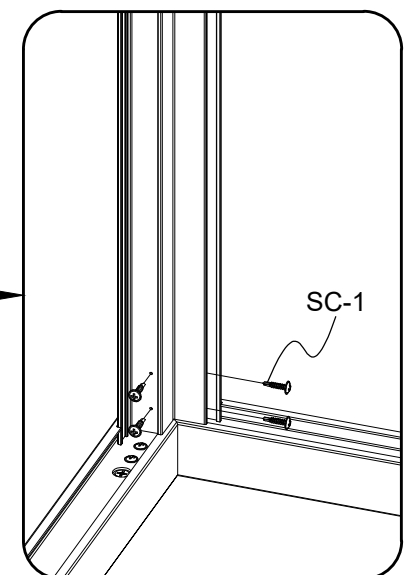
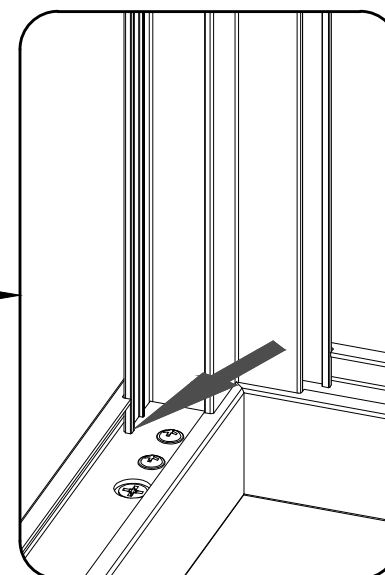
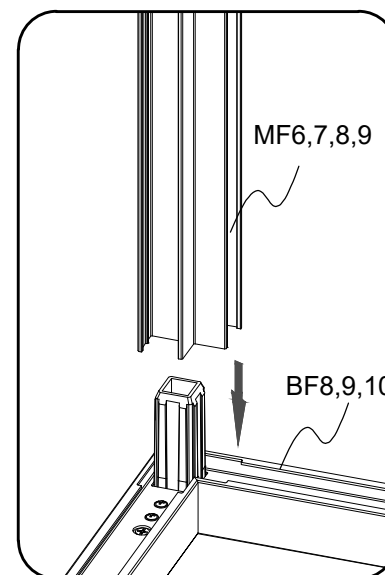
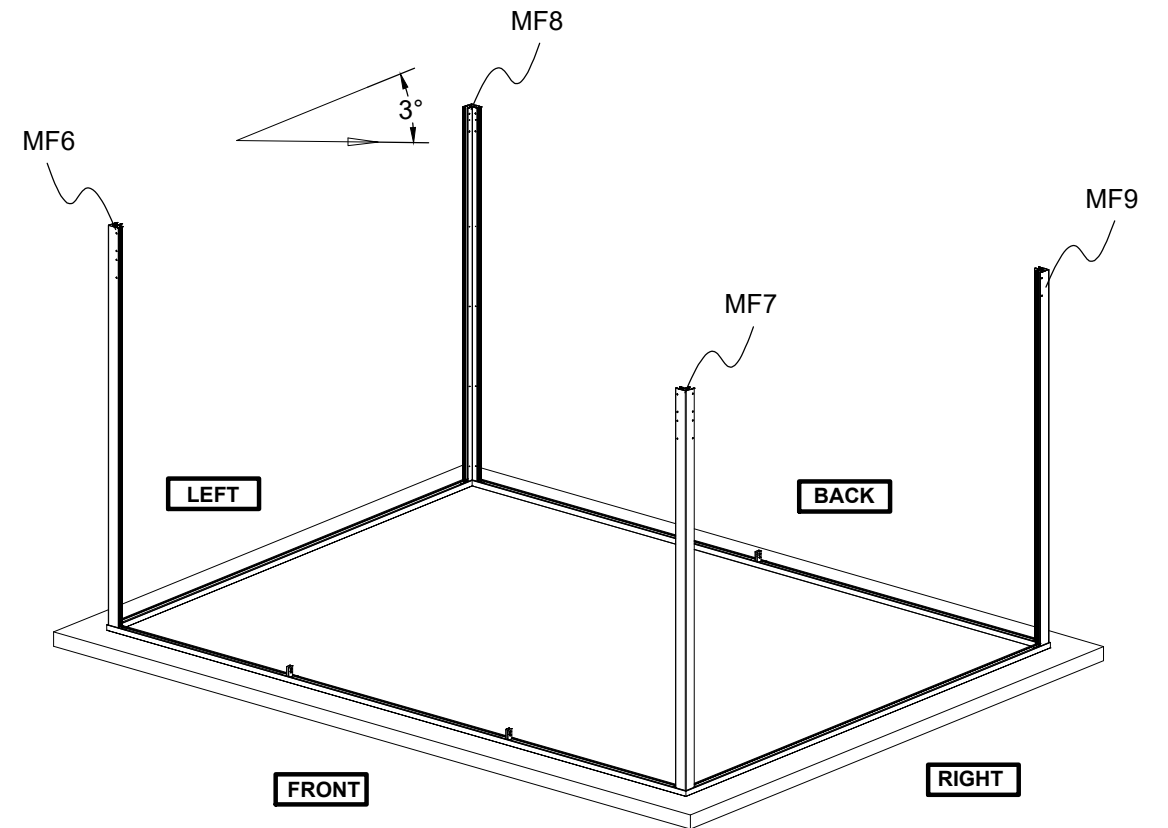
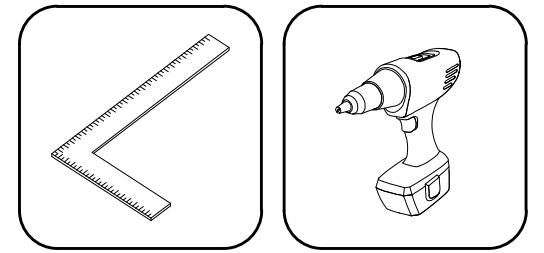
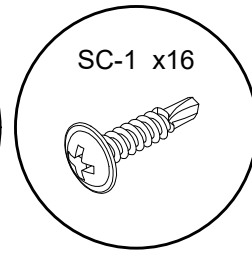
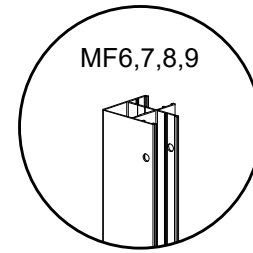
Dimension:



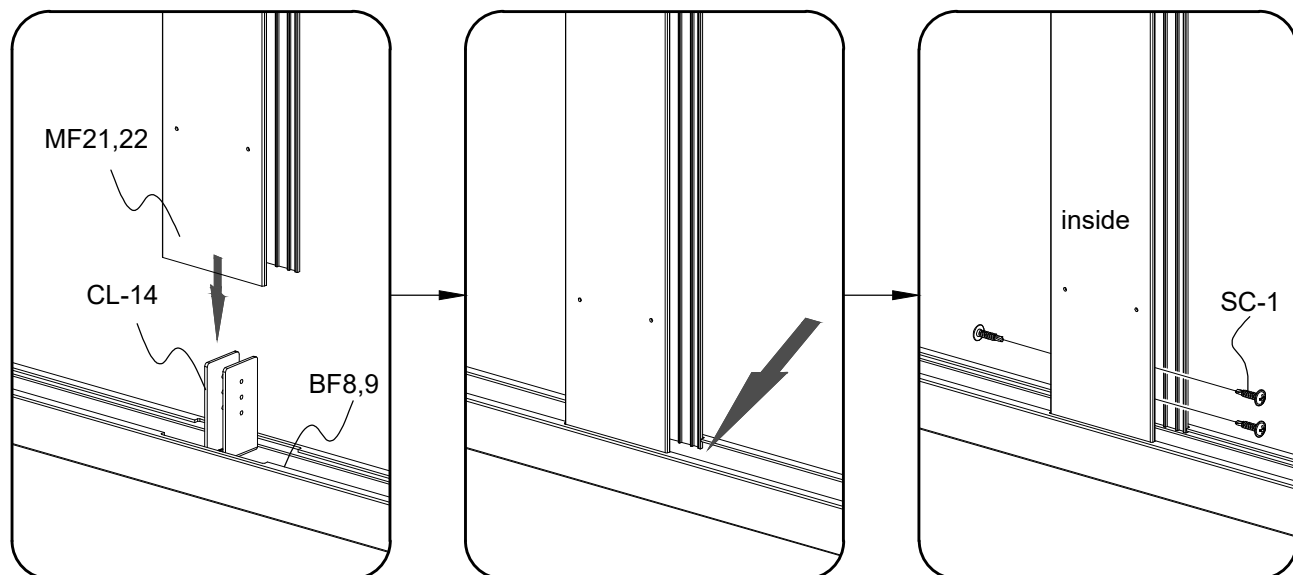
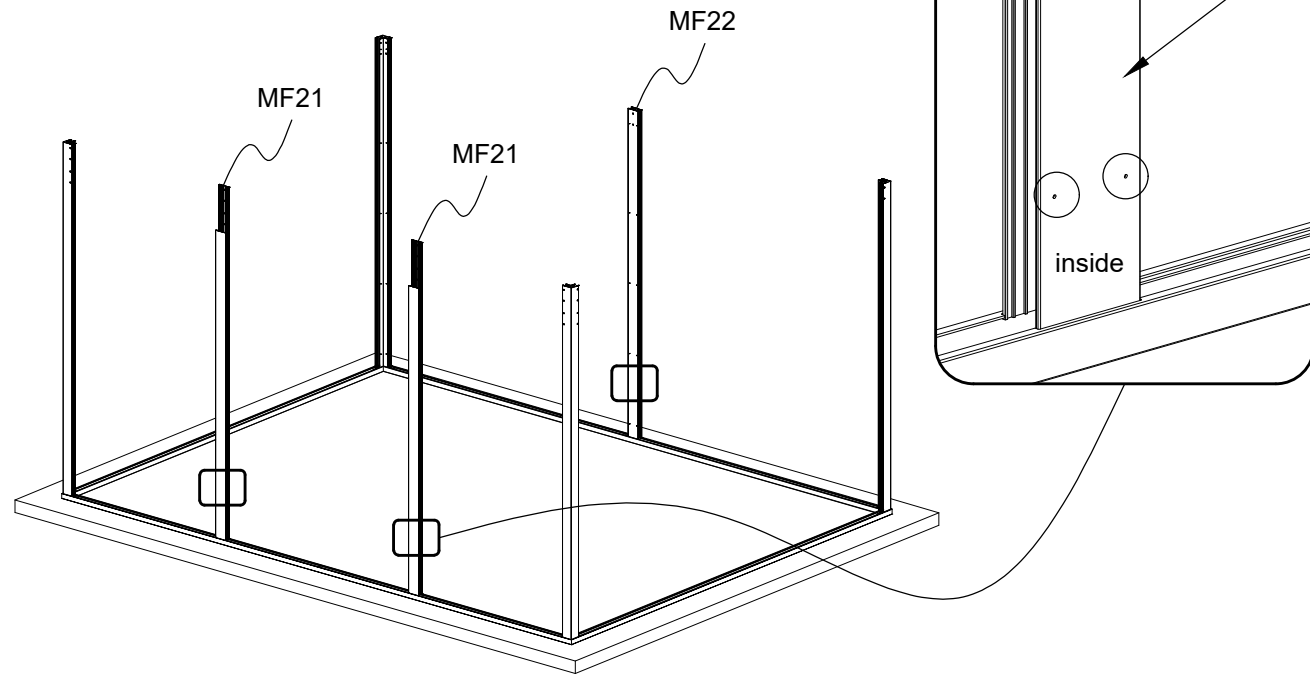
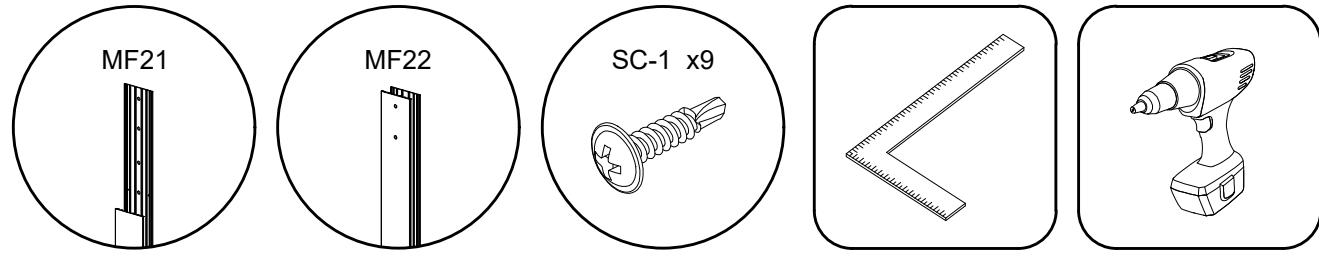
STEP 2 : Expansion screws



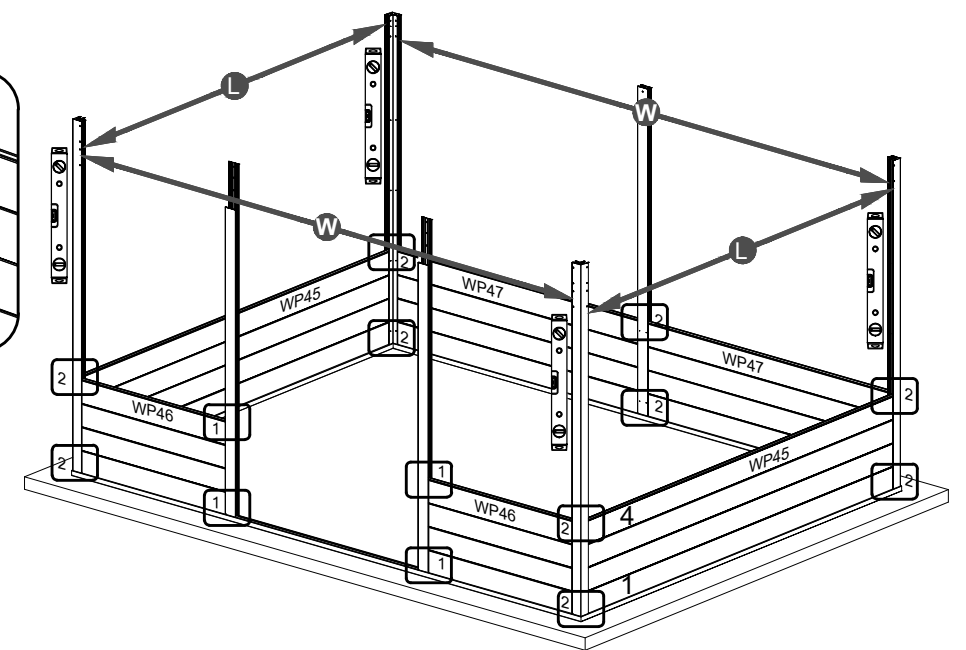
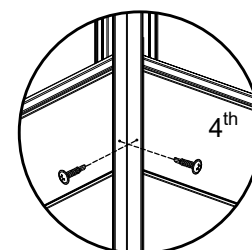
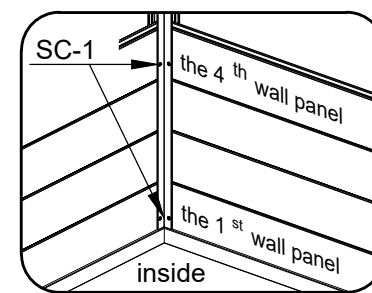
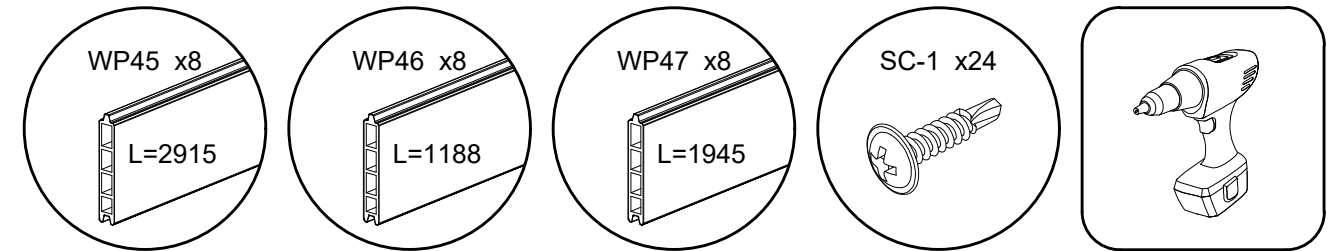
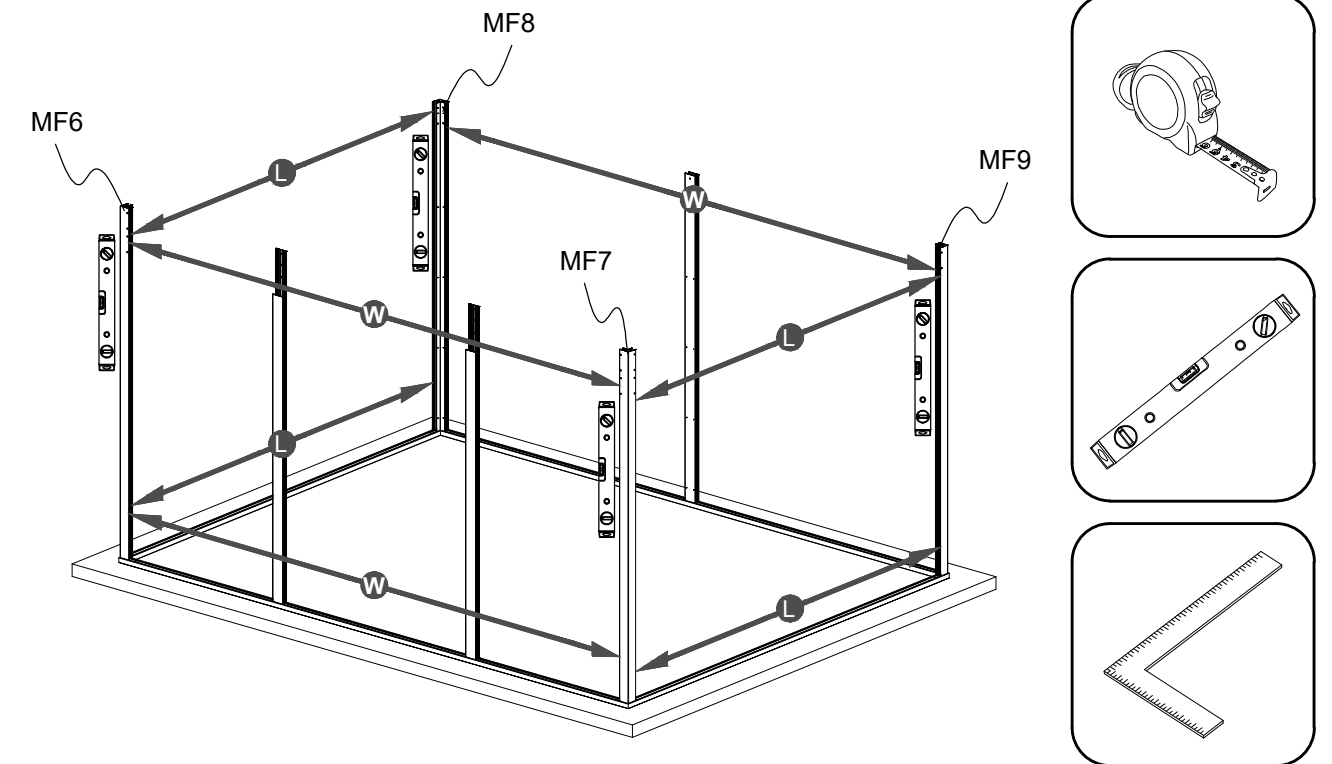
STEP 3 :



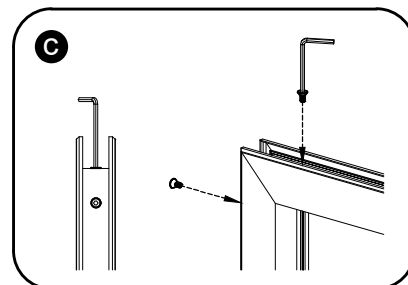
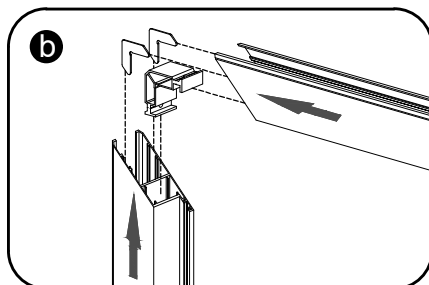
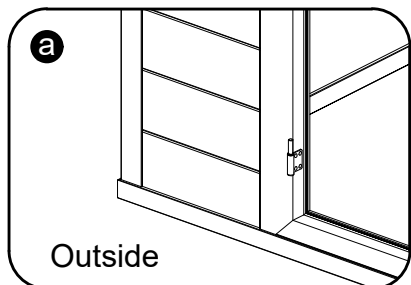
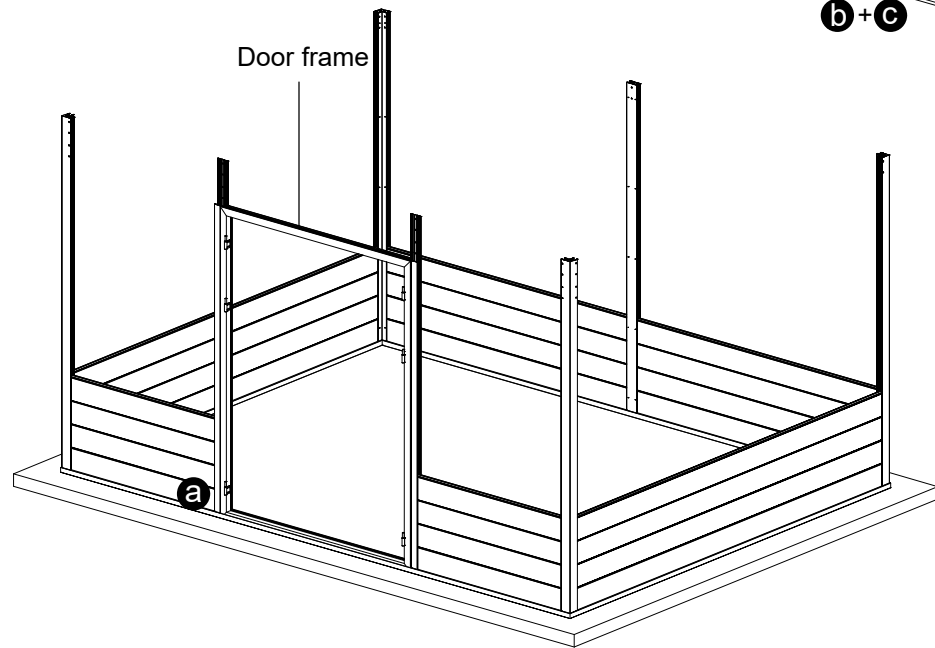
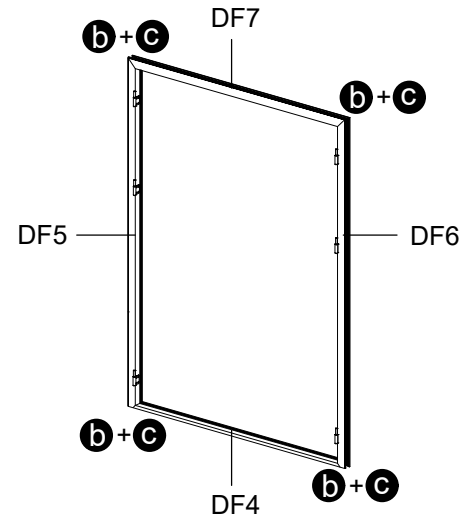
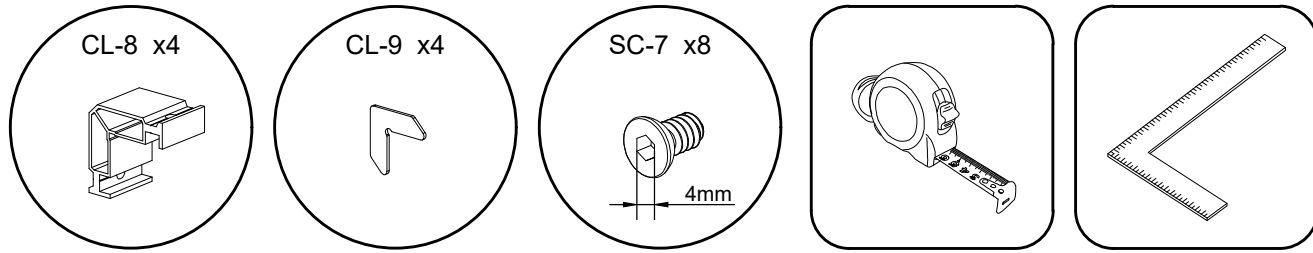
STEP 4 :



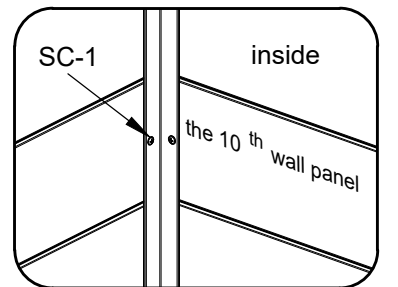
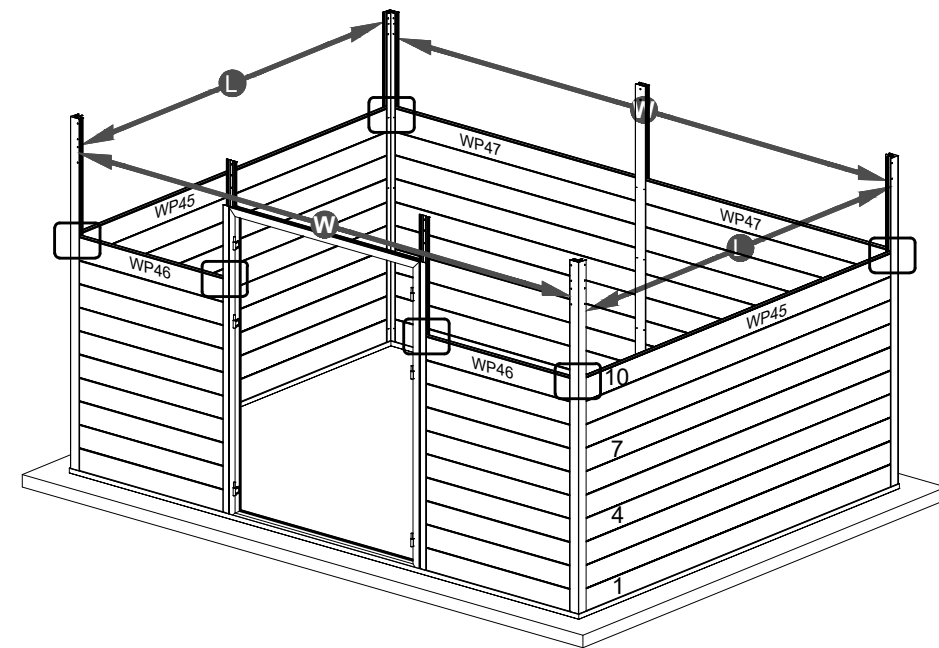
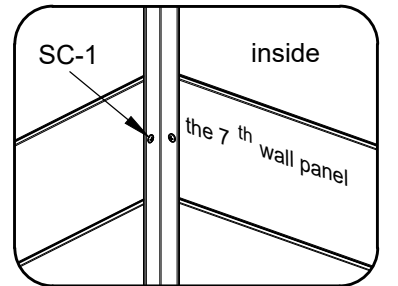
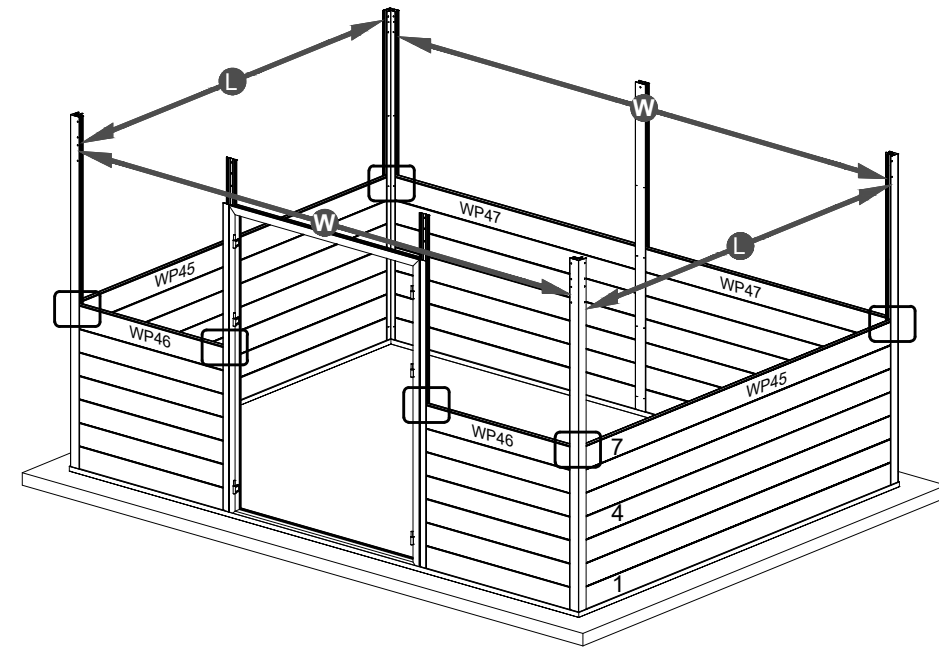
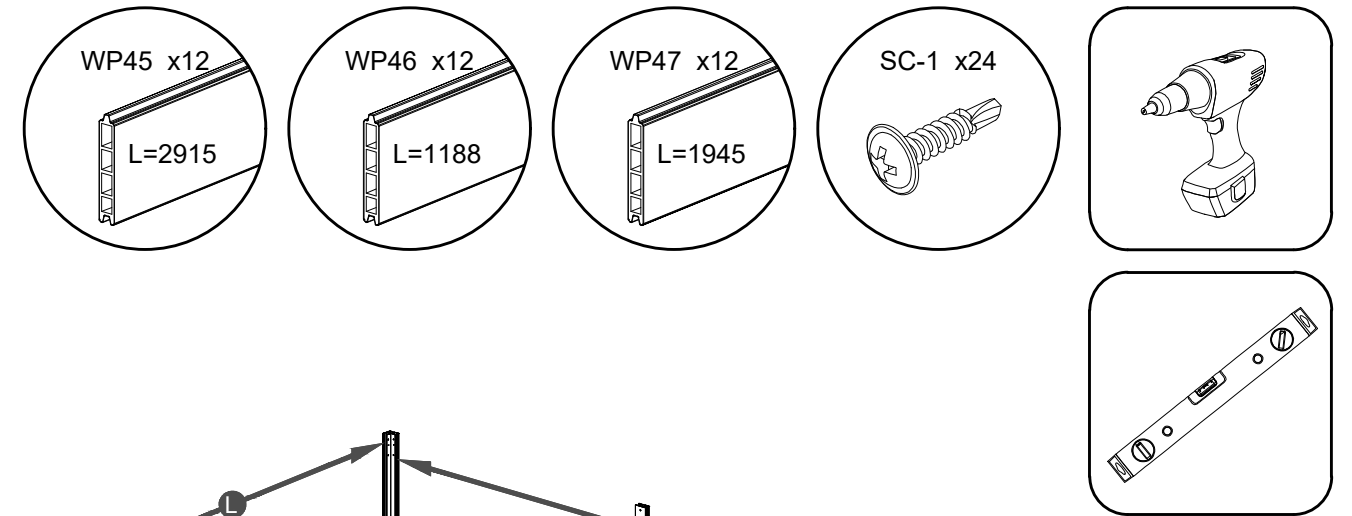
STEP 5 :



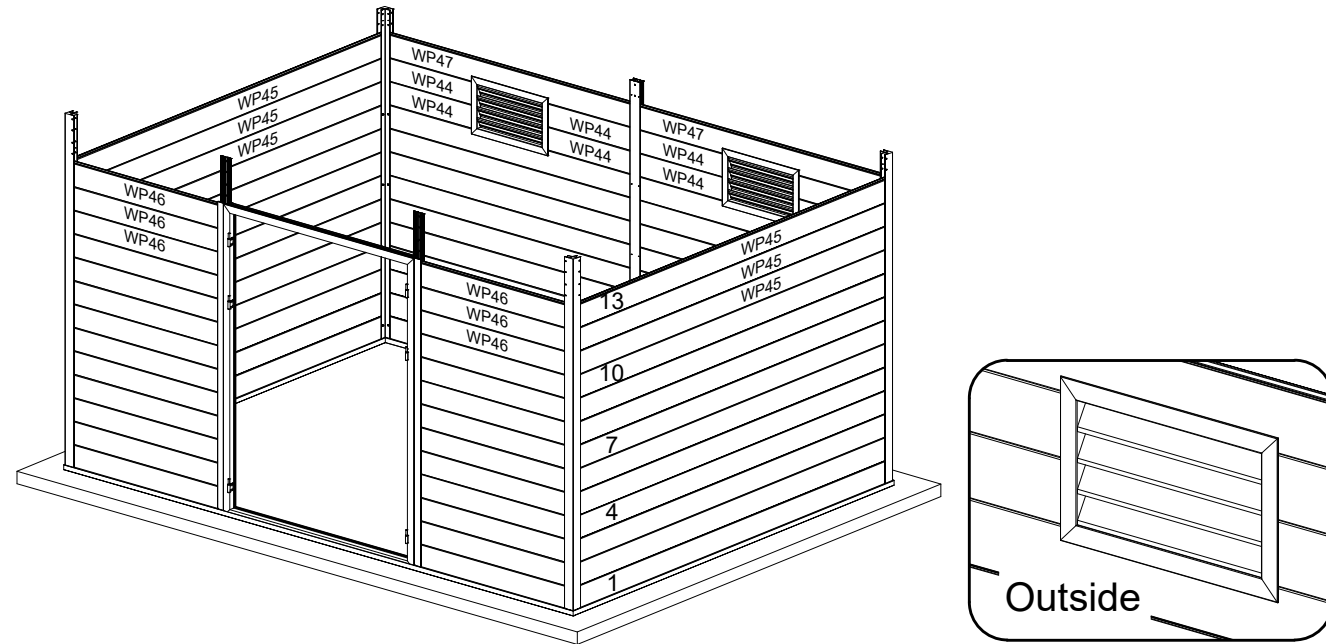
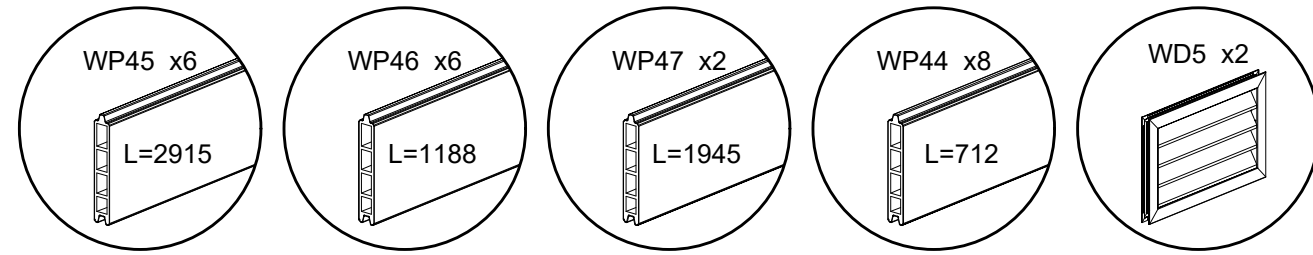
STEP 6 :



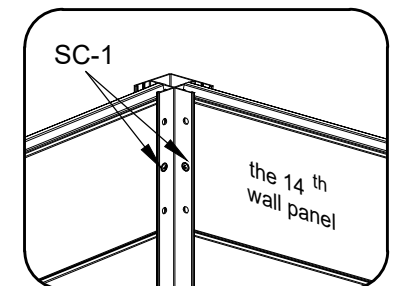
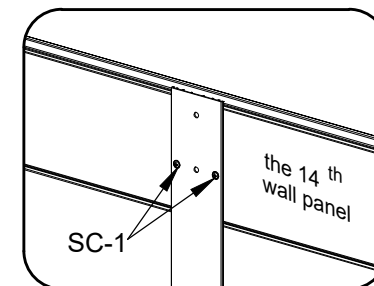
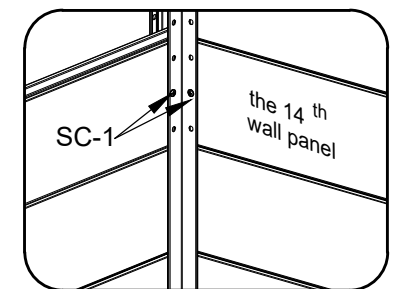
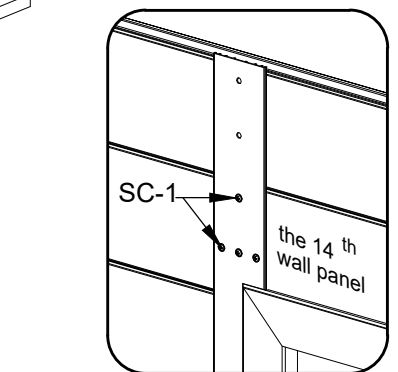
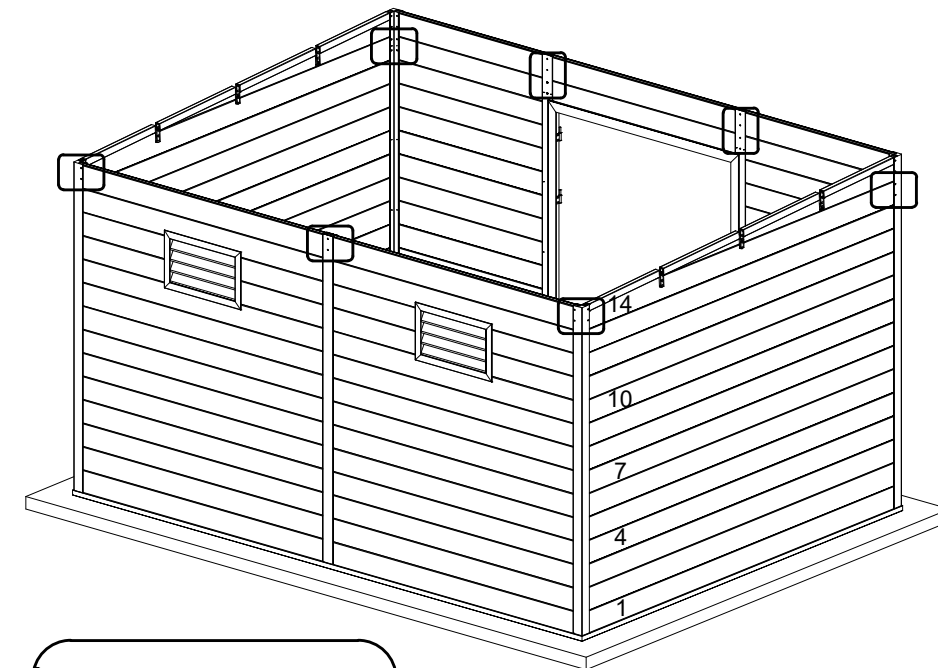
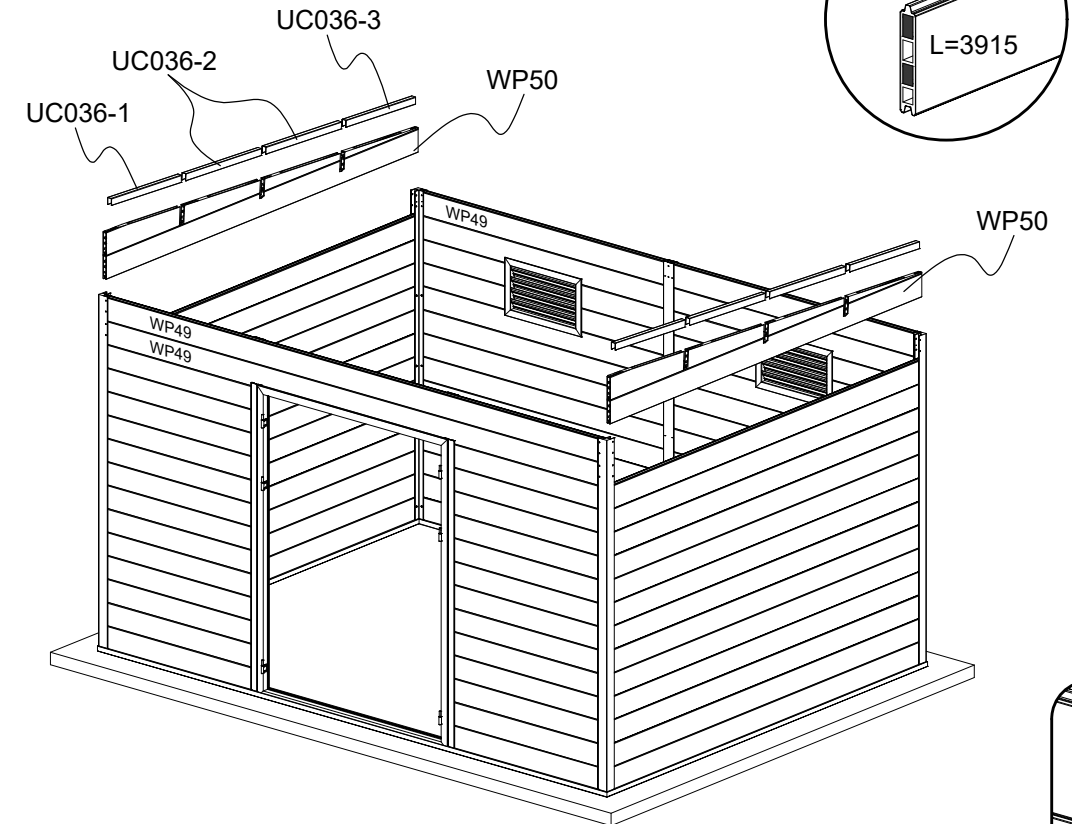
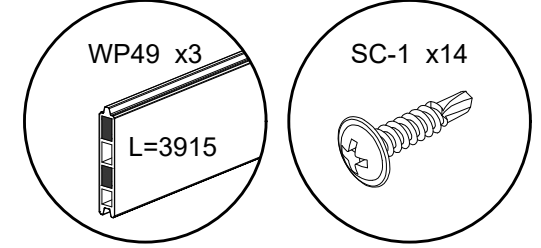
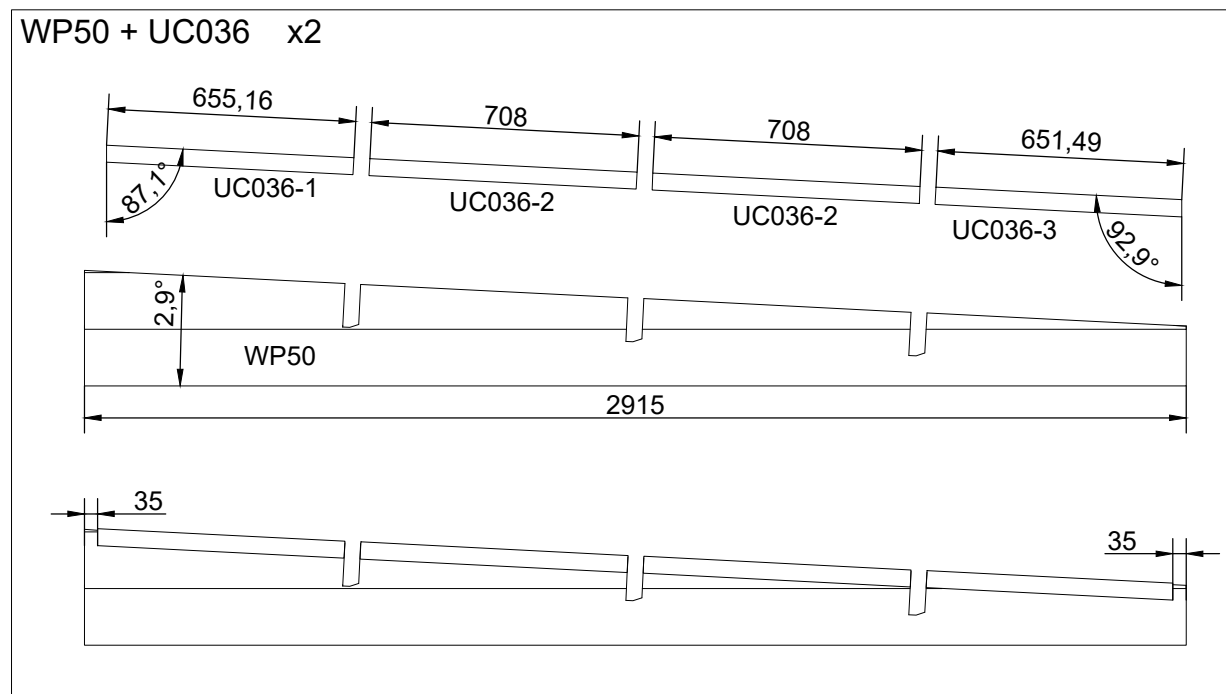
STEP 7 :



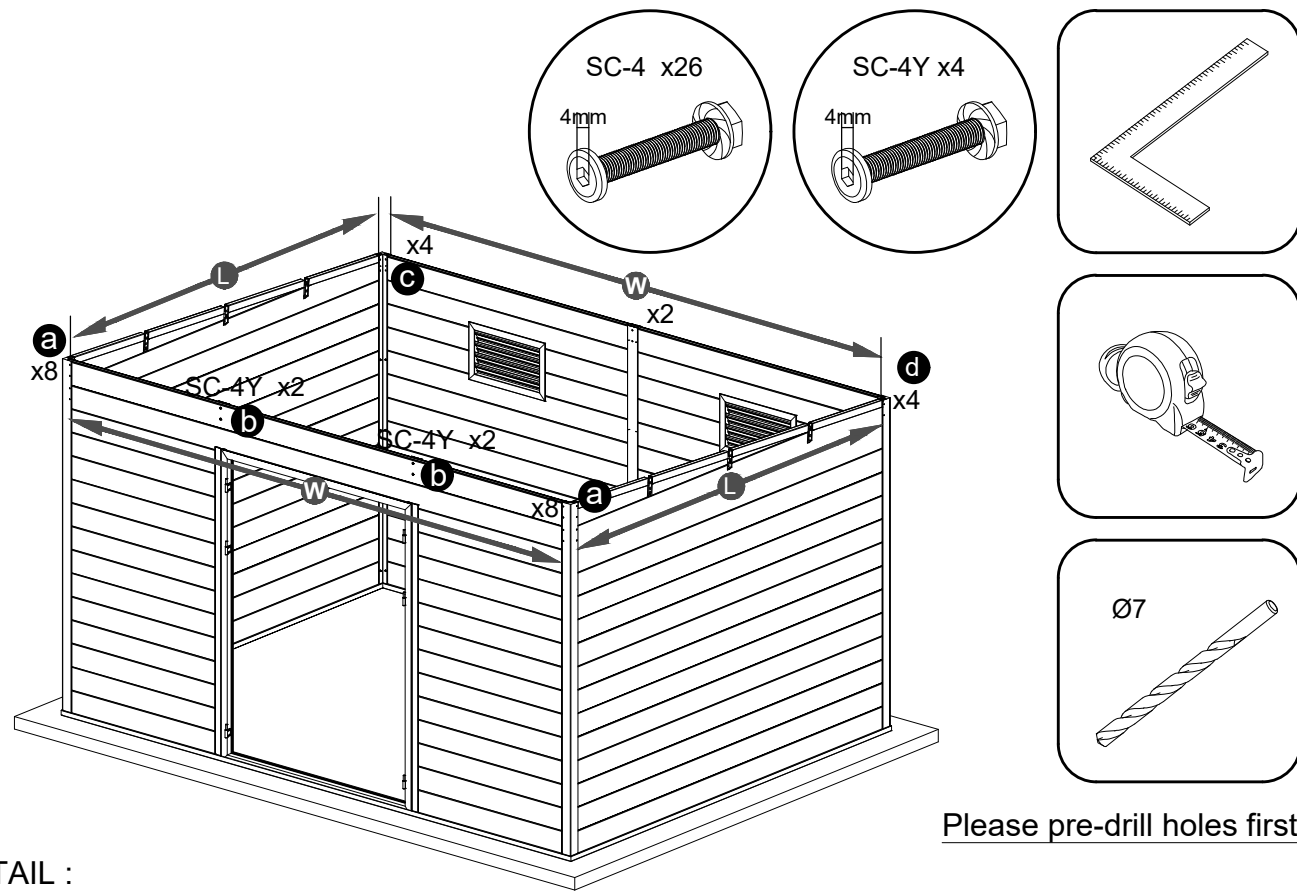
STEP 8 :



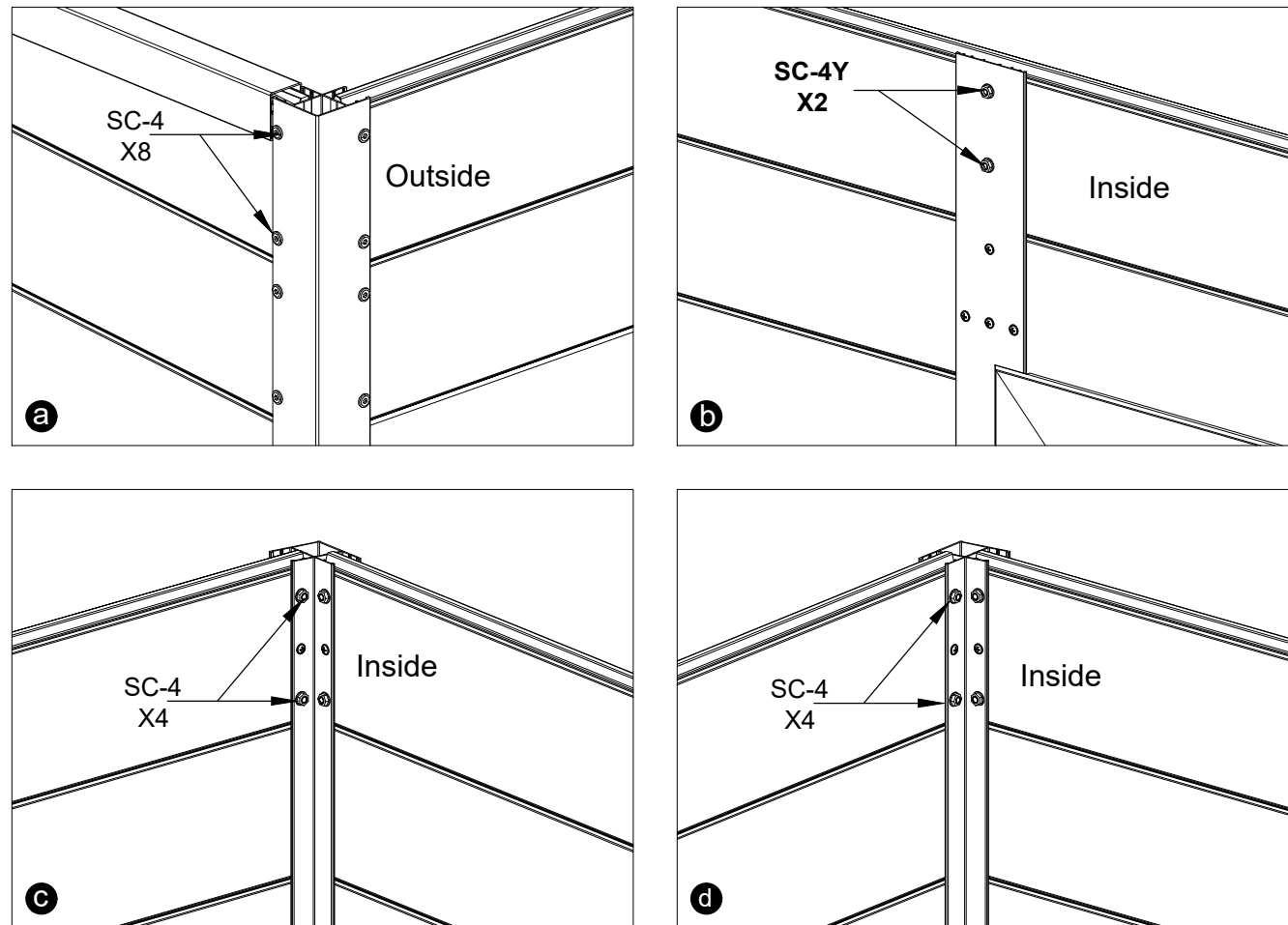
STEP 9 :



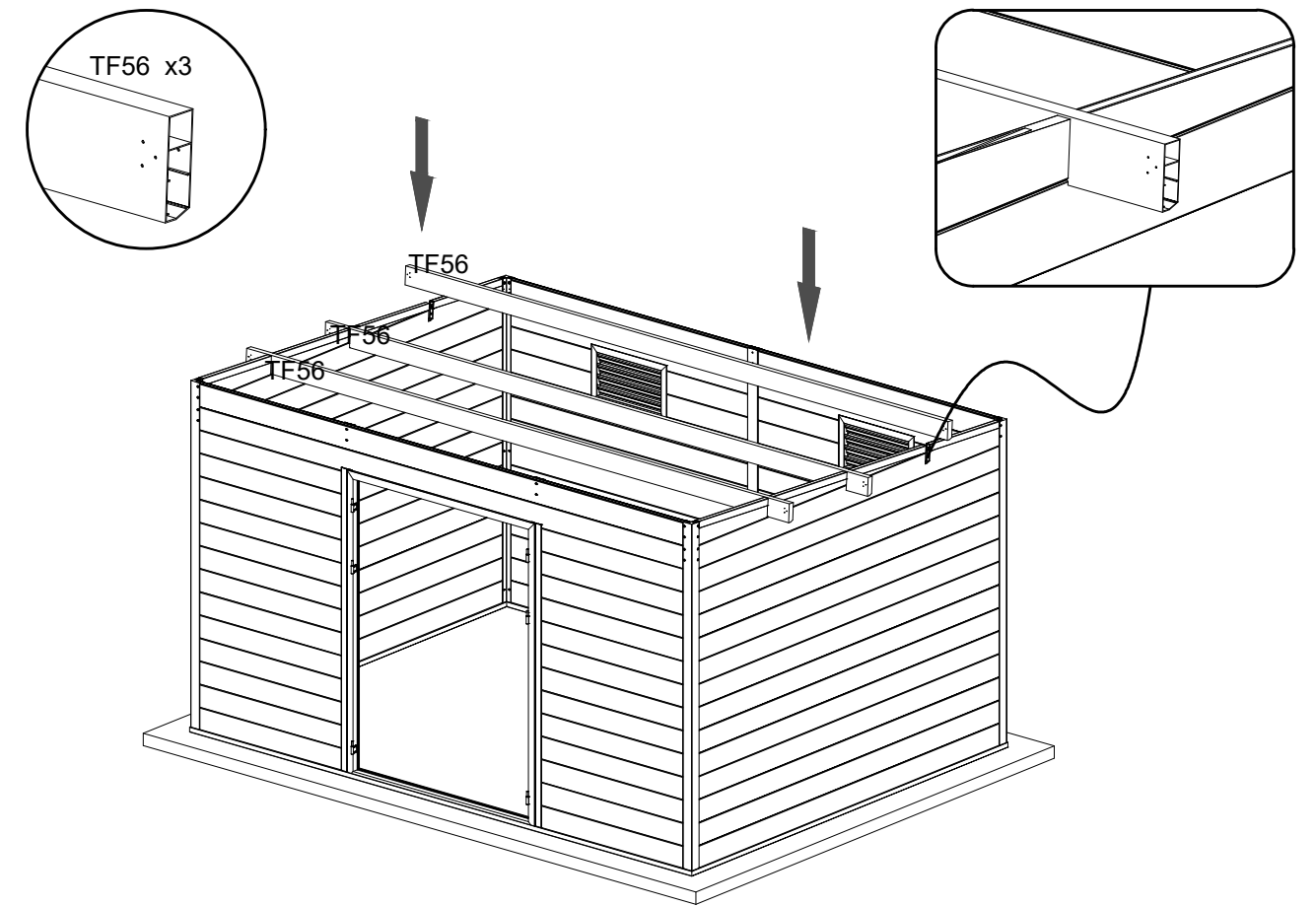
STEP 10 :



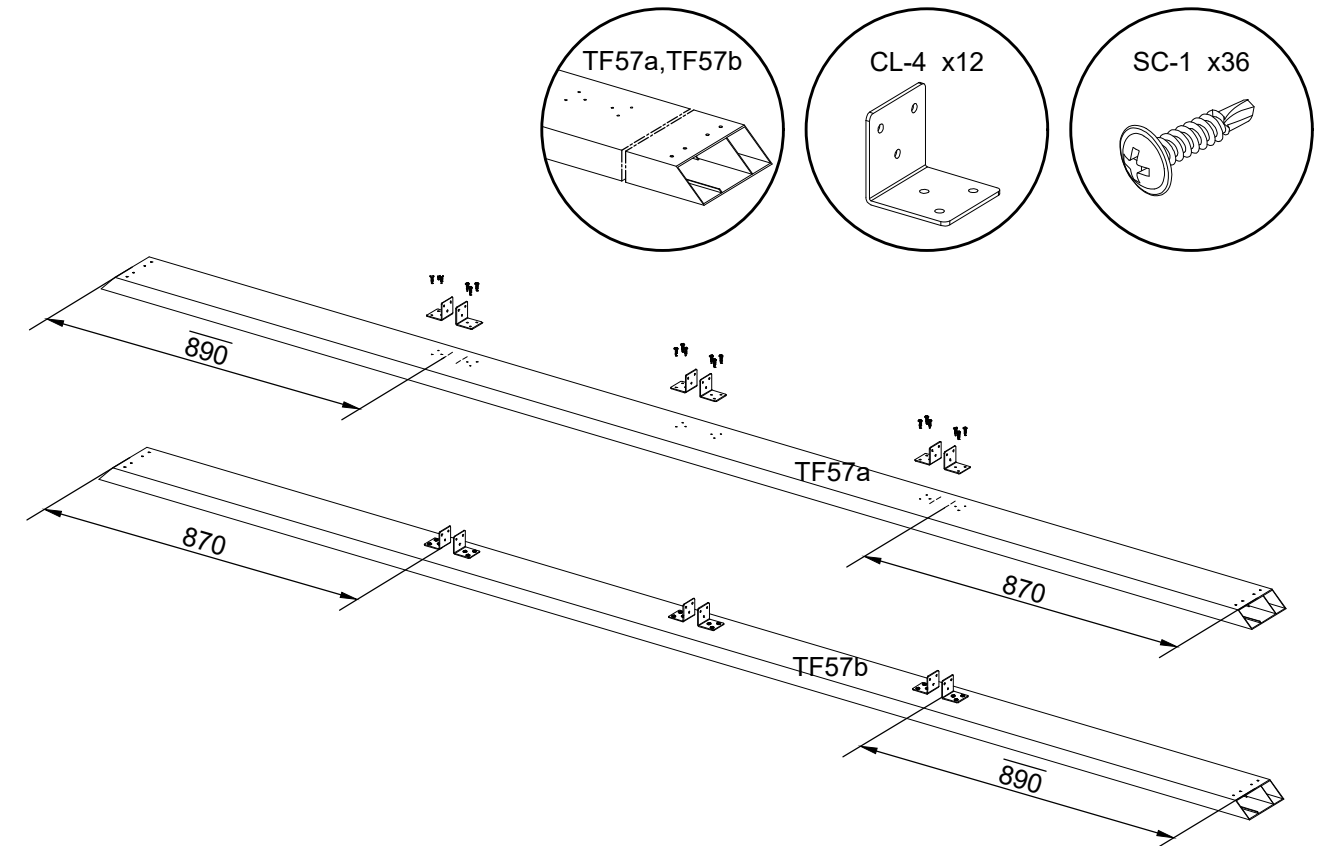
DETAIL :



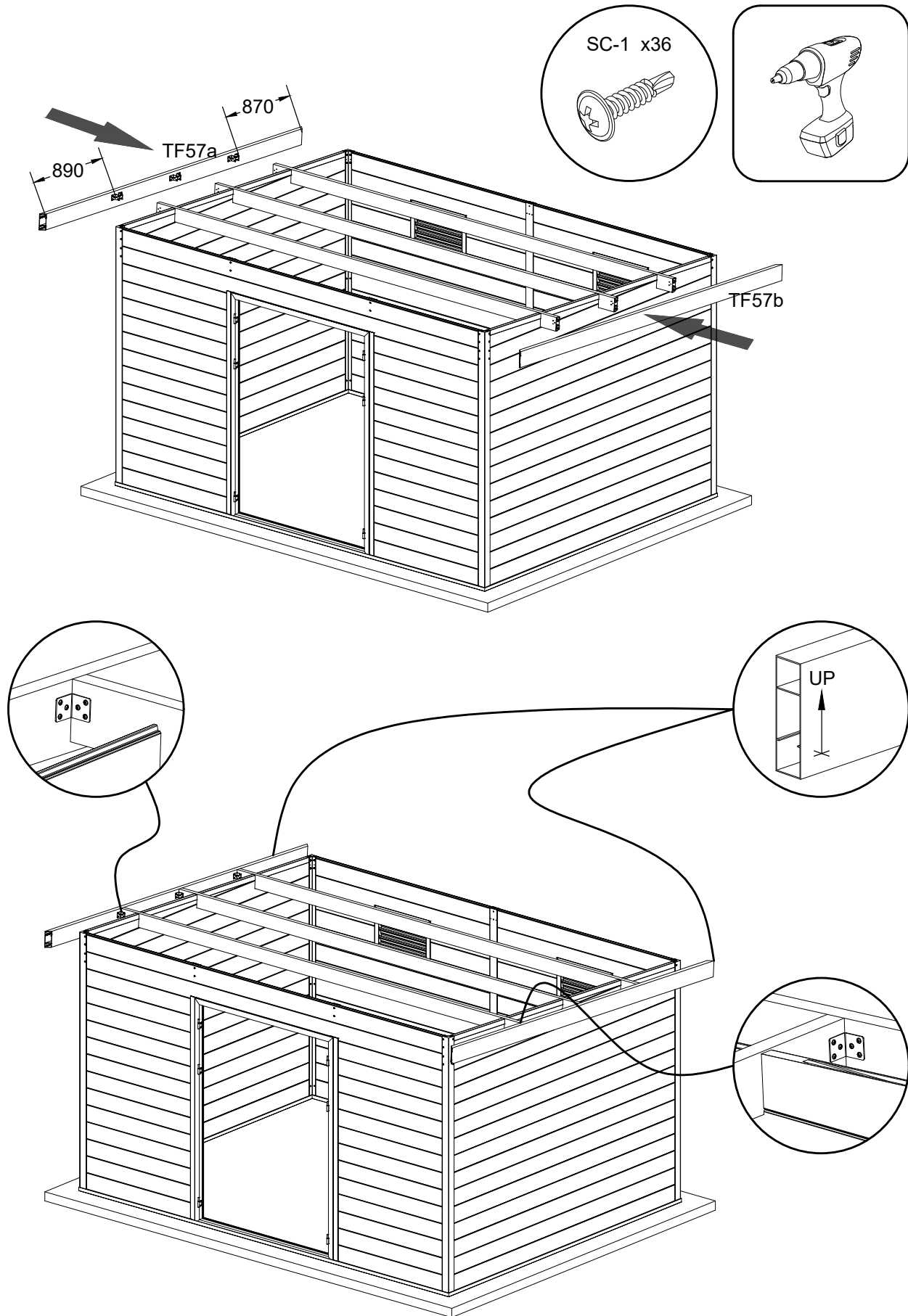
STEP 11 :



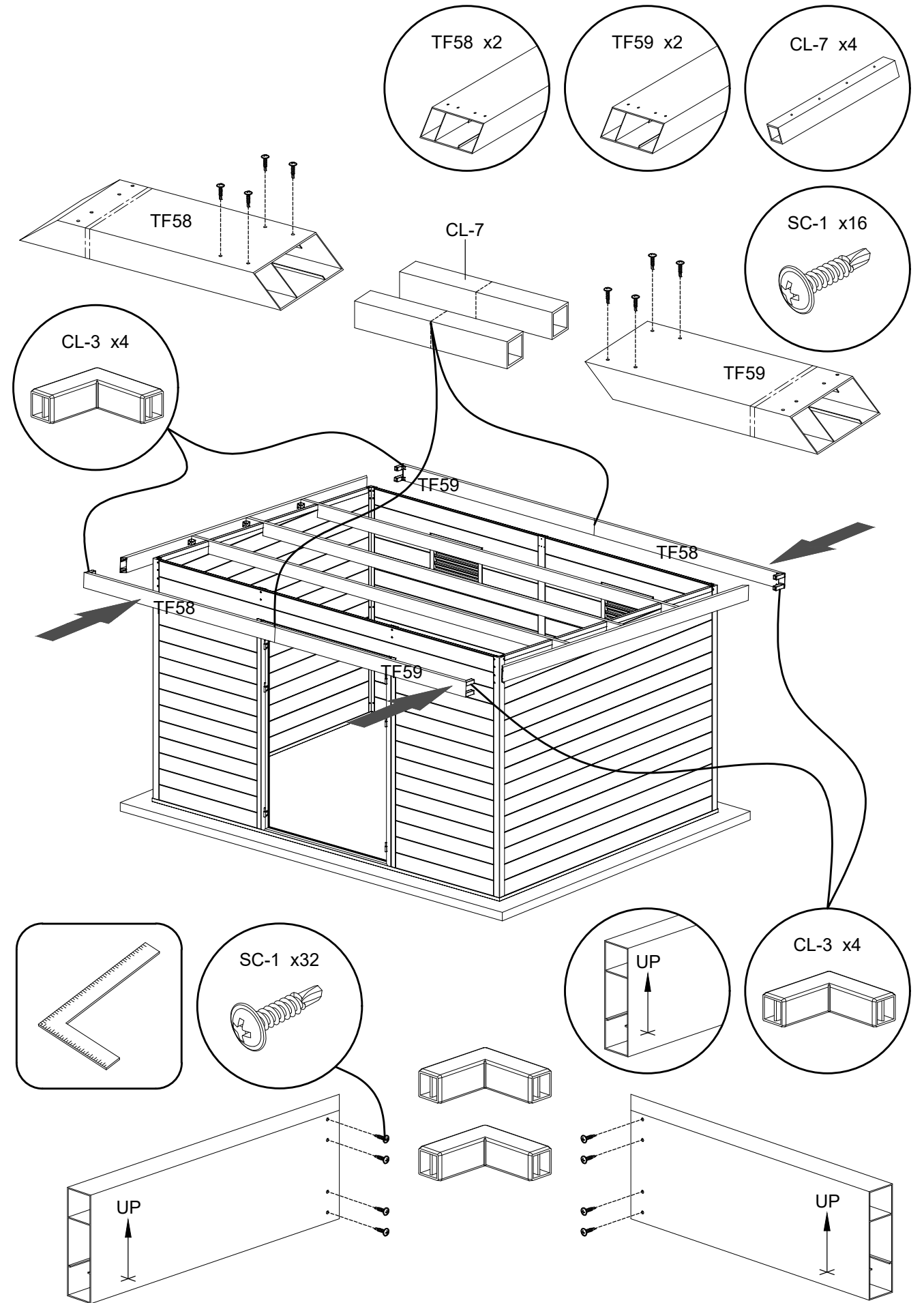
STEP 12 :



STEP 13 :

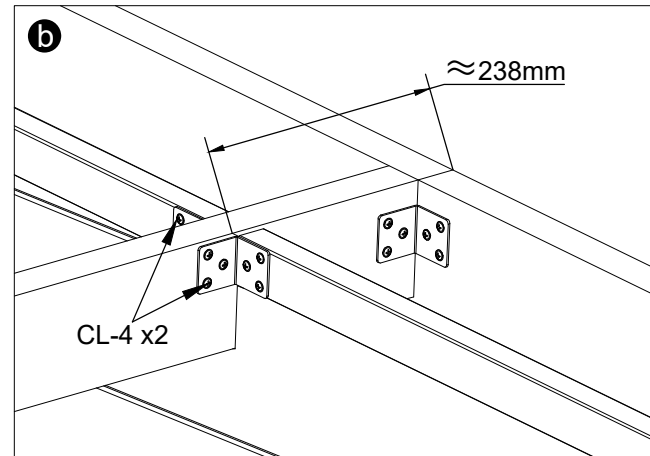
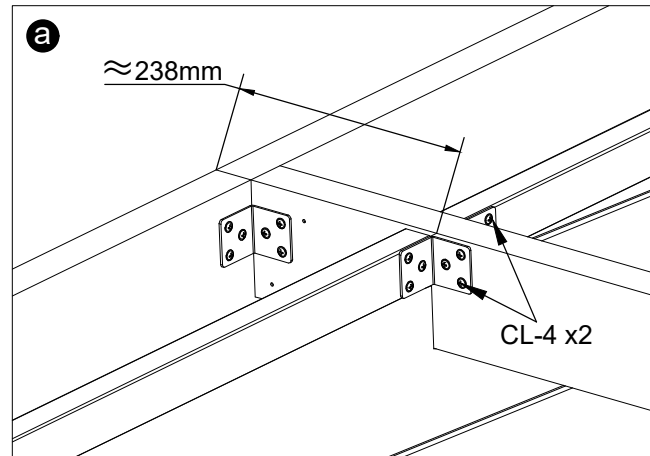
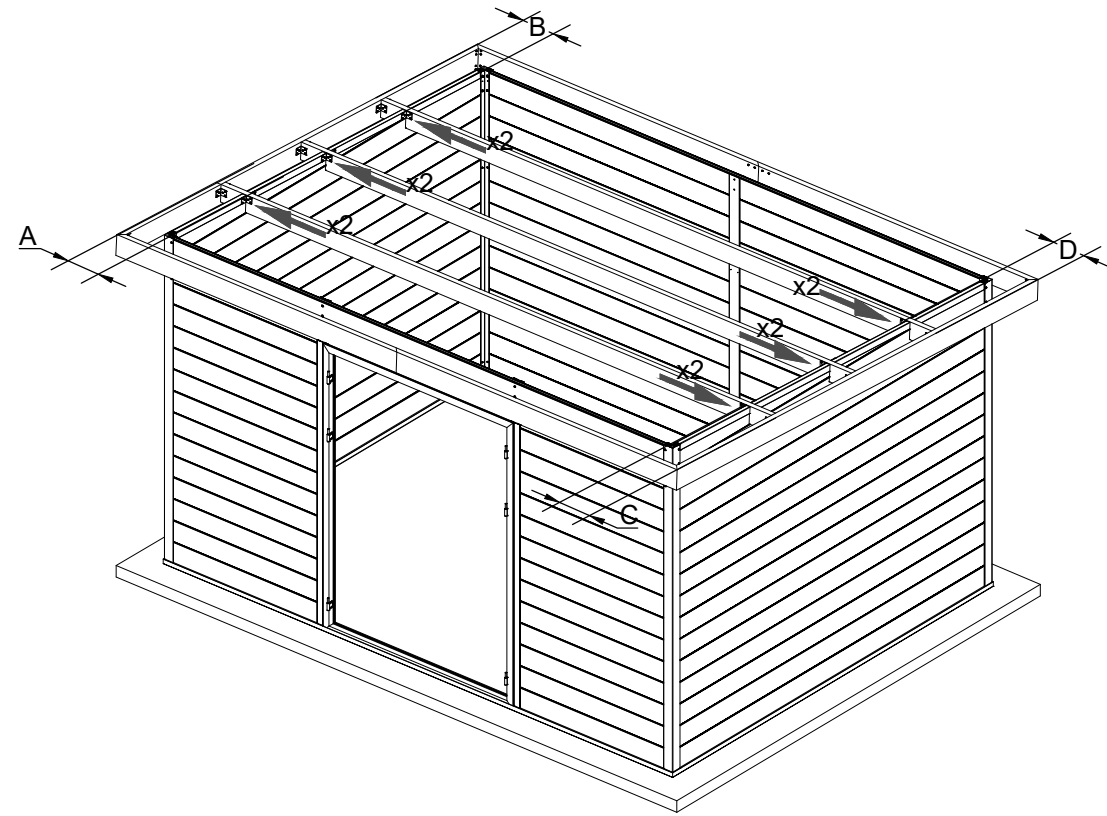
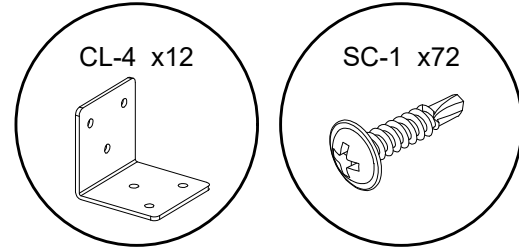


STEP 14 :

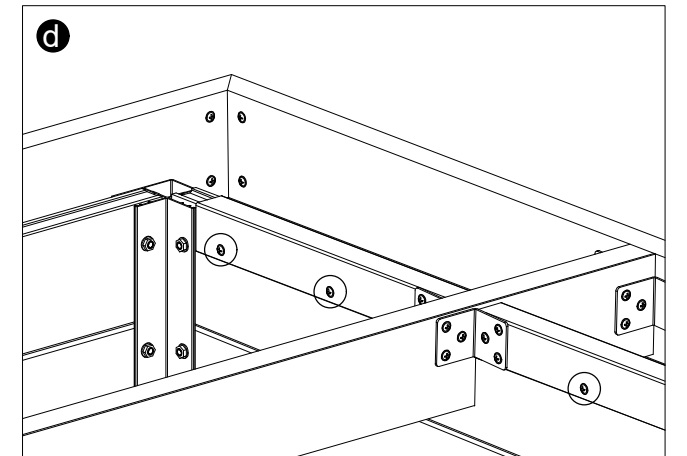
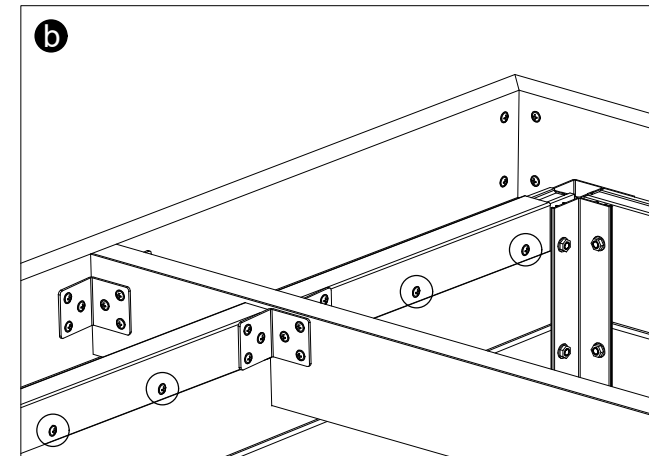
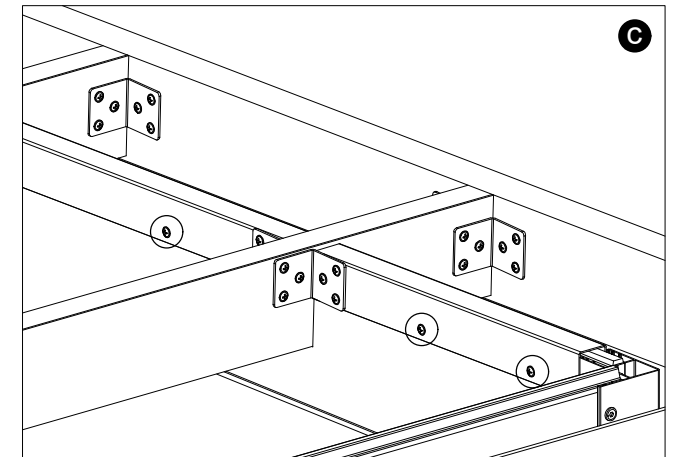
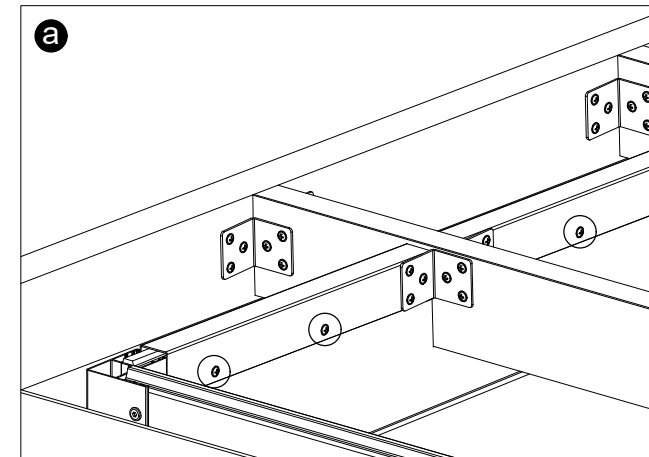
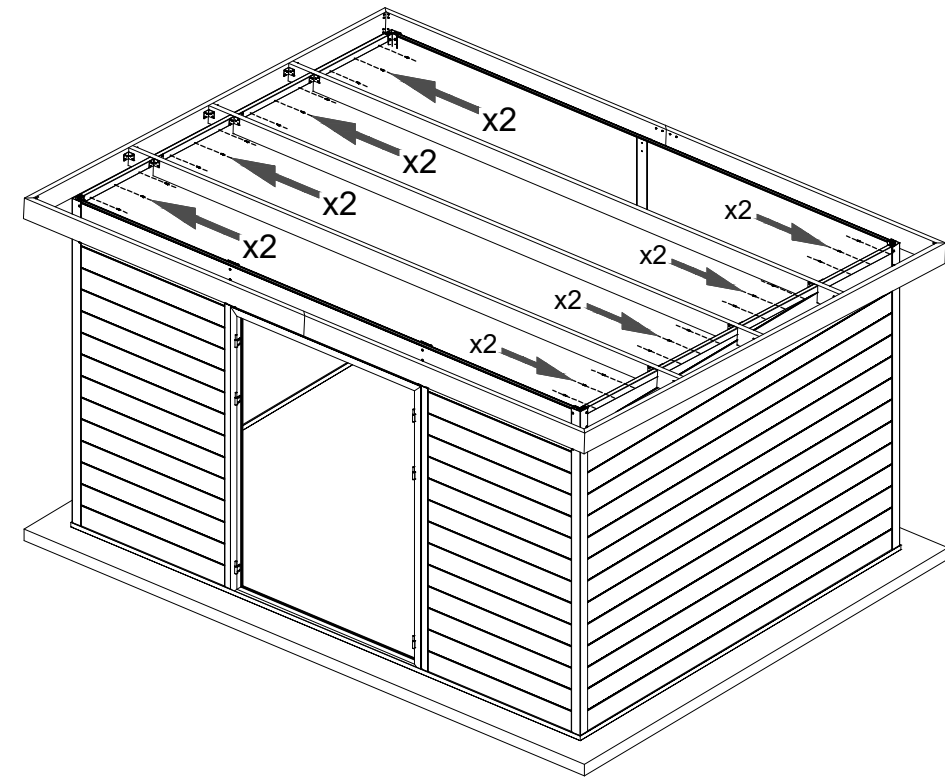
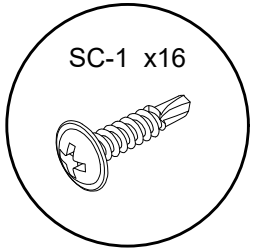


STEP 15 : Connecting Together

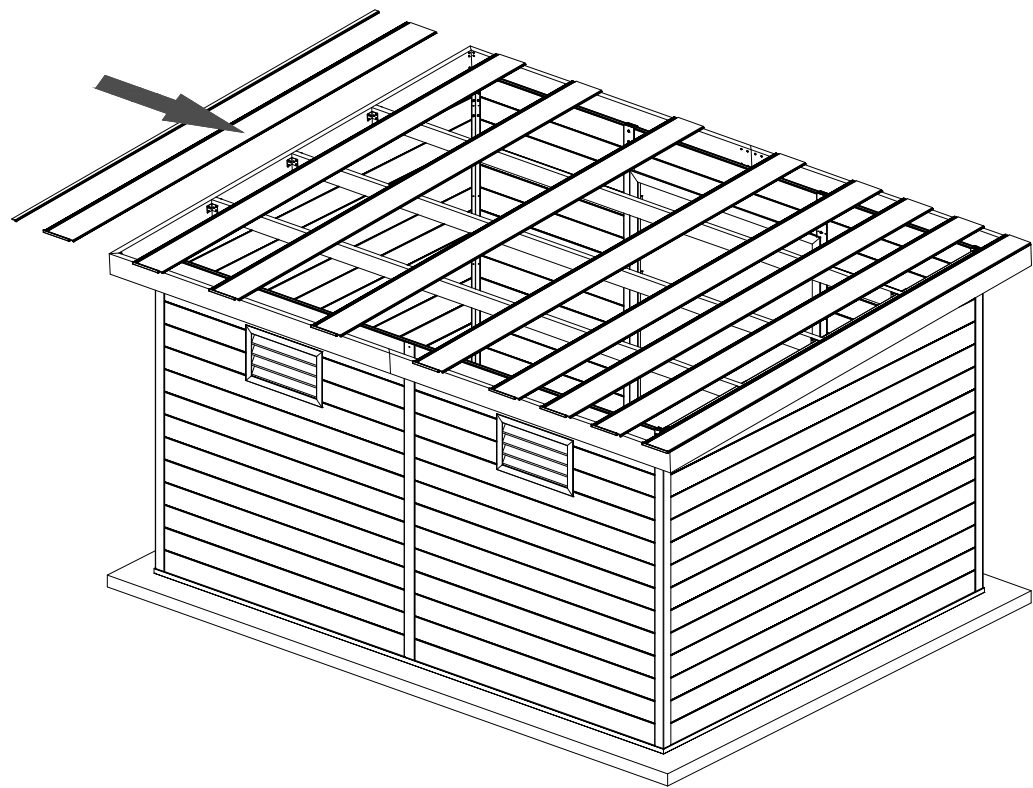
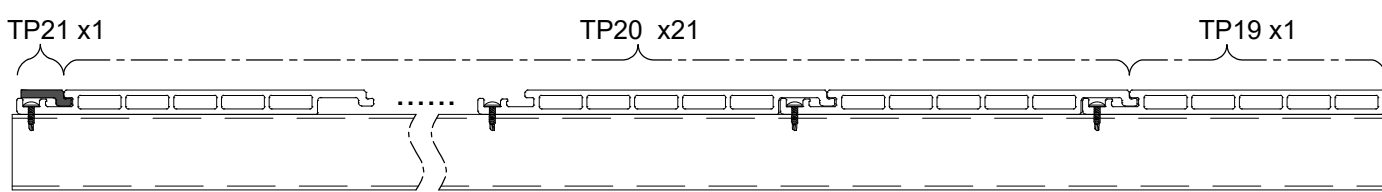
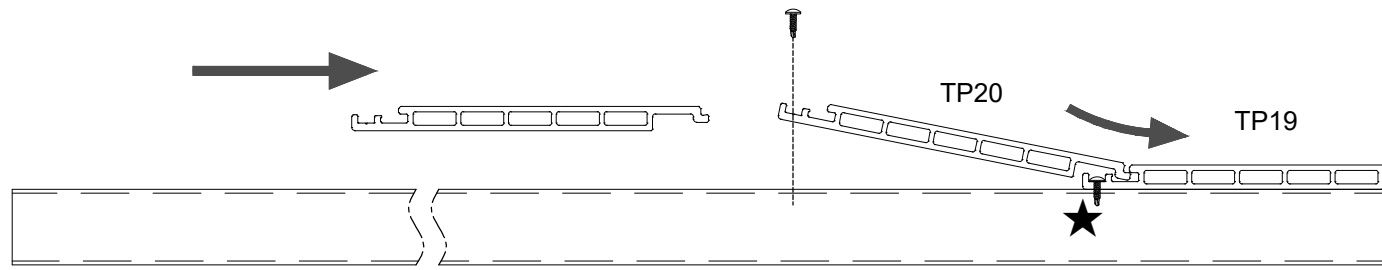
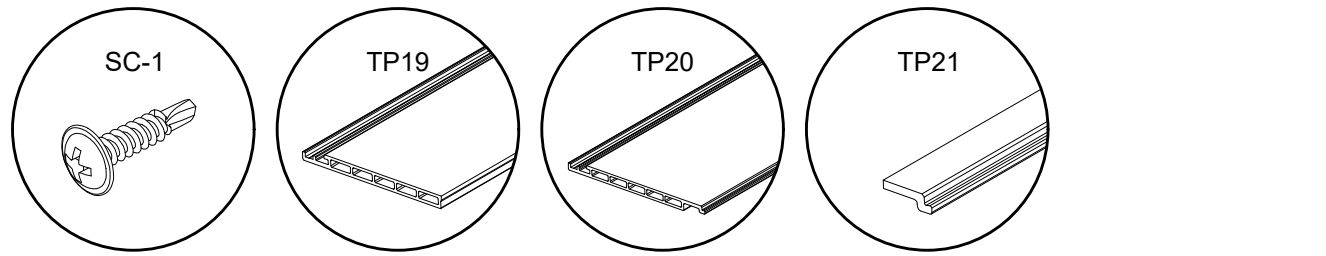
A = B = C = D ≈ 238mm



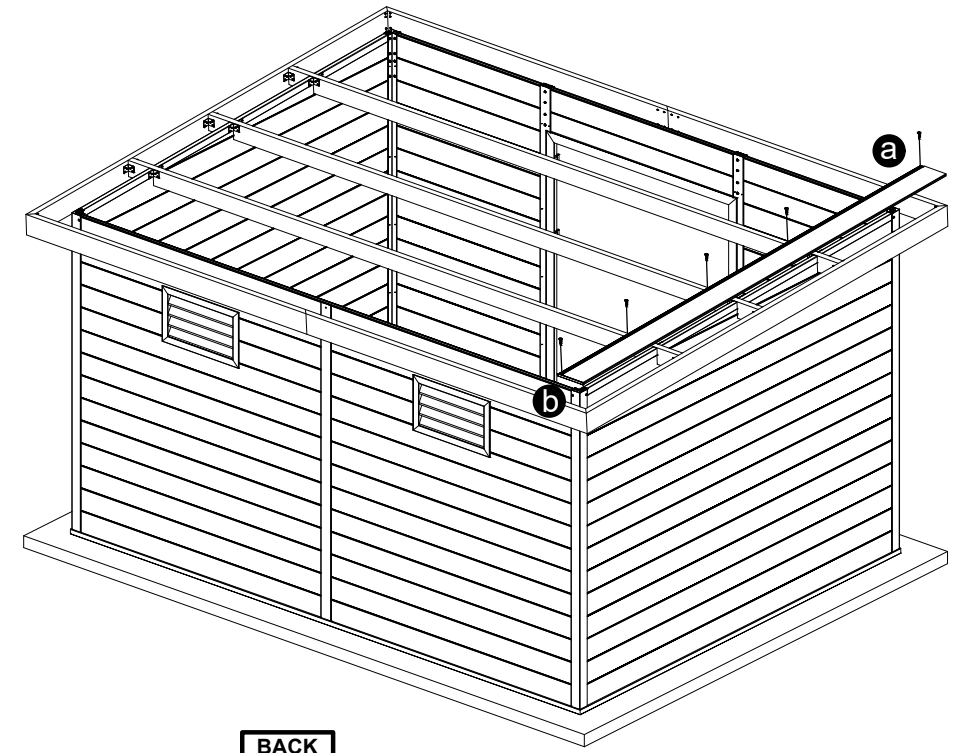
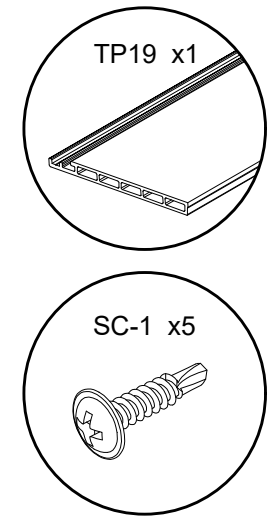
STEP 16 : Strengthening connections



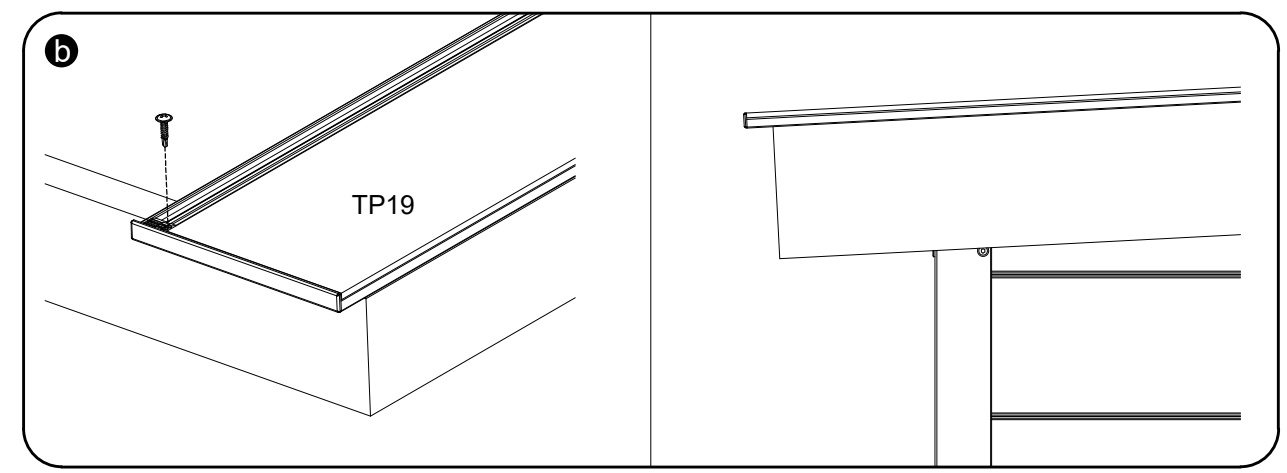
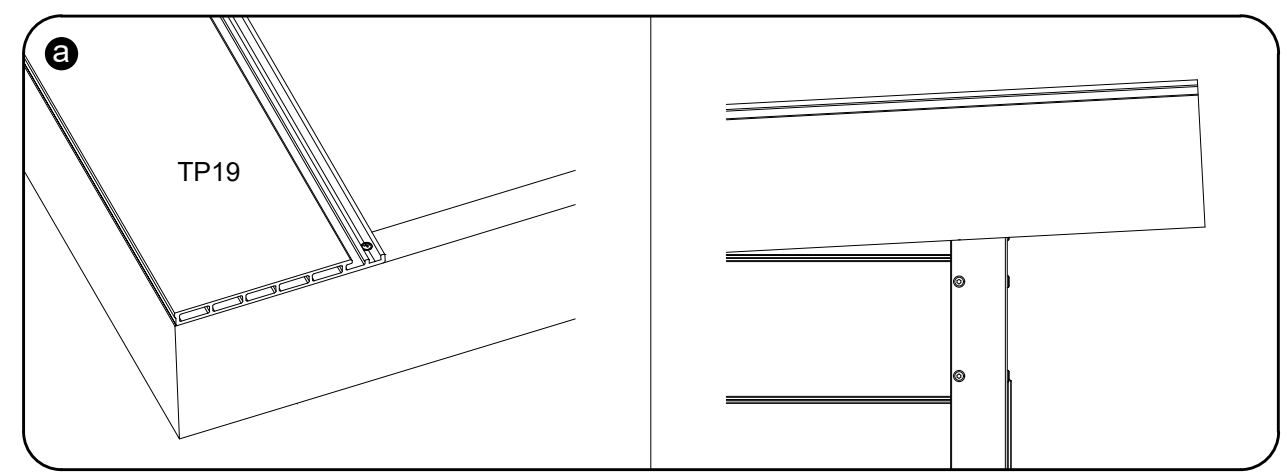
The top roof panel.



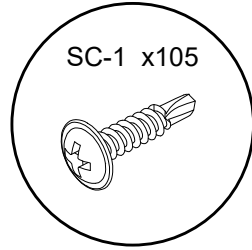
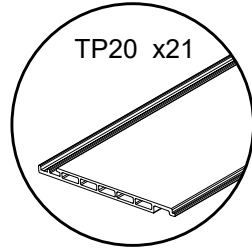
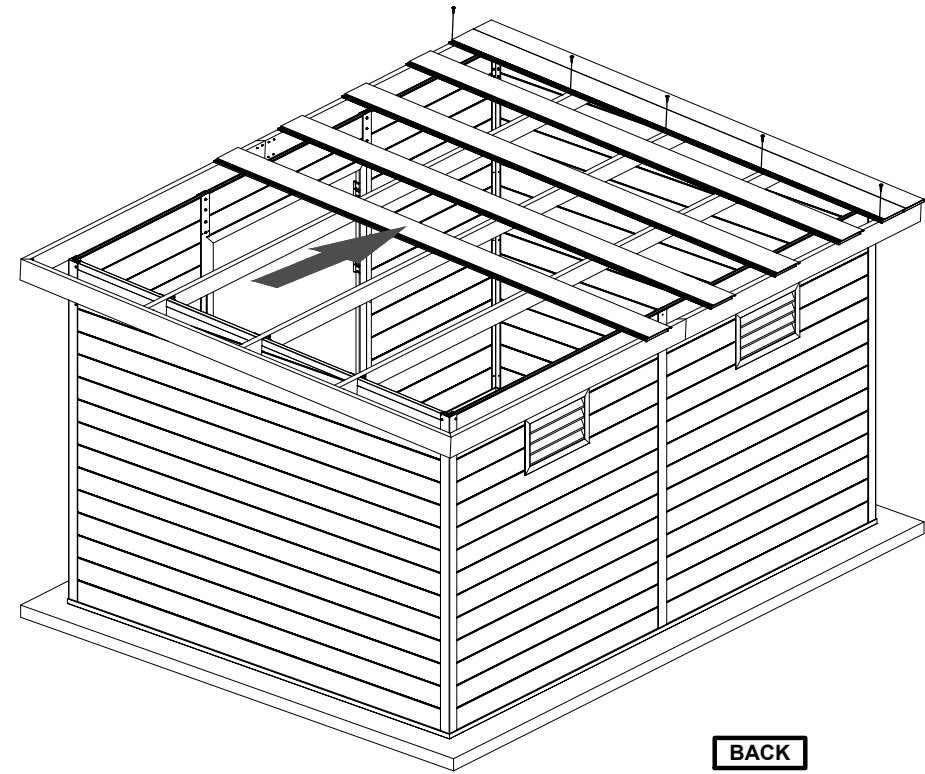
STEP 17 : The installation of top roof panel.



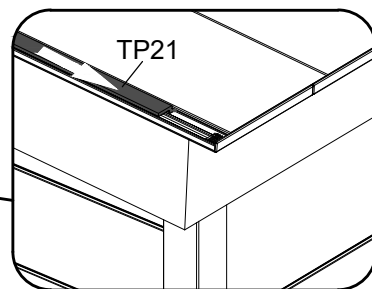
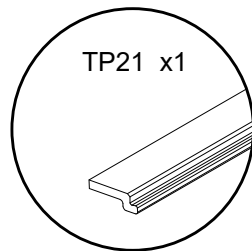
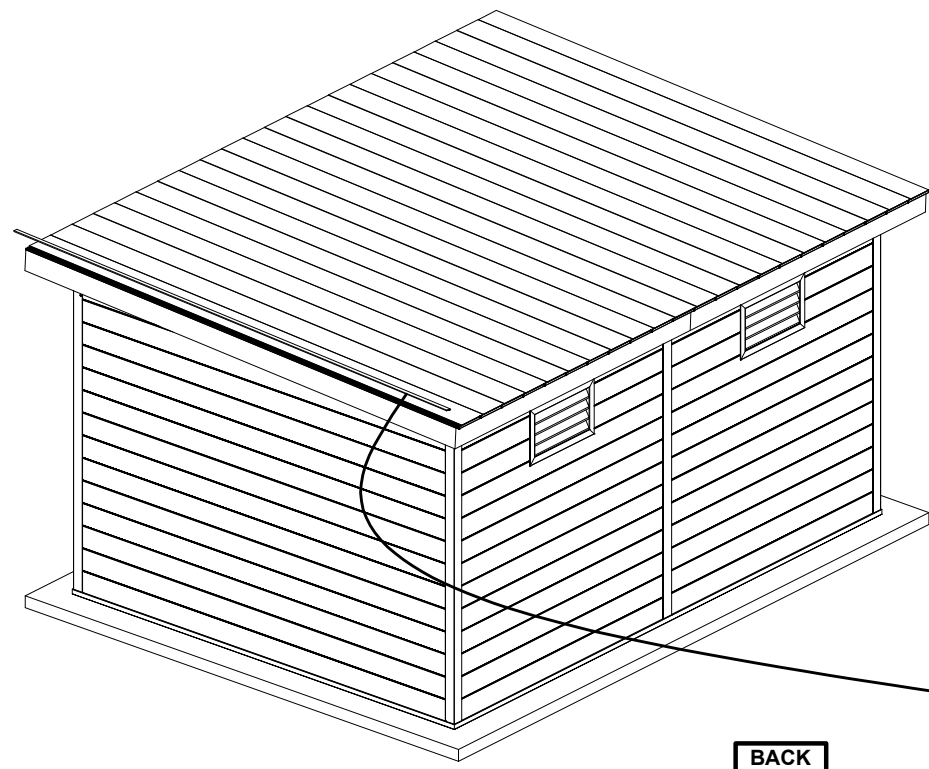
BACK



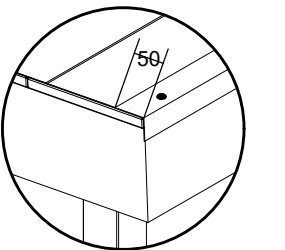
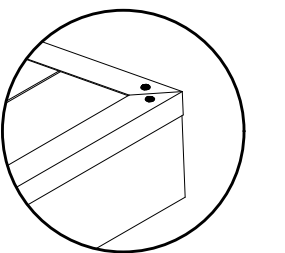
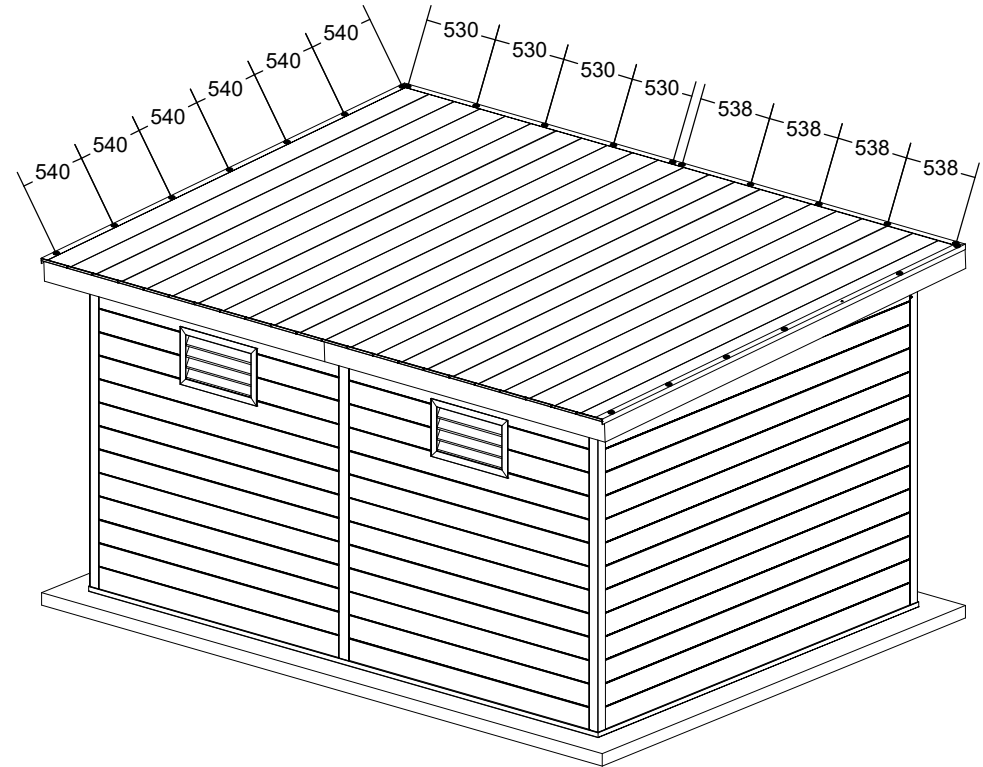
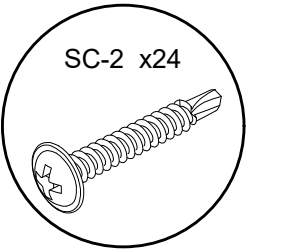
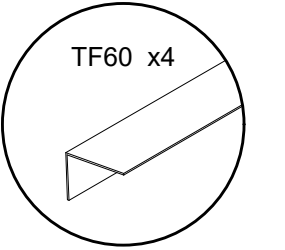
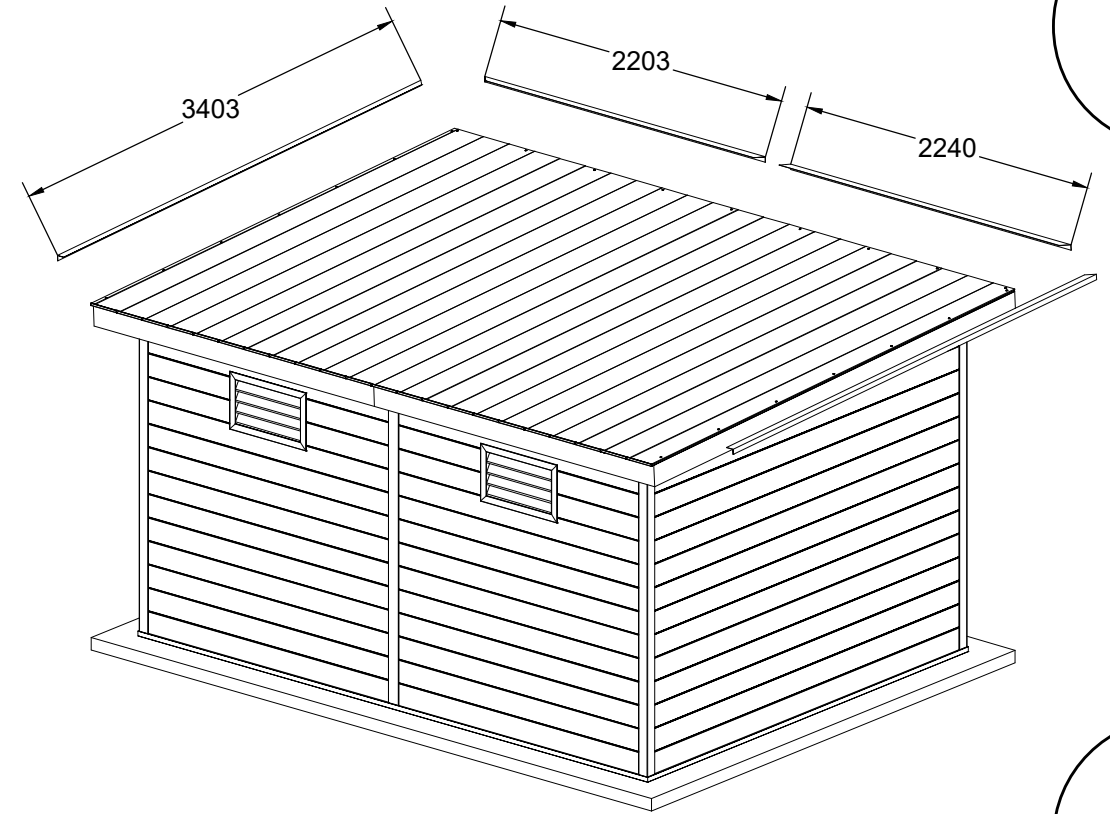
STEP 18 :



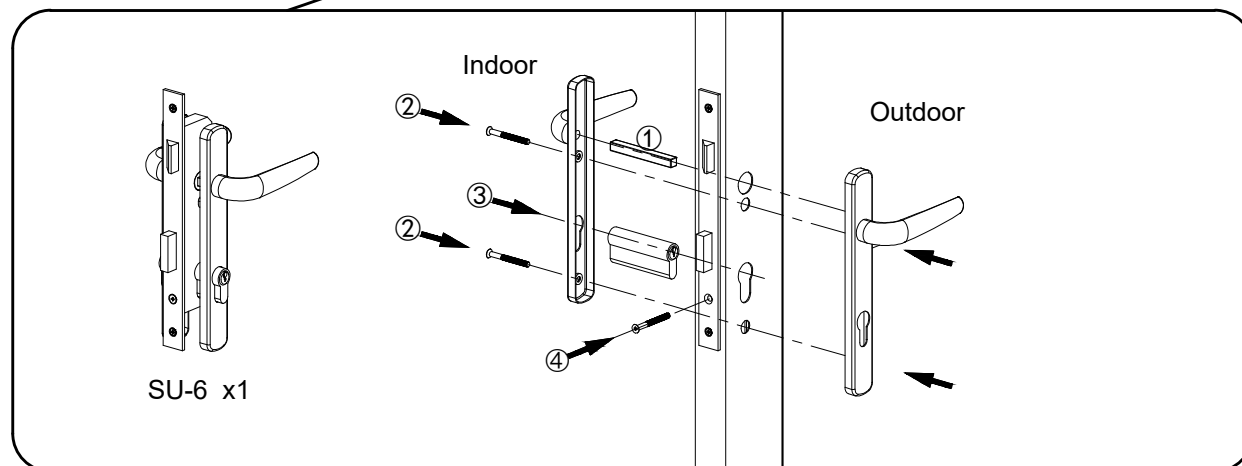
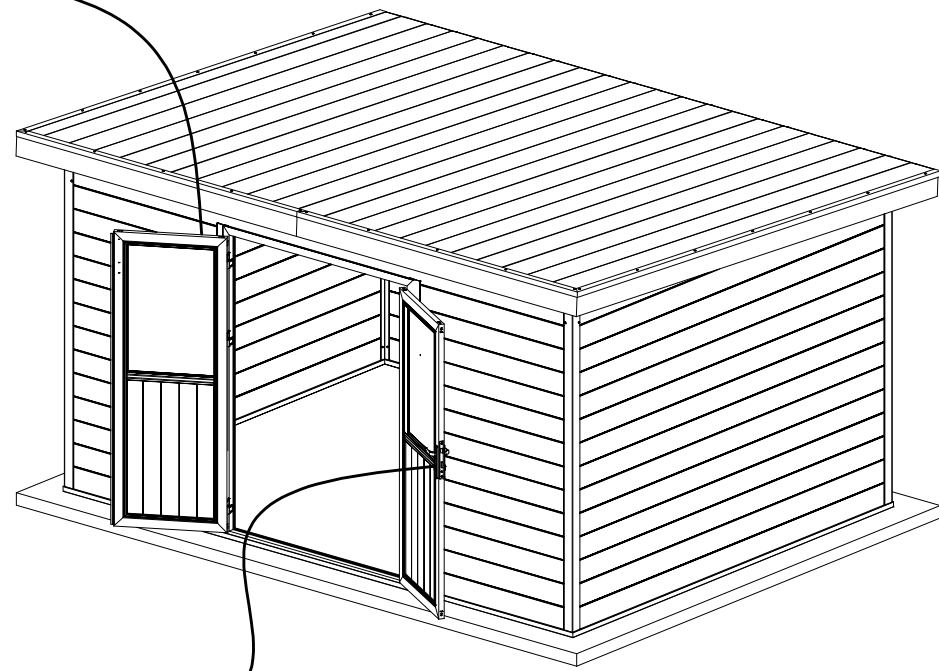
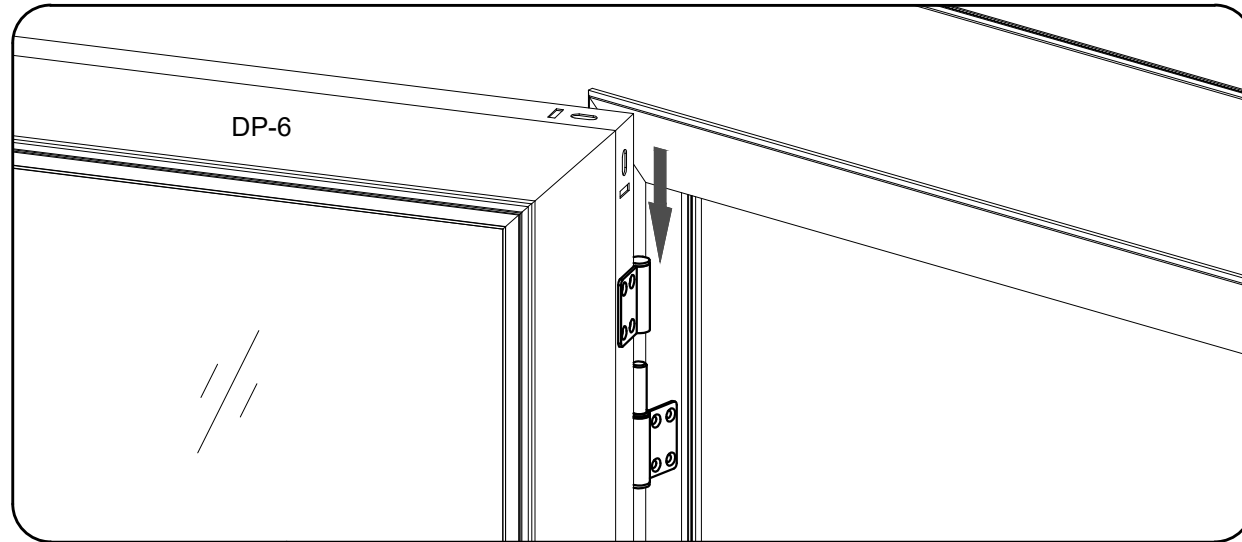
STEP 19 :



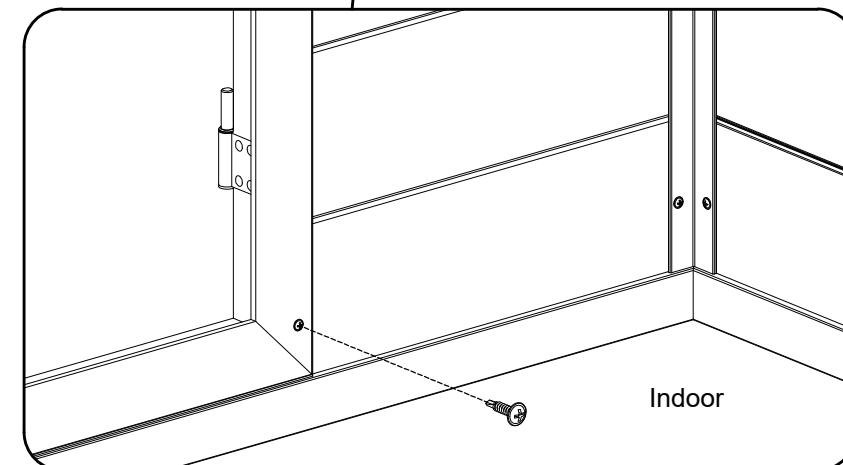
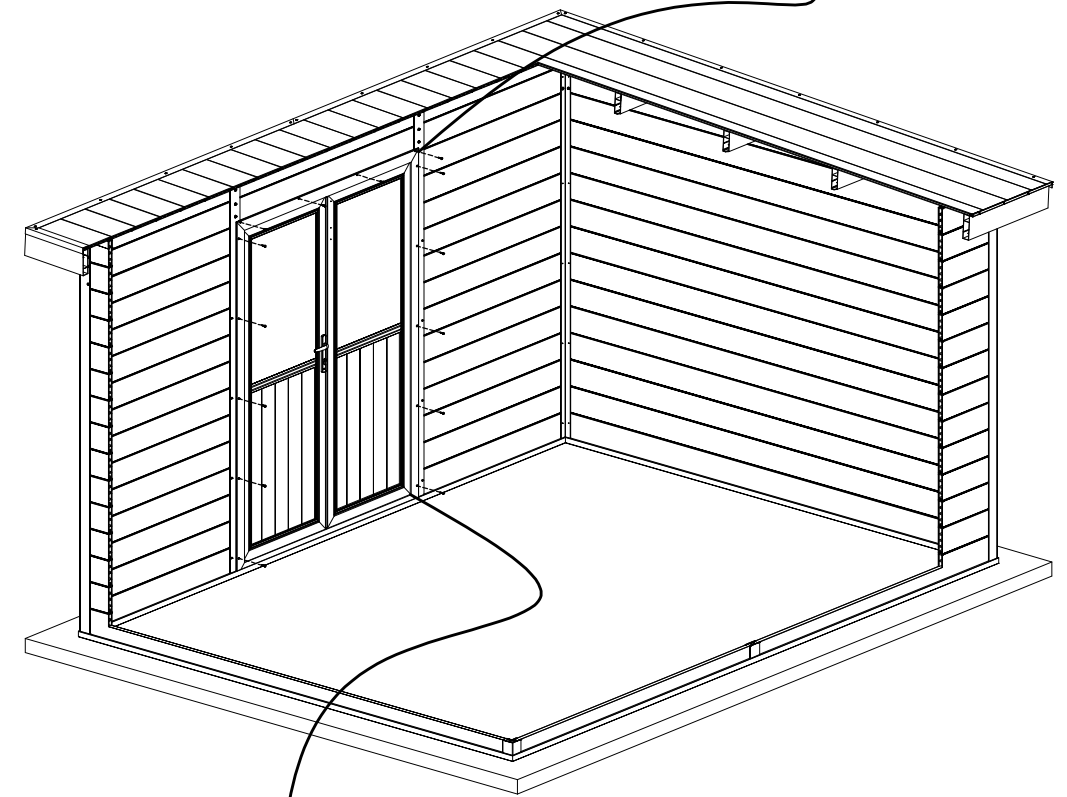
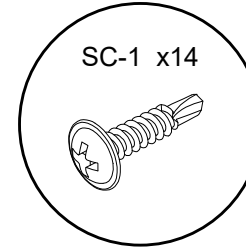
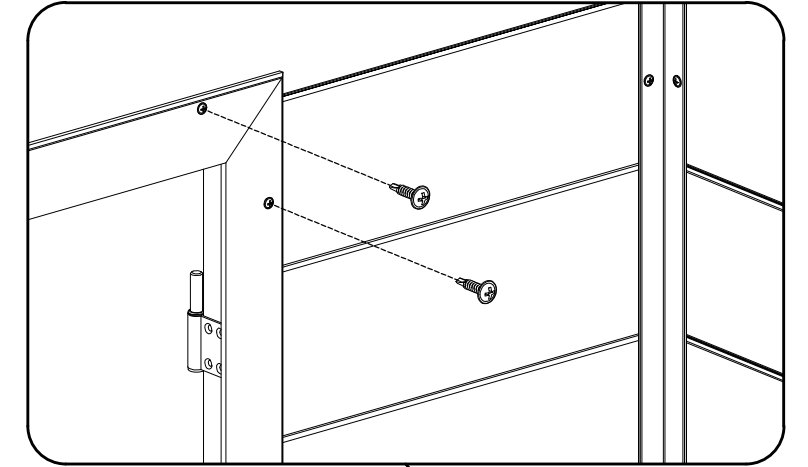
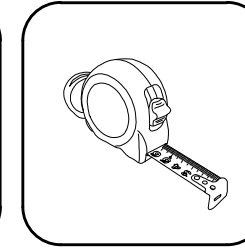
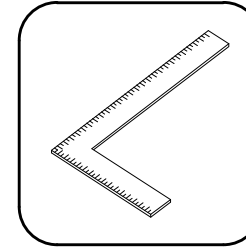
STEP 20:



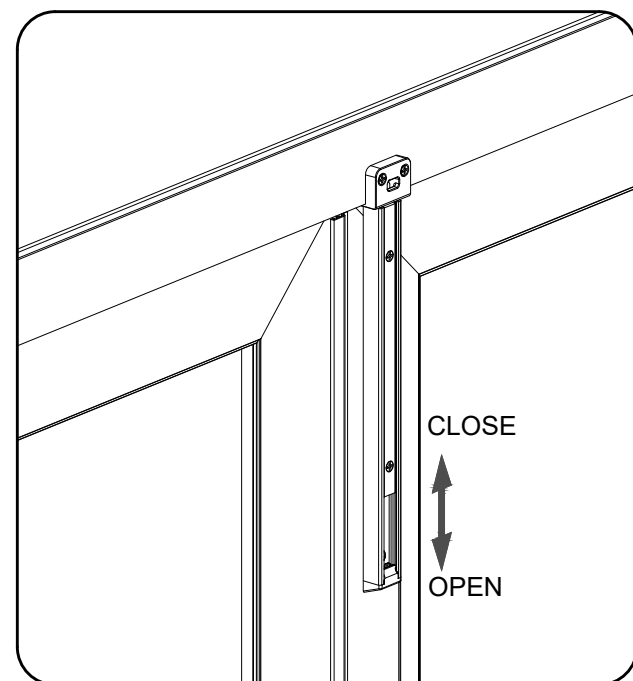
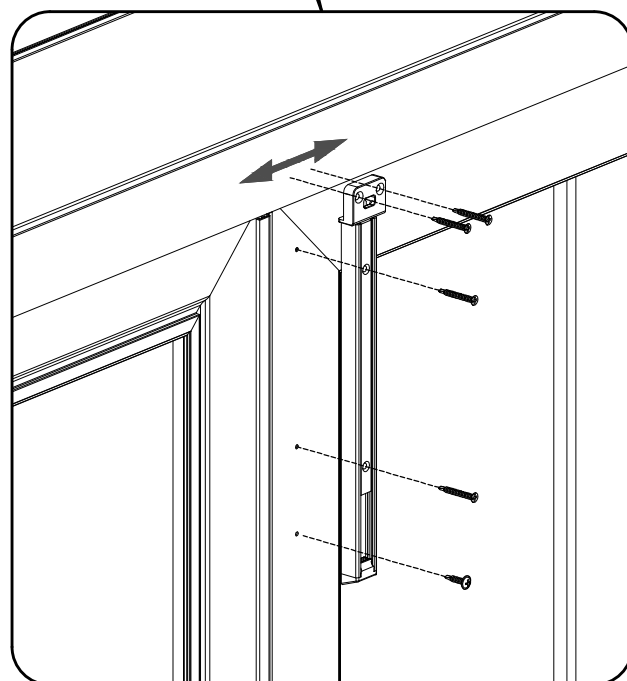
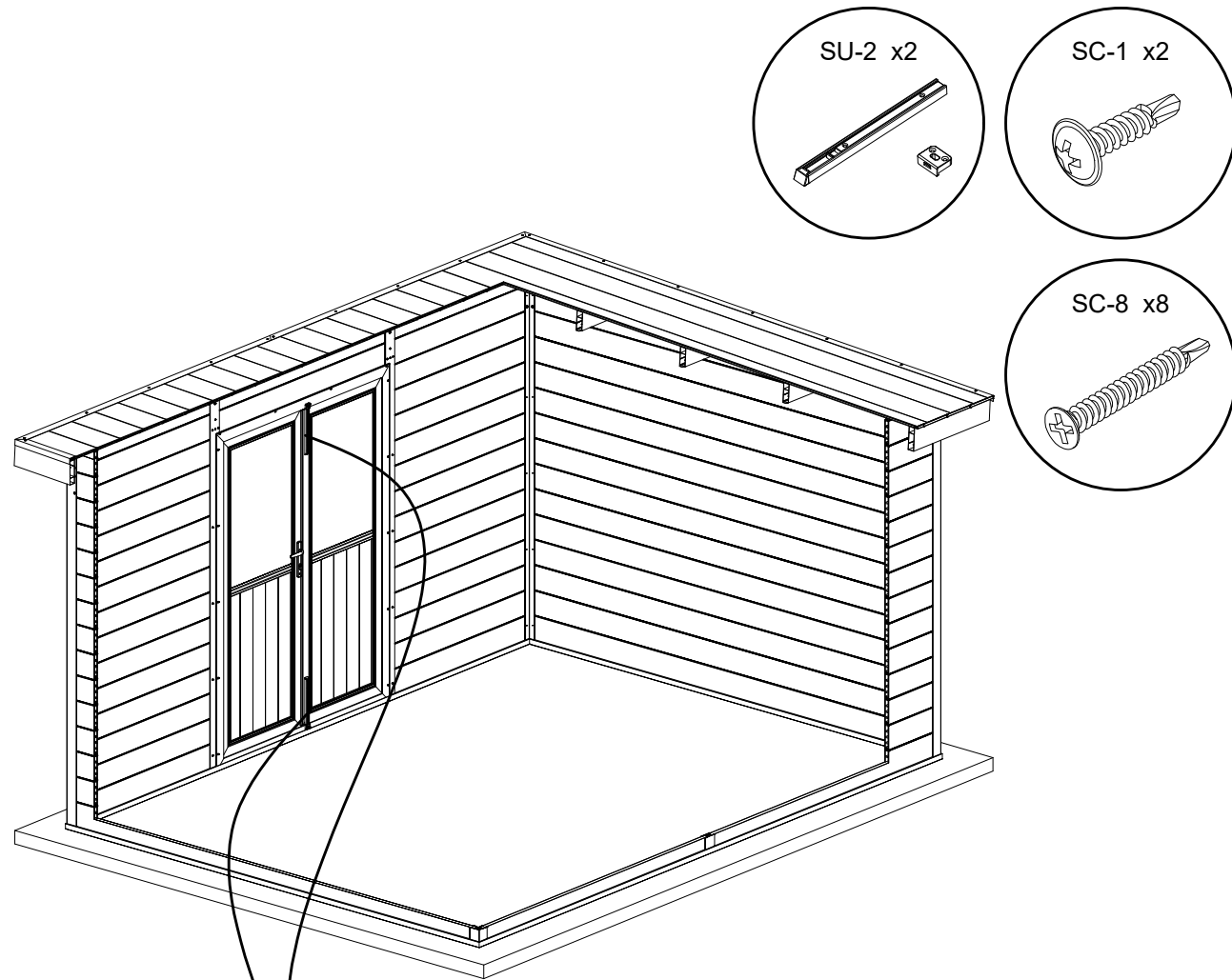
STEP 21 : DOOR and LOCK



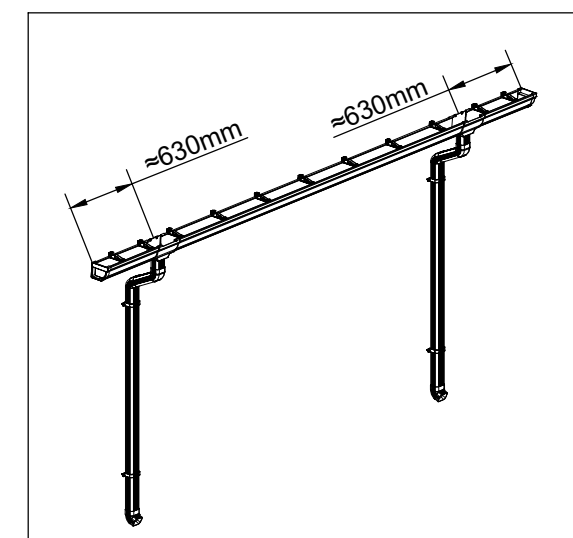
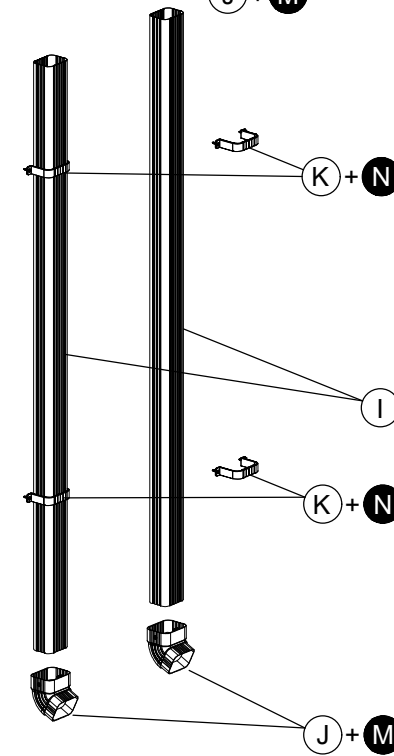
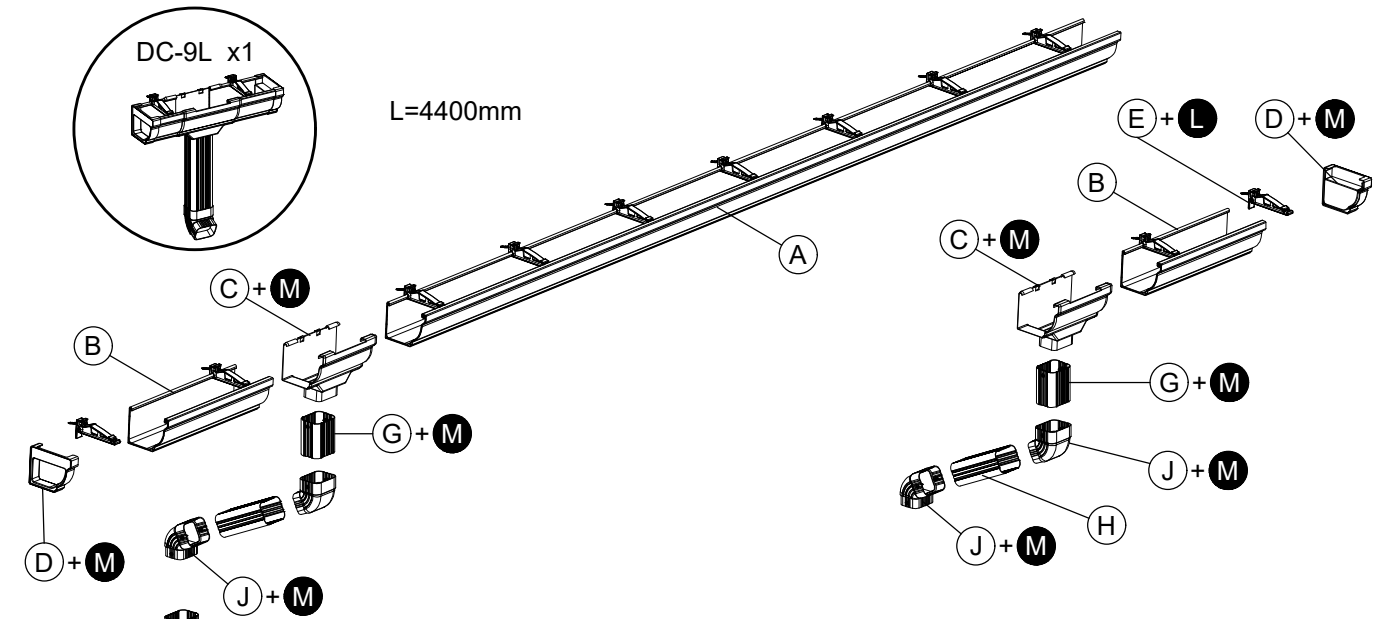
STEP 22 : Connecting Together



STEP 23 :

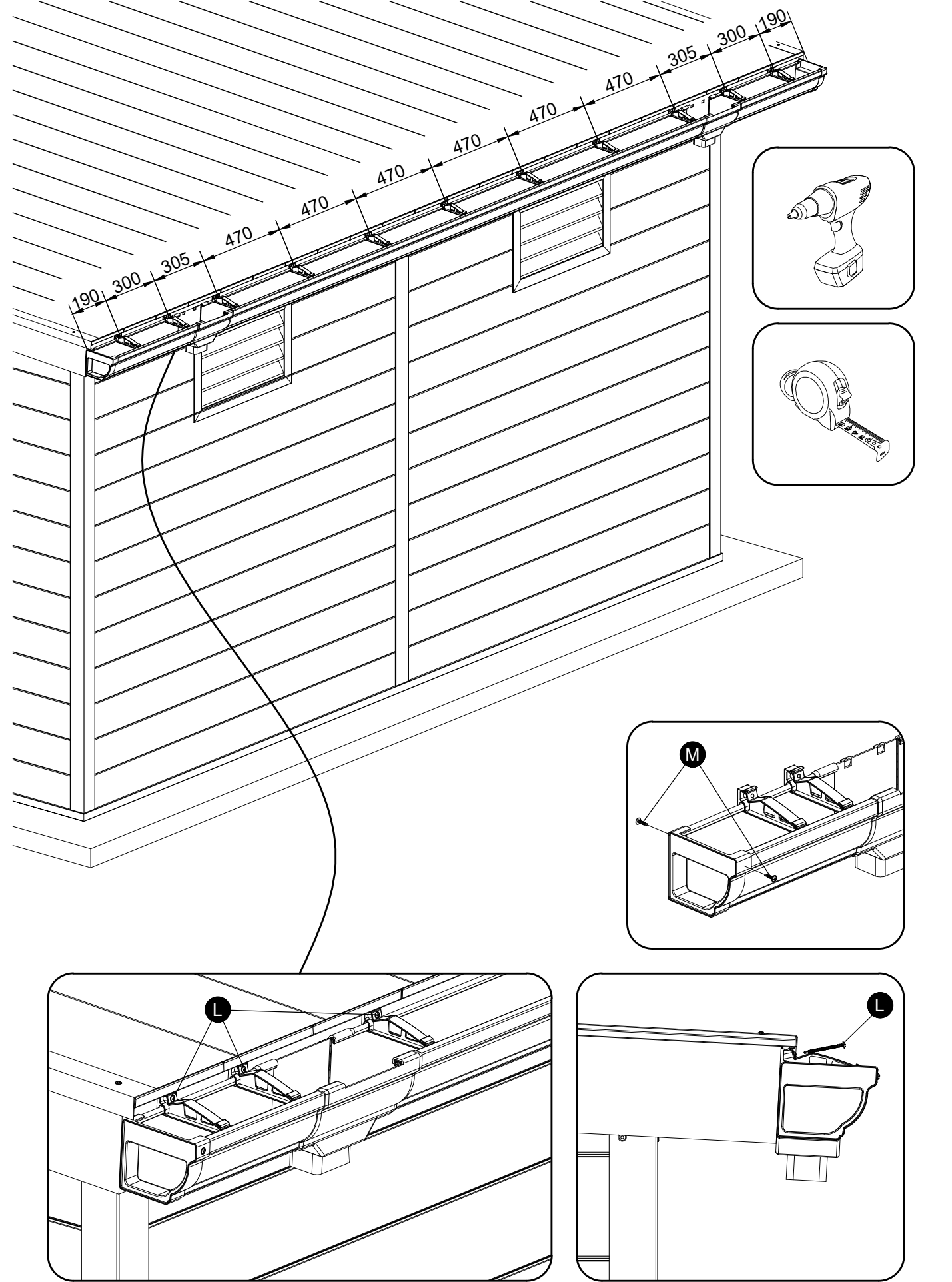


Optional accessory: Gutter System



(A)		L=3000mm	1
(B)		L=560mm	2
(C)		/	2
(D)		/	1+1
(E)		/	11
(F)			
(G)		L=100mm	2
(H)		L=165mm	2
(I)		L=1600mm	2
(J)		∠65°	6
(K)		/	4
(L)		M4.2x50mm	15
(M)		M4.2x19mm	40
(N)		M4x25mm	12

Installation of Gutter



Installation of drainage pipe

