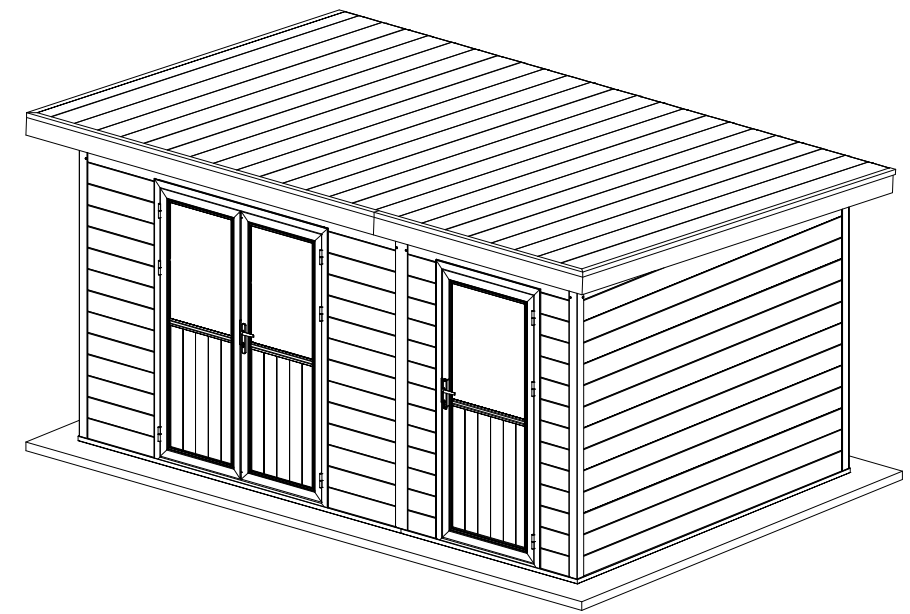


WPC GARDEN SHEDS INSTALLATION MANUAL FOR H038-B

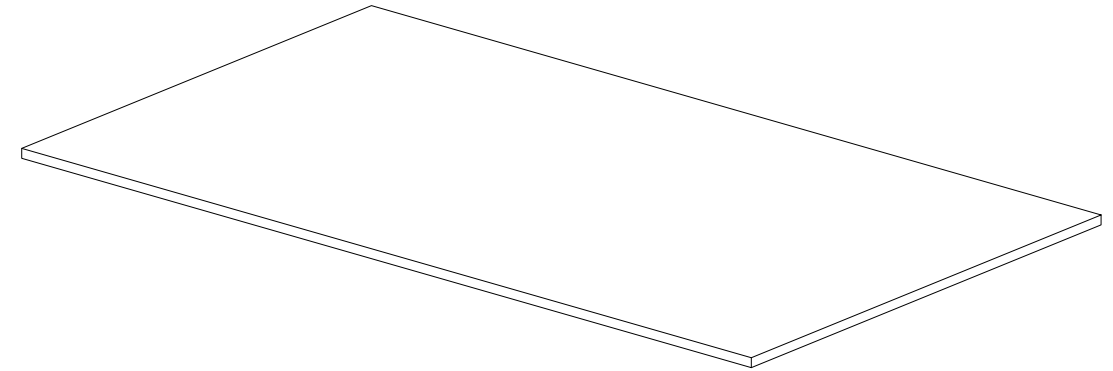


Contents

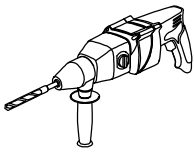
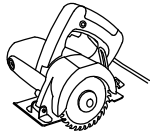

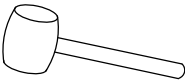
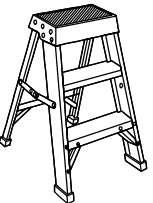
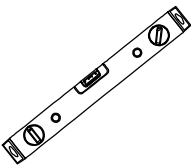
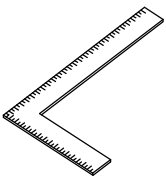
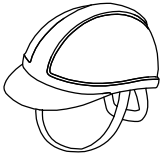




1. Contents	_____	Page 01
2. Installation Requirement	_____	Page 02
3. List of components	_____	Page 03~04
4. Variation 1: Install of the smaller room on the right side	_____	Page 05~26
5. Variation 2: Install of the smaller room on the left side	_____	Page 27~48
6. The installation of window fastener	_____	Page 49~50
7. Optional accessory: Gutter System	_____	Page 51~54

Installation Requirement :

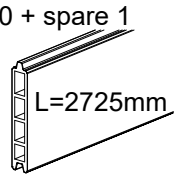
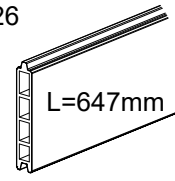
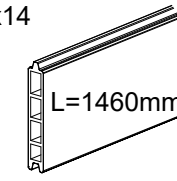
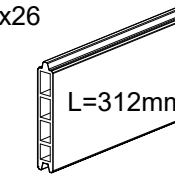
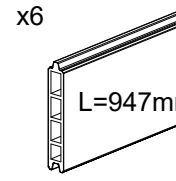
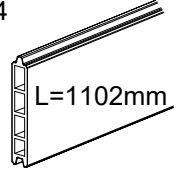
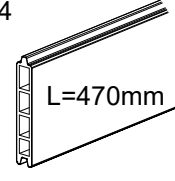
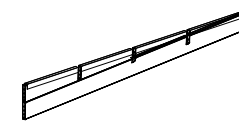
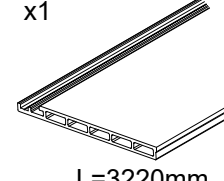
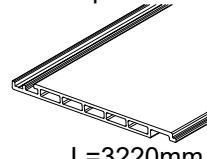
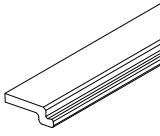
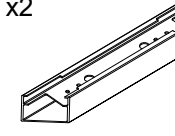
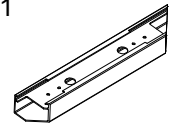
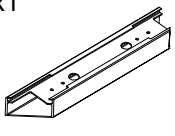
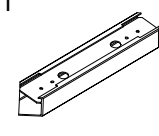
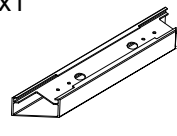
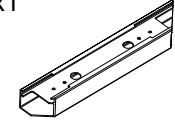
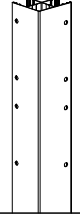



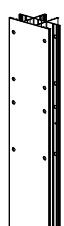
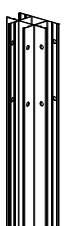
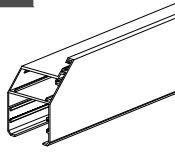
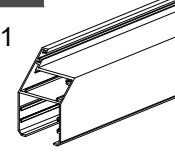
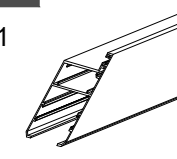
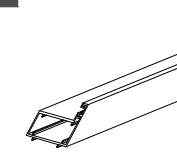
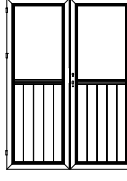
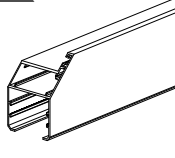
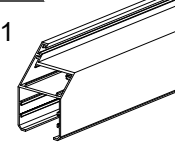
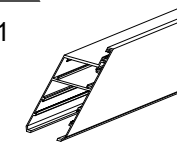
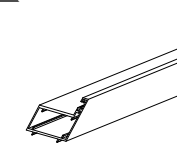

When do the assembling of a garden shed, a hard and flat ground without slope is needed. Please also make sure that the installation site has a good ventilation and drainage condition.



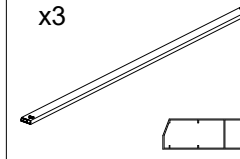
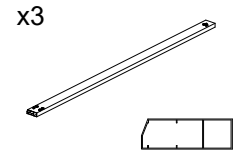
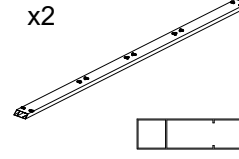
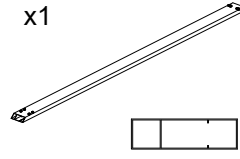
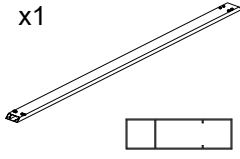
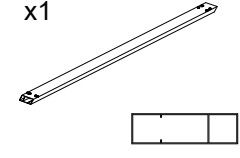
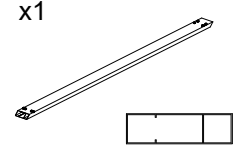
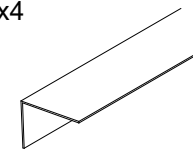
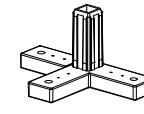
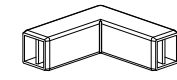
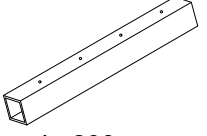
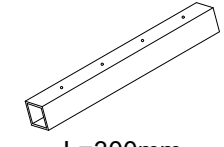
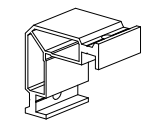
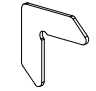
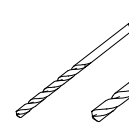
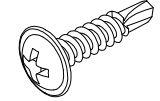
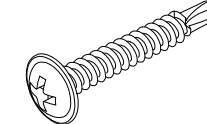
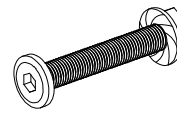


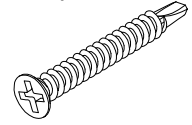

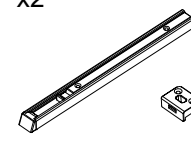
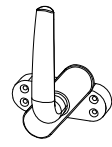
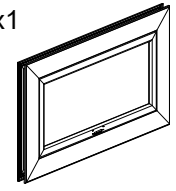
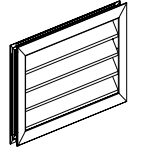
When dealing with any type of construction project, it is necessary to wear appropriate safety equipment to avoid any risk of injuries. We recommend but not only limited to the following safety equipment when handling, cutting, and installation : gloves, eye protector, respirator, long sleeves and pants.

Impact electric drill 	Cutting machine 	Electric screwdriver 	Tape & Hammer 	Ladder 
Levelling Instrument 	L-square 	Safety helmet 	Goggles 	Work clothes 
gloves 	protective shoes 			

List of components

WP100 x50 + spare 1  L=2725mm	WP101 x26  L=647mm	WP102 x14  L=1460mm	WP103 x26  L=312mm	WP104 x6  L=947mm
WP117 x4  L=1102mm	WP118 x4  L=470mm	WP106 x3  L=2725mm	TP34 x1  L=3220mm	TP35 x23 + spare 1  L=3220mm
TP36 x1  L=3220mm			BF30 x2  L=2810mm	BF31 x1  L=2787.5mm
BF32 x1  L=2787.5mm	BF33 x1  L=2765mm	BF34 x1  L=1522.5mm	BF35 x1  L=1522.5mm	MF6 x1 
MF7 x1 	MF8 x1 	MF9 x1 	MF31 x1 	MF32 x1 
DF1 x1  L=1965mm	DF2 x1  L=1965mm	DF3 x1  L=1500mm	DF4 x1  L=1430mm	DP-6 x1 
DF11 x1  L=1965mm	DF12 x1  L=1965mm	DF13 x1  L=900mm	DF14 x1  L=830mm	DP-4 x1 

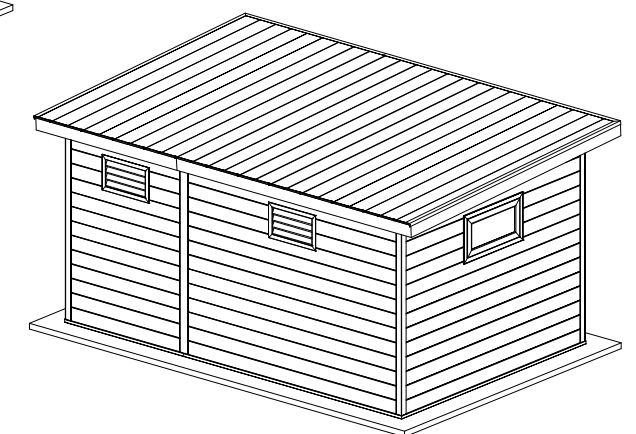
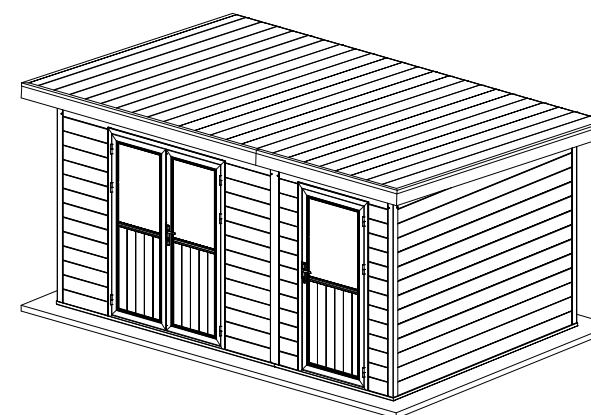
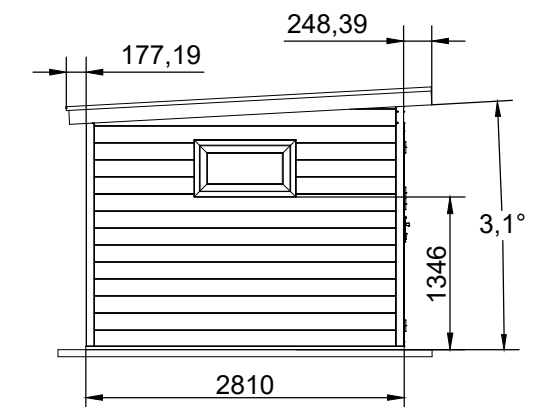
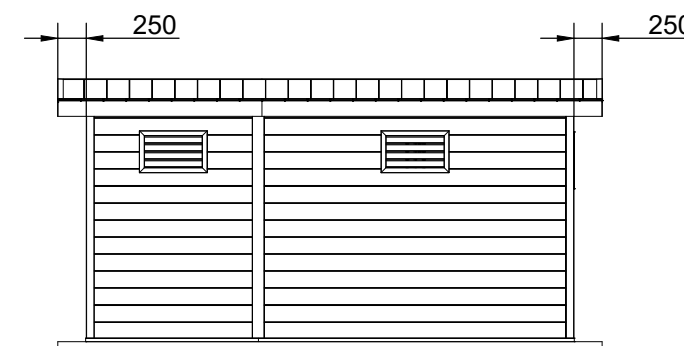
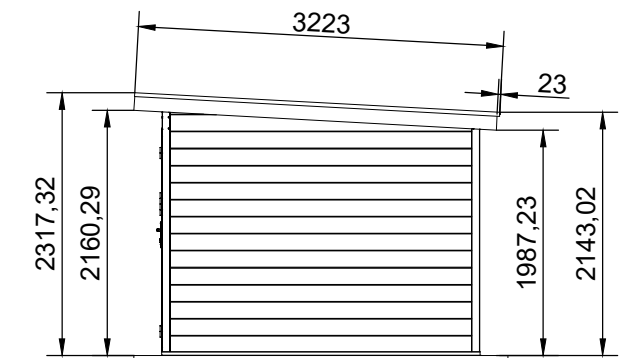
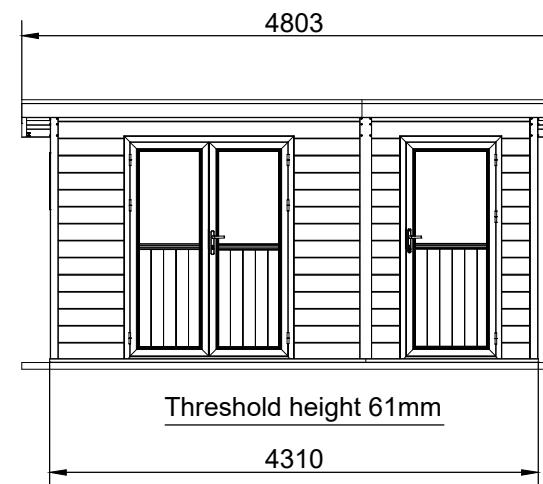
List of components

TF121 x3  L=3120mm	TF122 x3  L=1600mm	TF123 x2  L=3200mm	TF124 x1  L=3000mm	TF125 x1  L=3000mm
TF126 x1  L=1840mm	TF127 x1  L=1840mm	TF128 x4 	UC038 x3 UC038-1 565mm x3 UC038-2 658mm x6 UC038-3 652mm x3	
CL-1 x4 	CL-2 x2 	CL-3 x8 	CL-4 x30 + spare 2 	CL-6 x6  L=200mm
CL-7 x4  L=300mm	CL-8 x8 	CL-9 x8 + spare 2 	Drill 1 , Drill 2 1+1  Ø2.8 Ø7	other spare parts x5 
SC-1 x556 + spare 144  M4.2x19mm	SC-2 x22 + spare 8  M4.2x30mm	SC-4 x42 + spare 3  M6x40mm	SC-5 x14 + spare 2  Ø8x80mm	SC-7 x16 + spare 2  M6
SC-8 x8 + spare 2  M4.2x30mm	SC-9 x4 + spare 2  M4.2x25mm			
SU-1 x2  8530	SU-2 x2 	SU-3 x1 	WD1 x1 	WD5 x2 

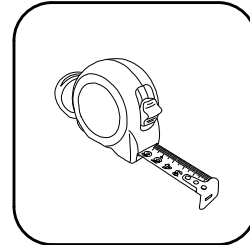
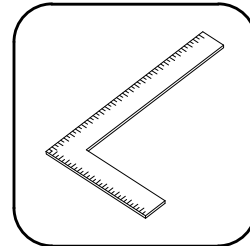
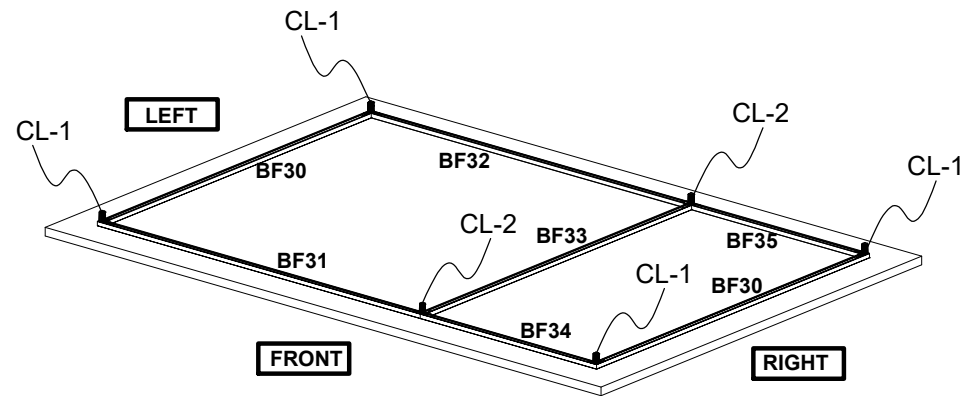
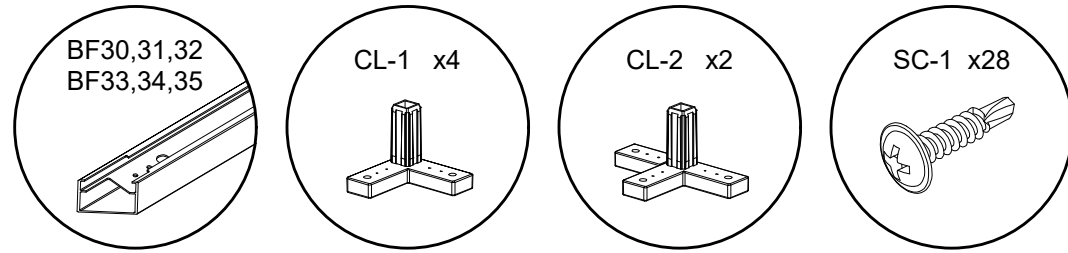
**Variation 1:
Install of the smaller room on the right side**



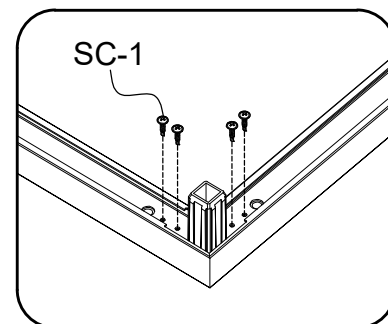
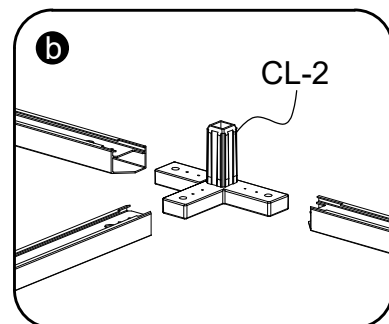
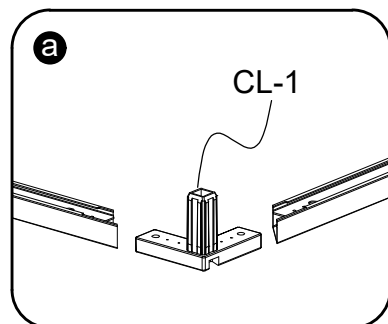
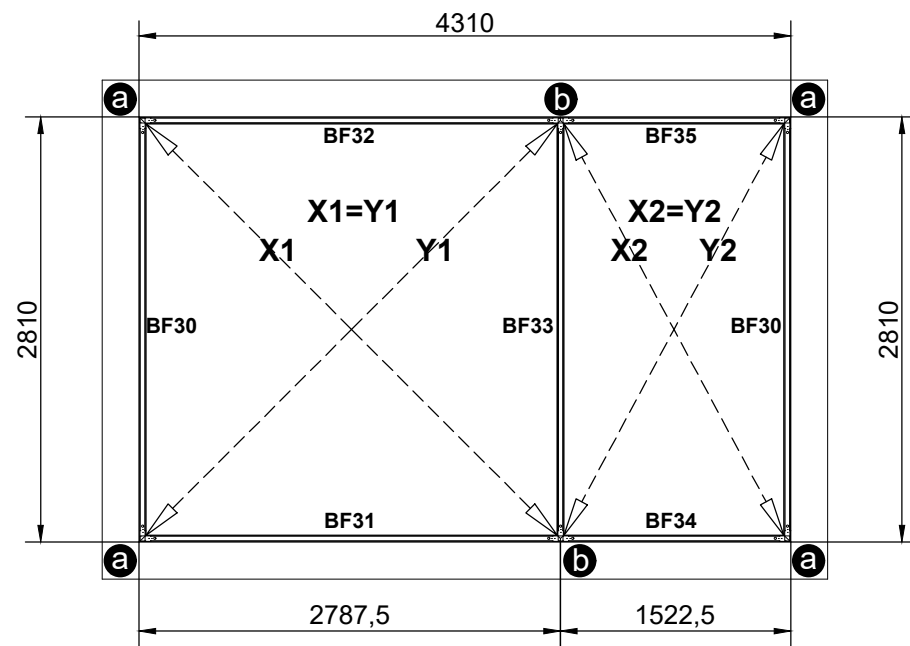
APPEARANCE & SIZE :



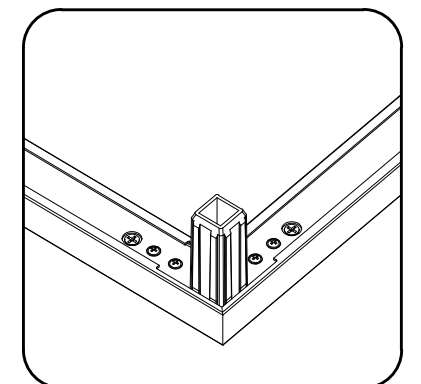
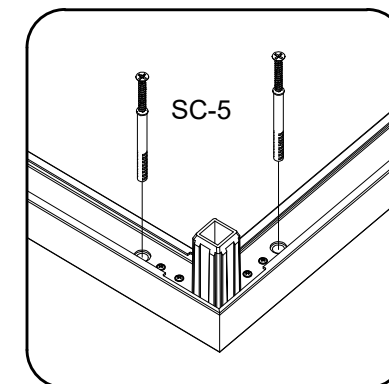
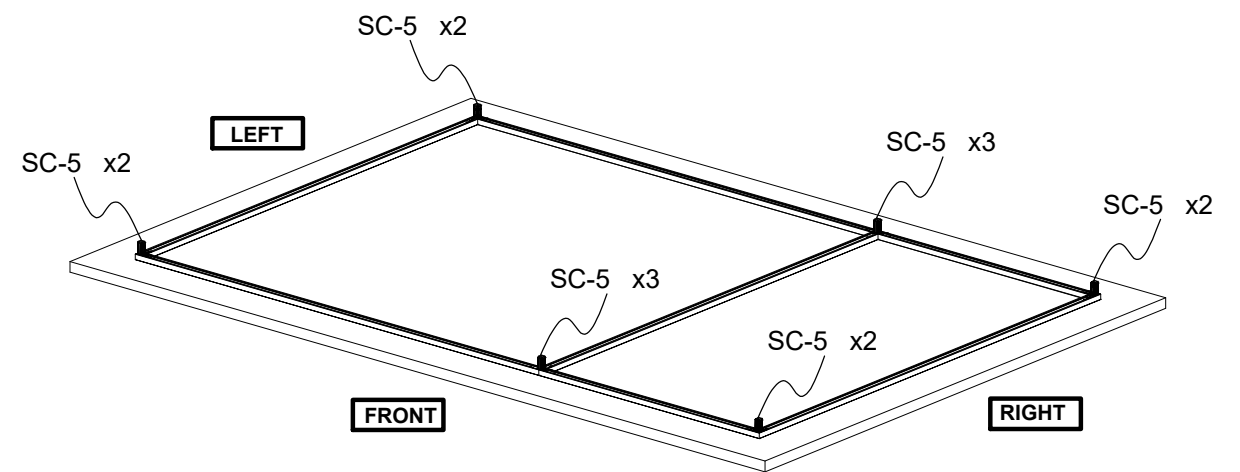
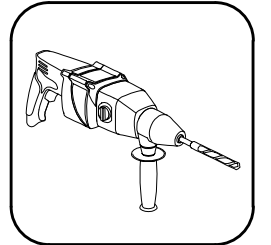
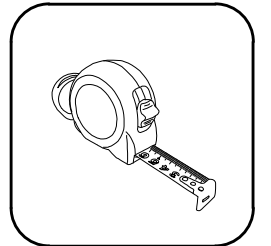
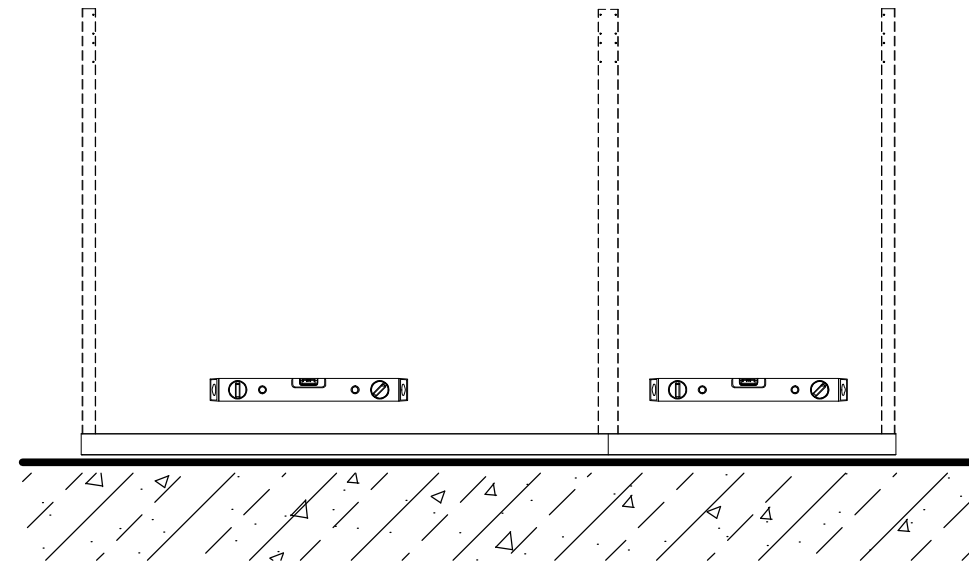
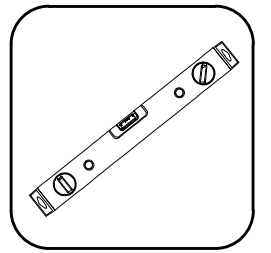
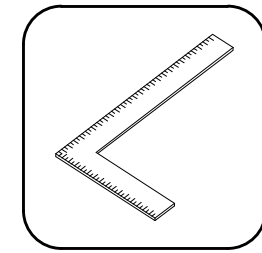
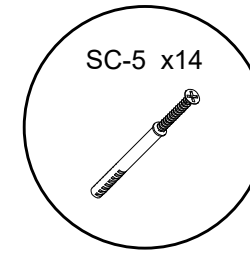
STEP 1 :



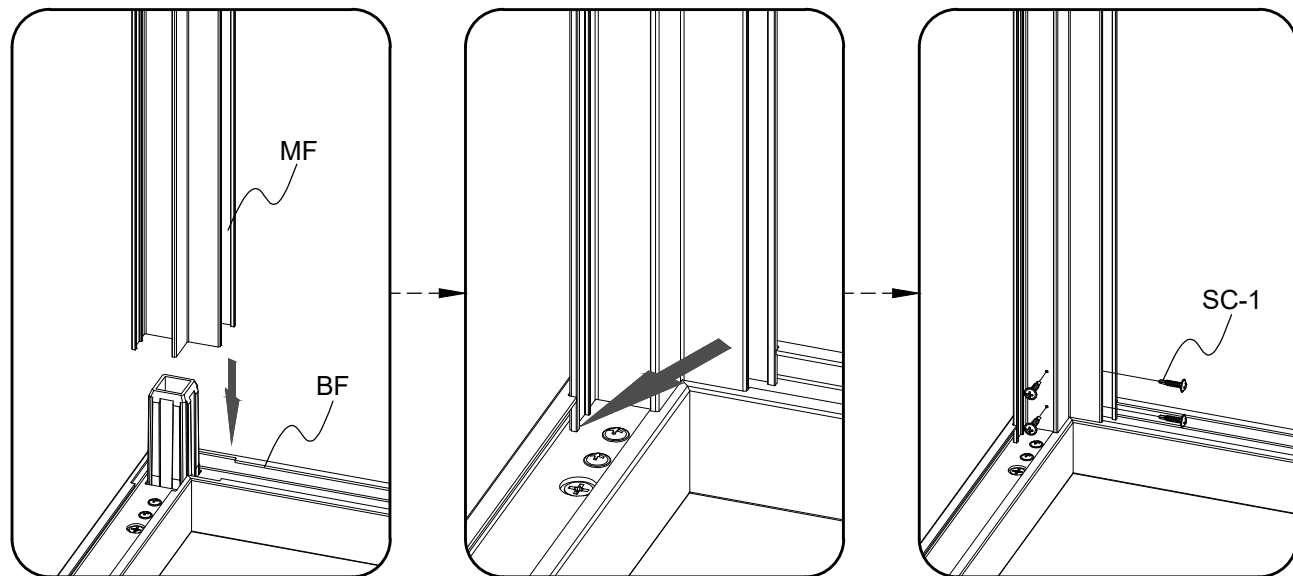
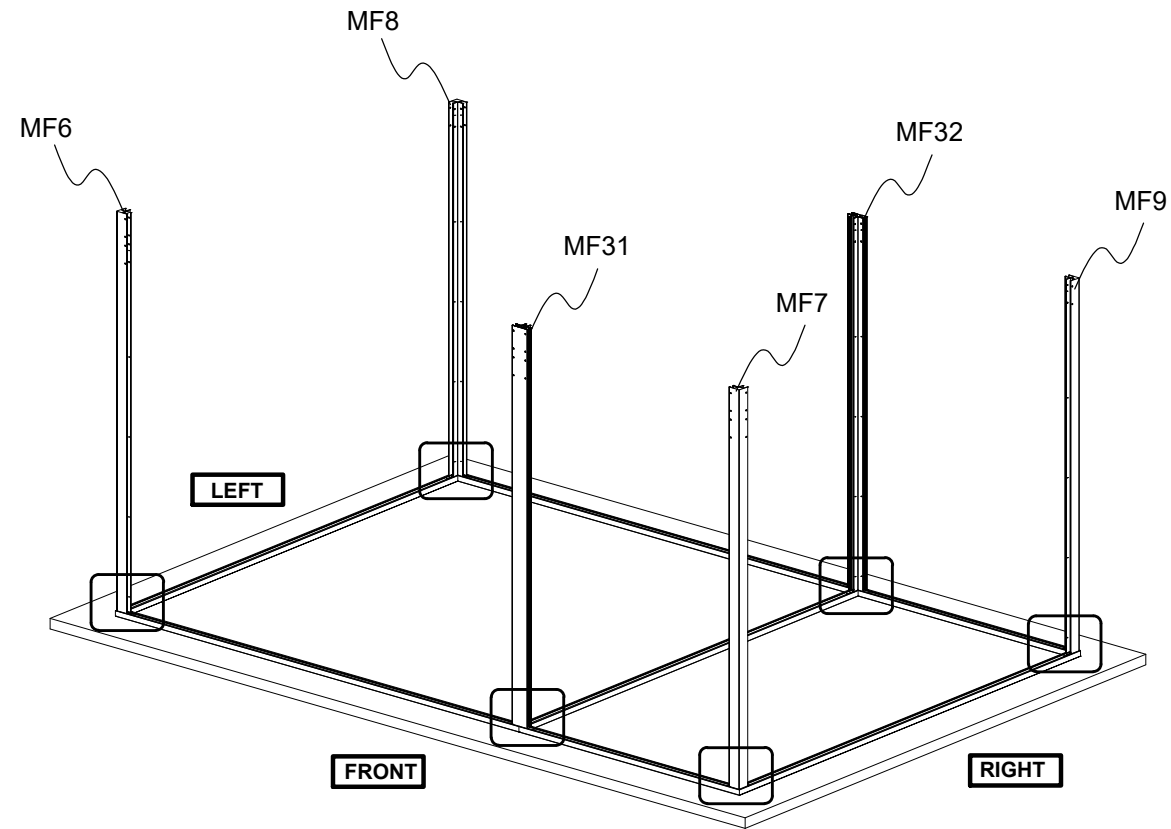
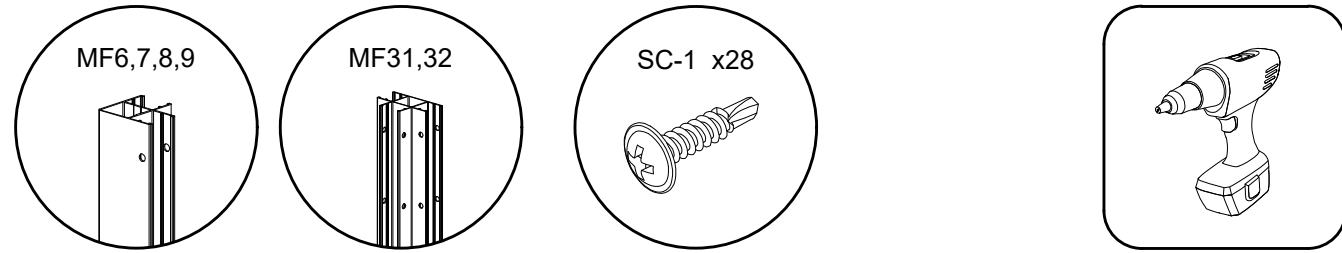
Dimension:



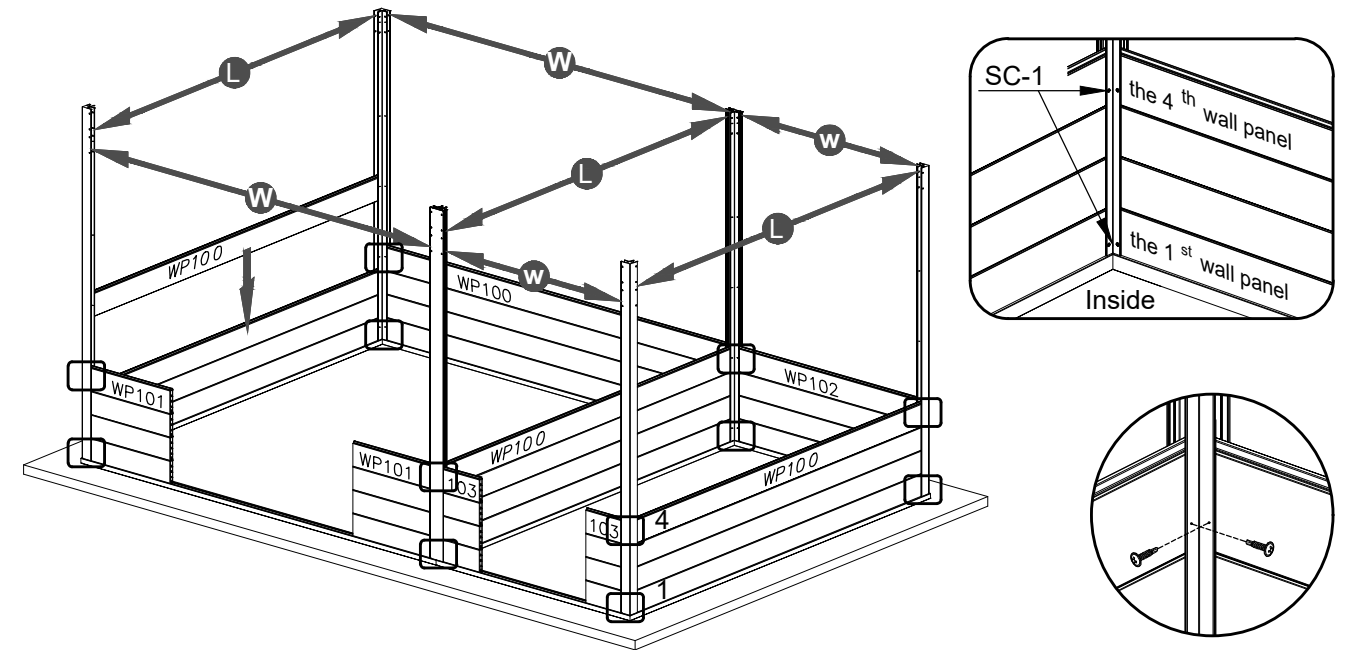
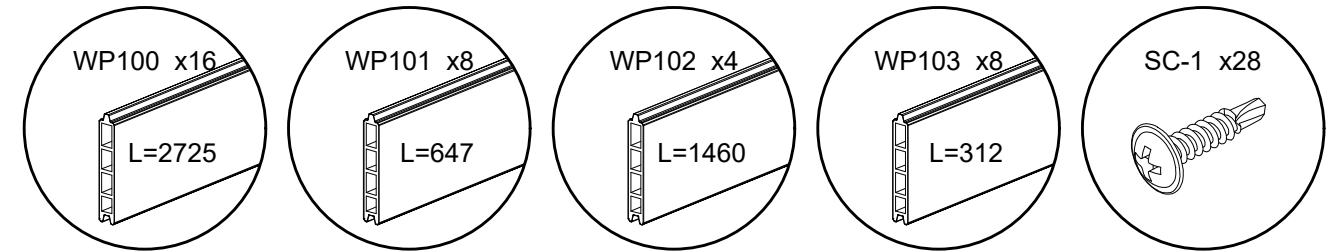
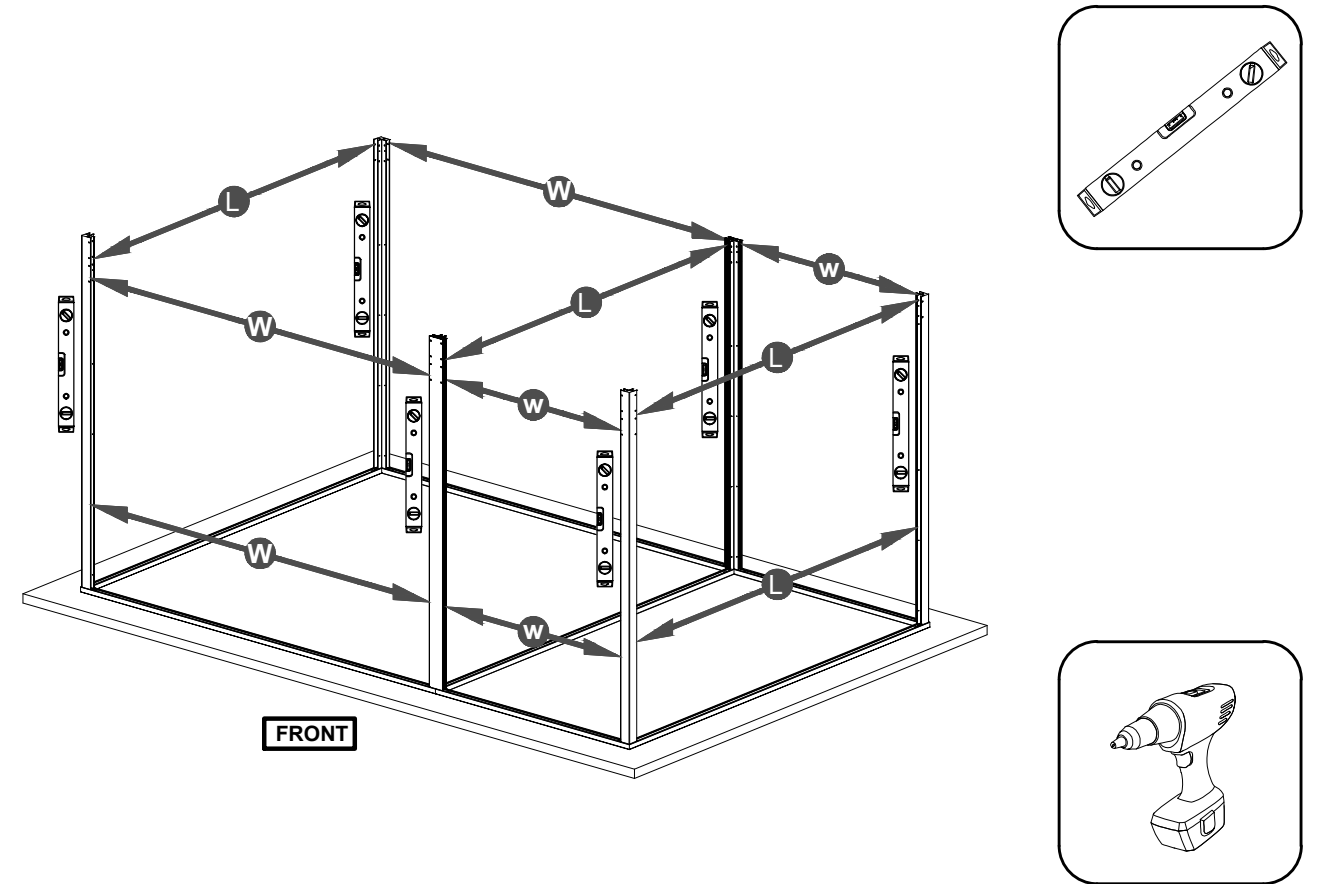
STEP 2 : Expansion screws



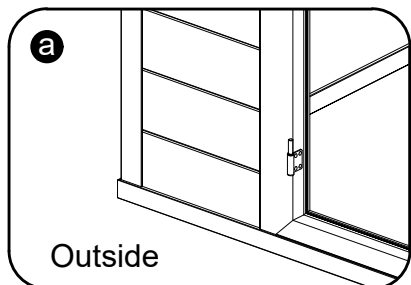
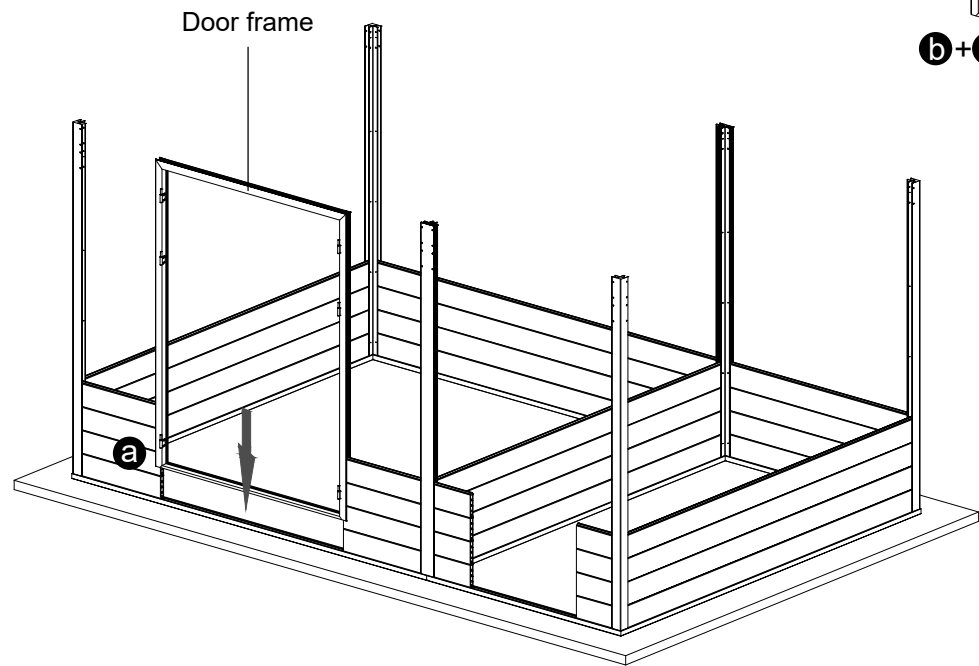
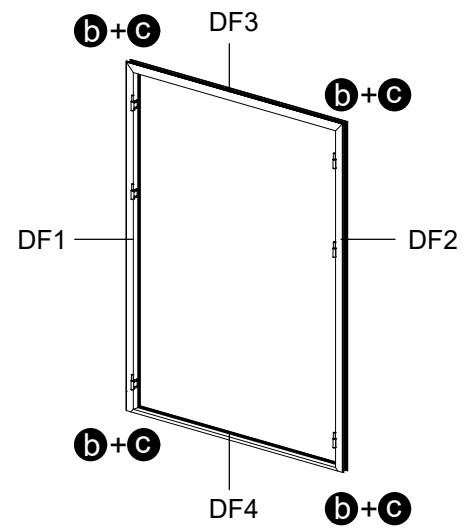
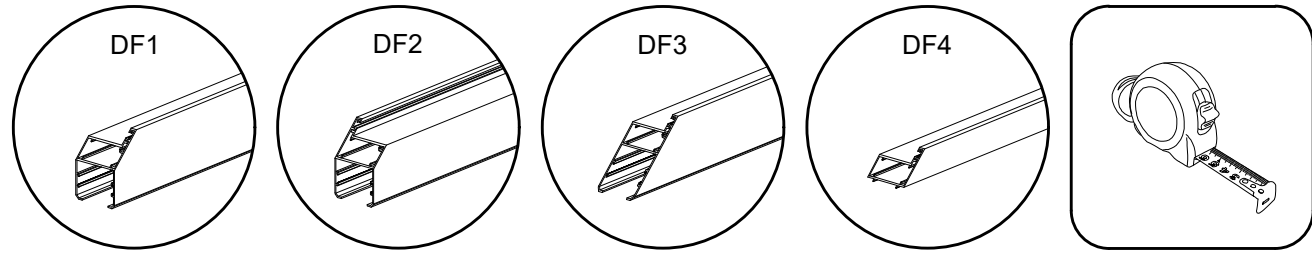
STEP 3 :



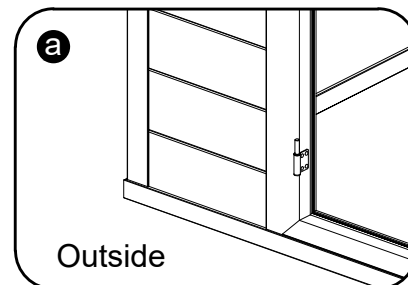
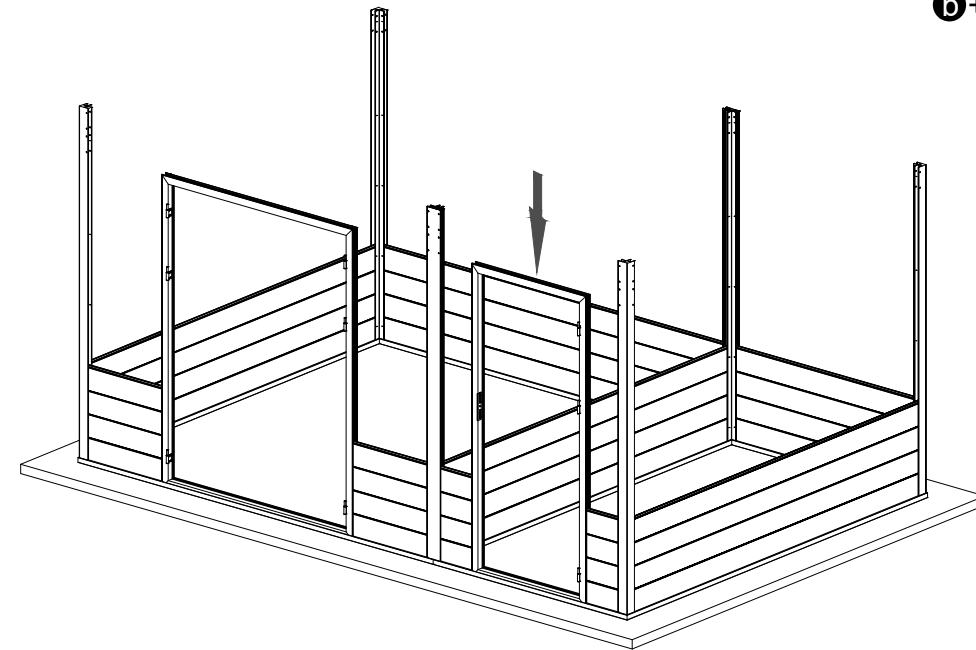
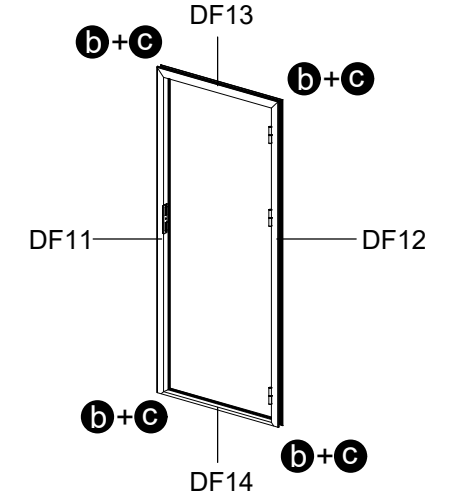
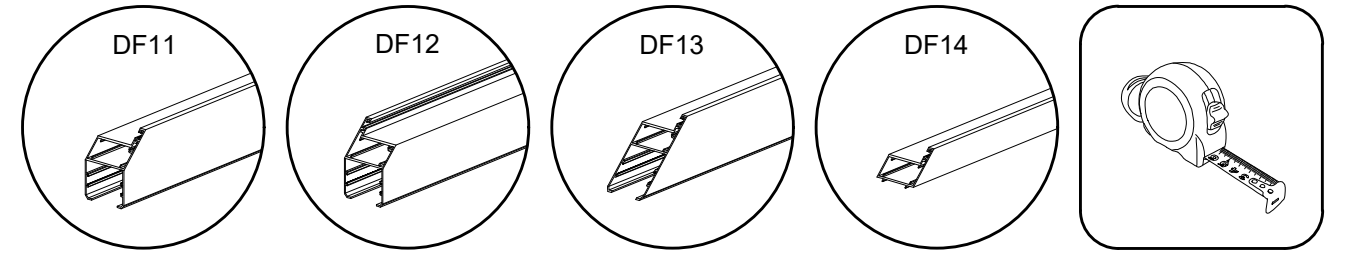
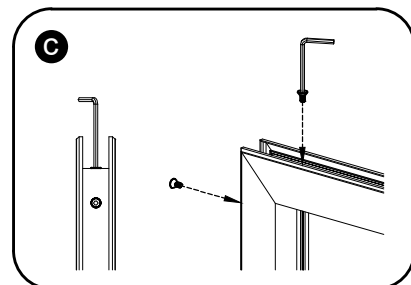
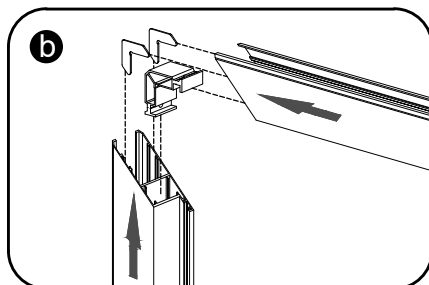
STEP 4 :



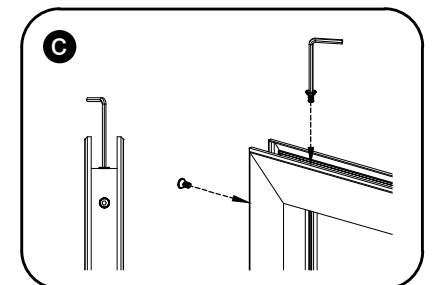
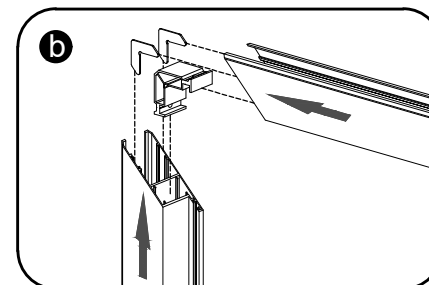
STEP 5 :



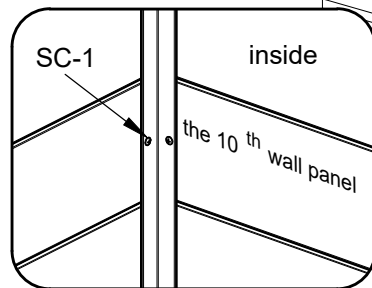
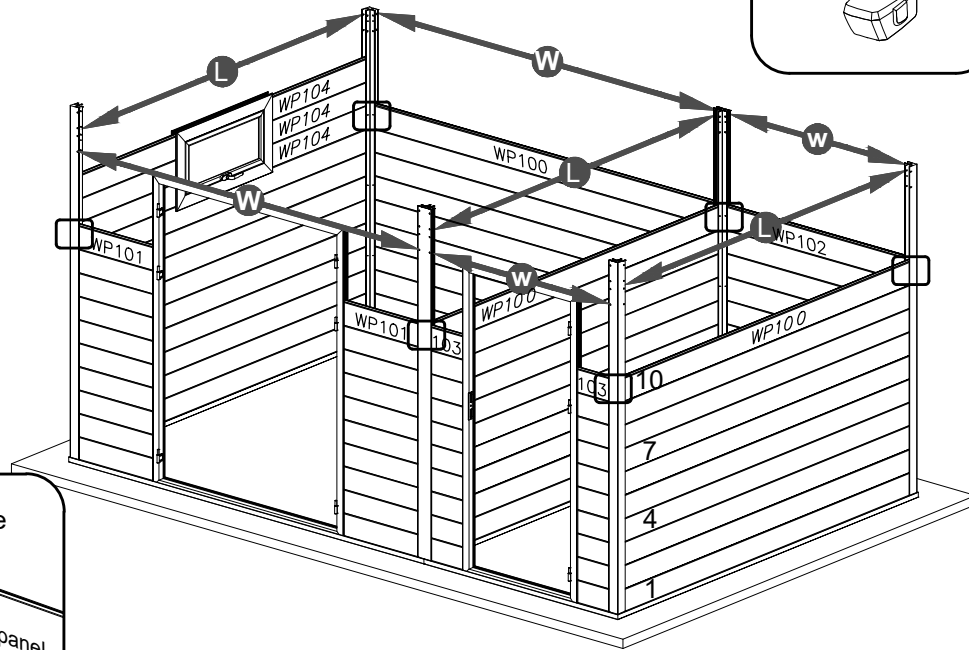
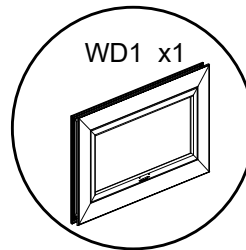
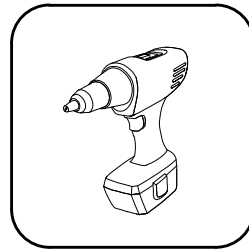
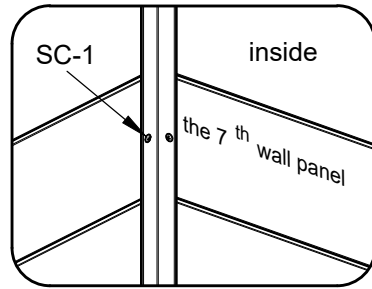
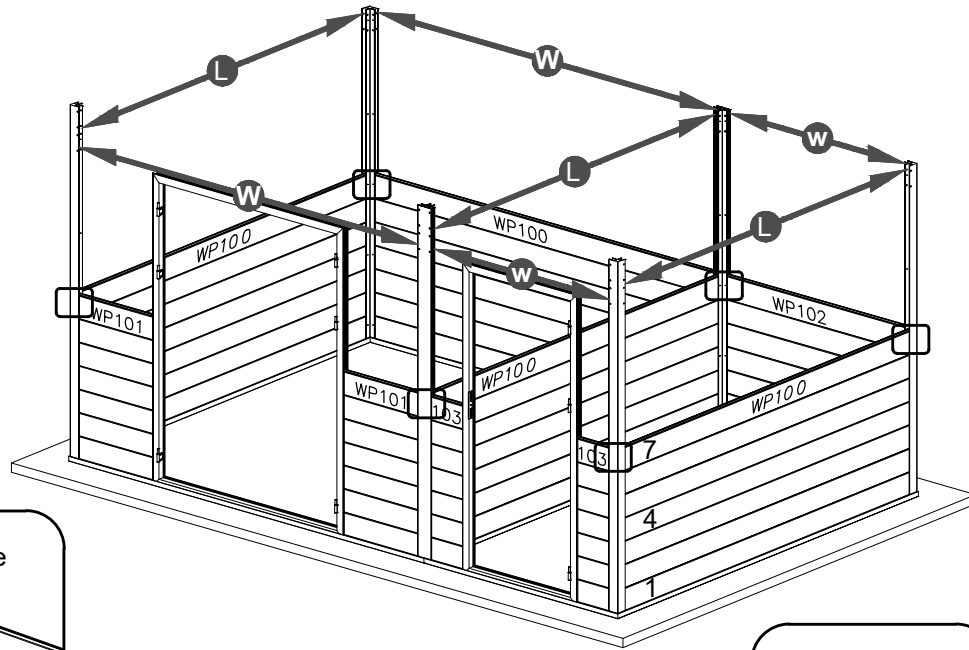
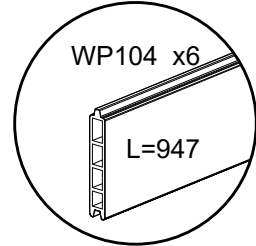
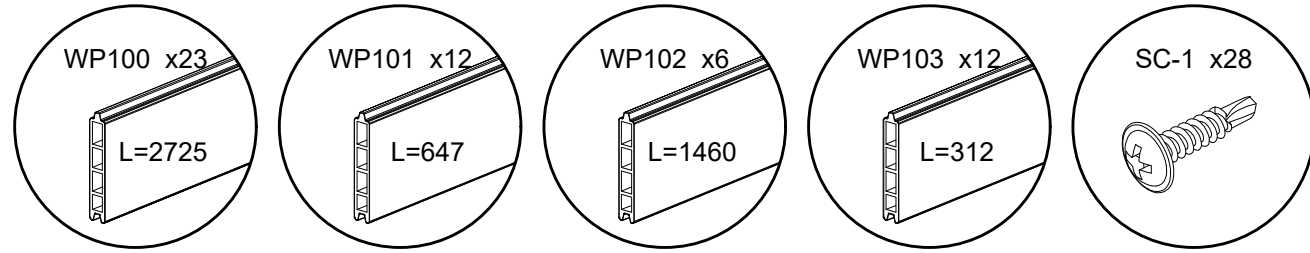
Outside



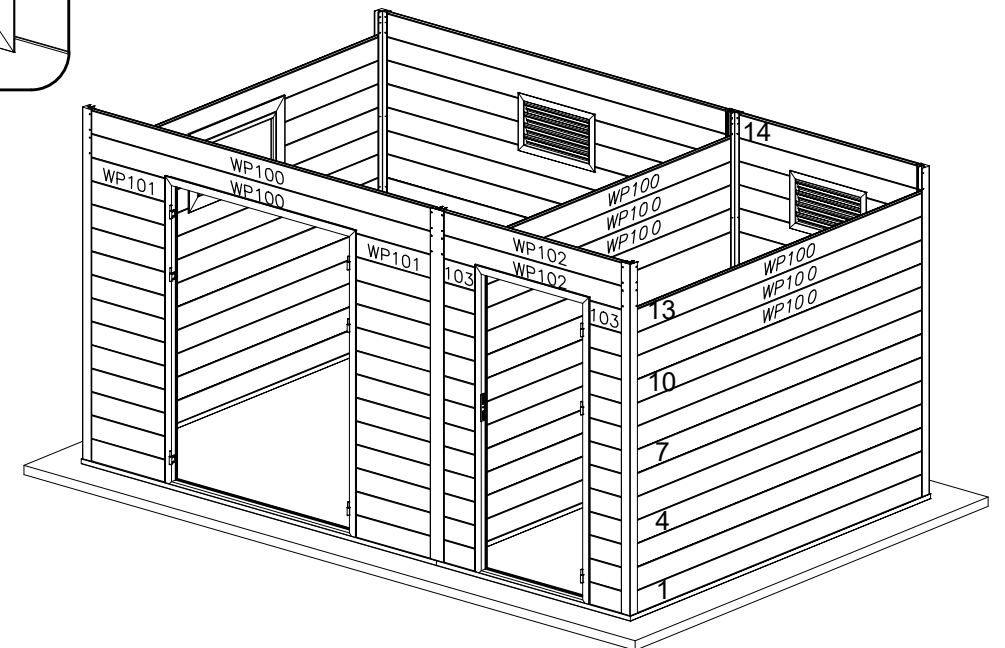
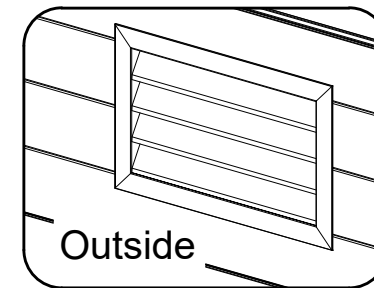
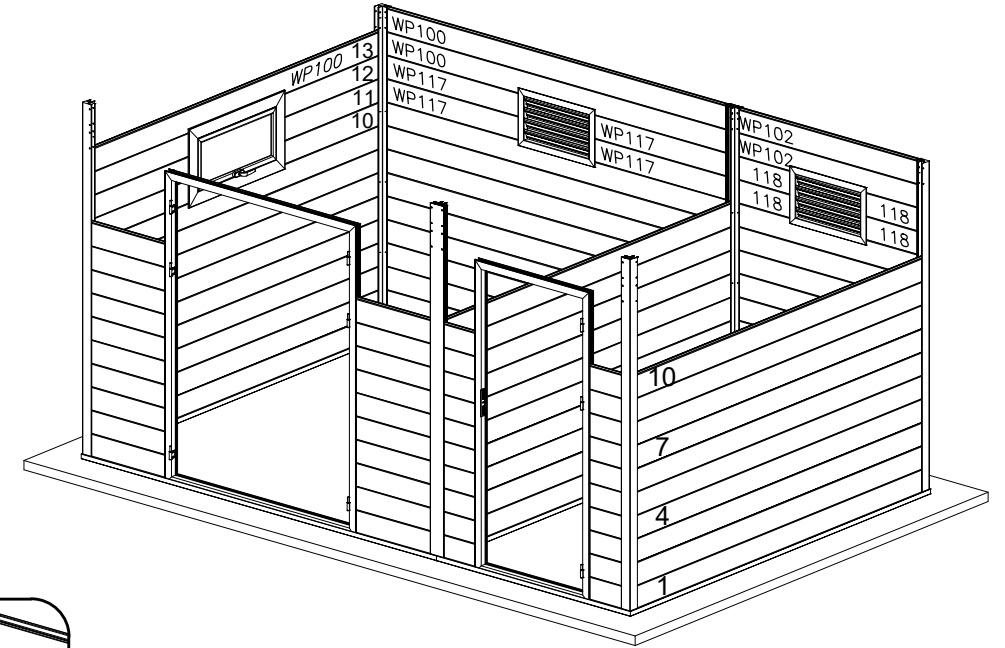
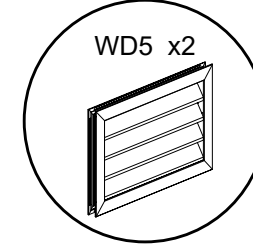
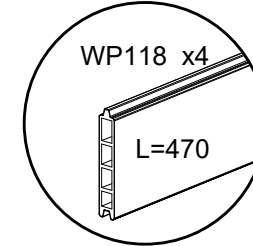
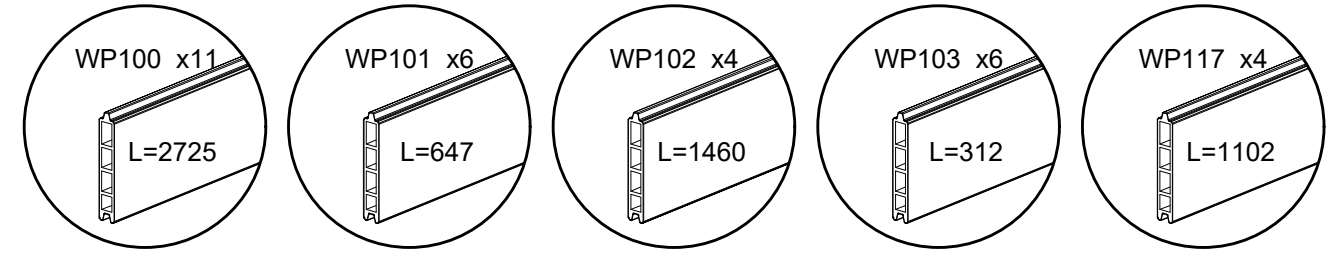
Outside



STEP 6 :

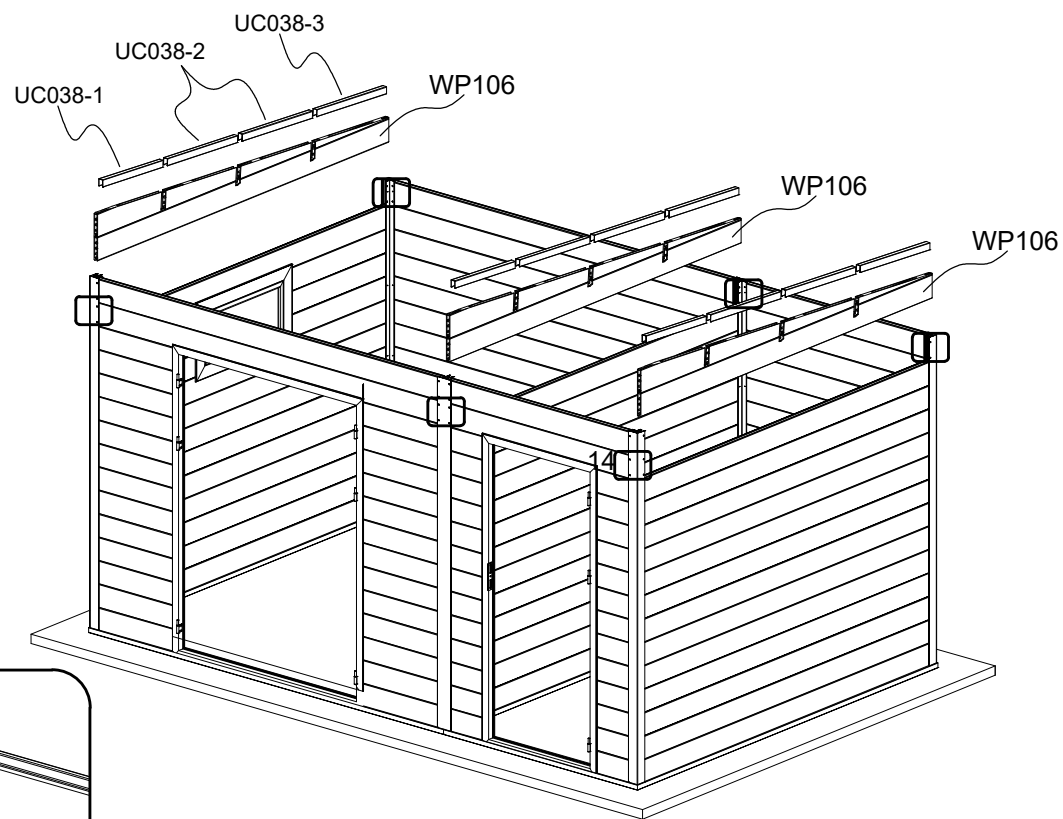
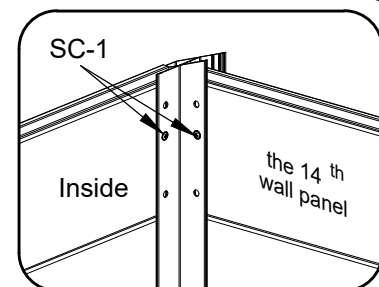
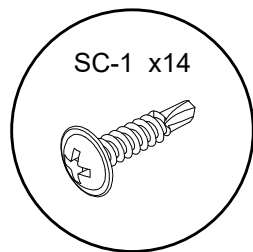
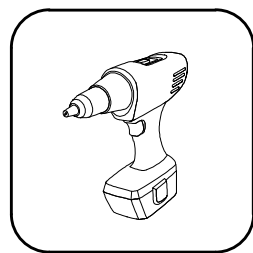
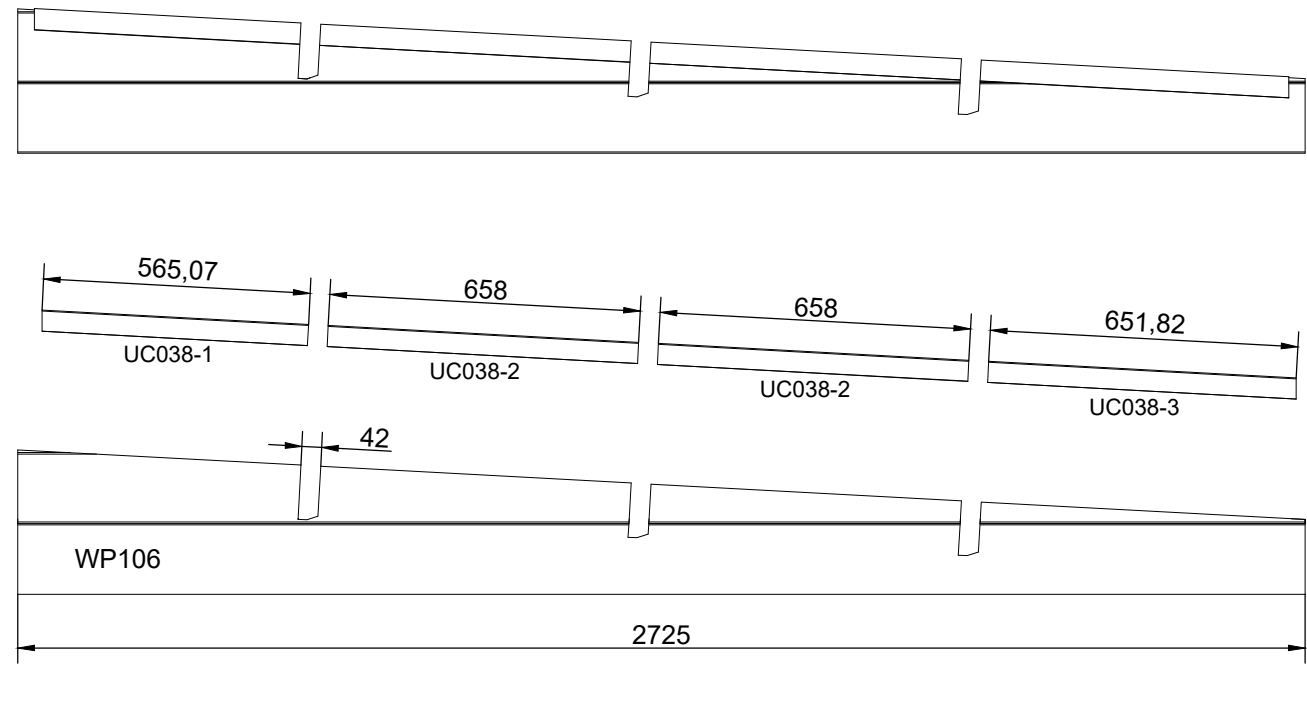


STEP 7 :

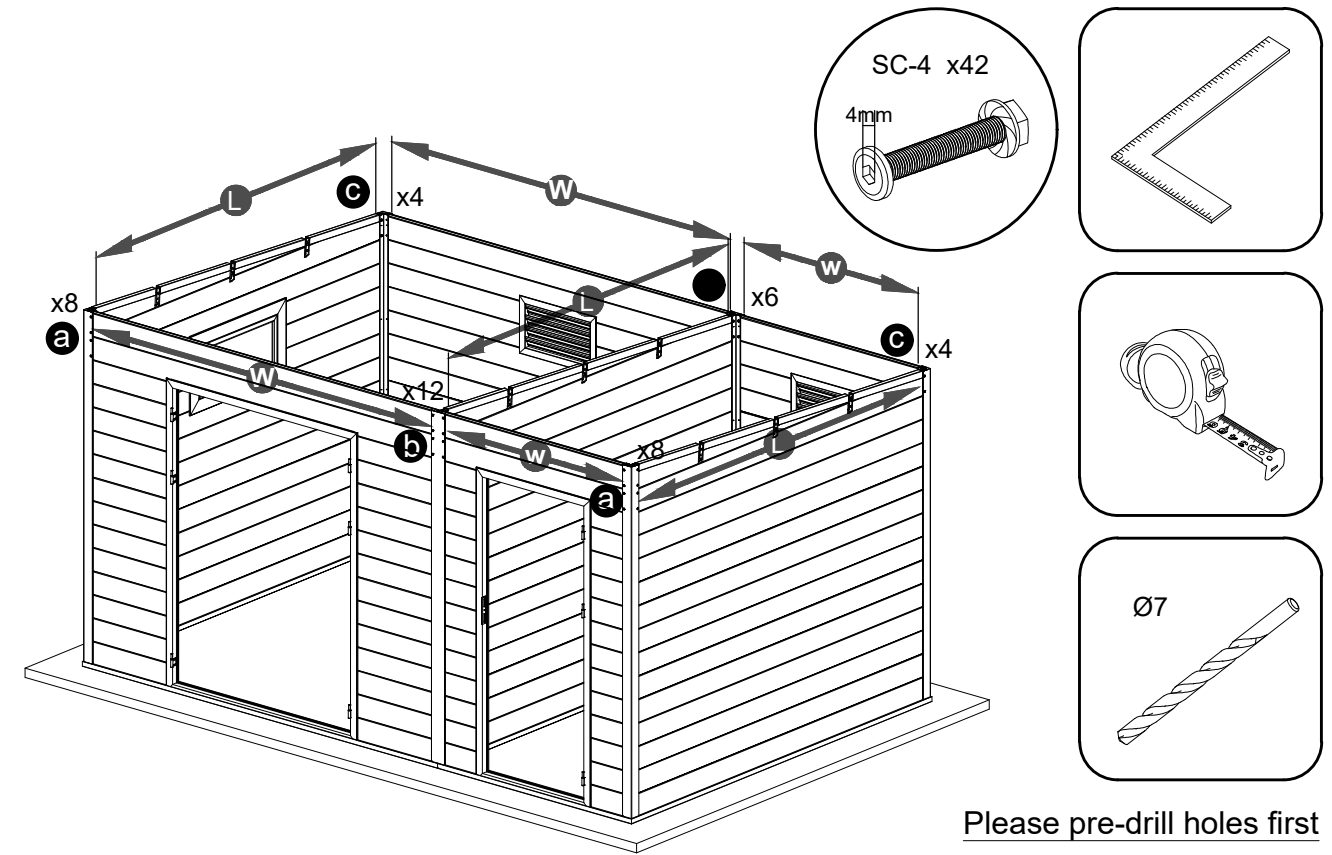


STEP 8 :

WP106 + UC038 x3

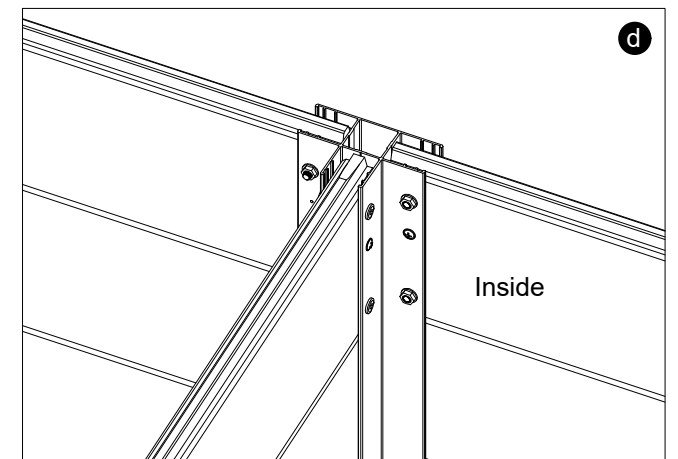
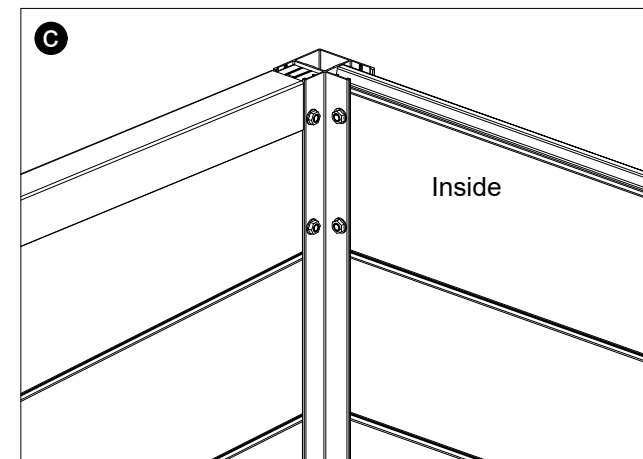
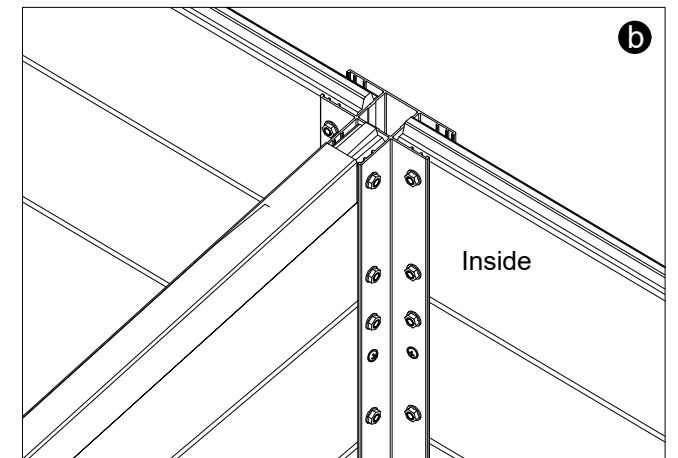
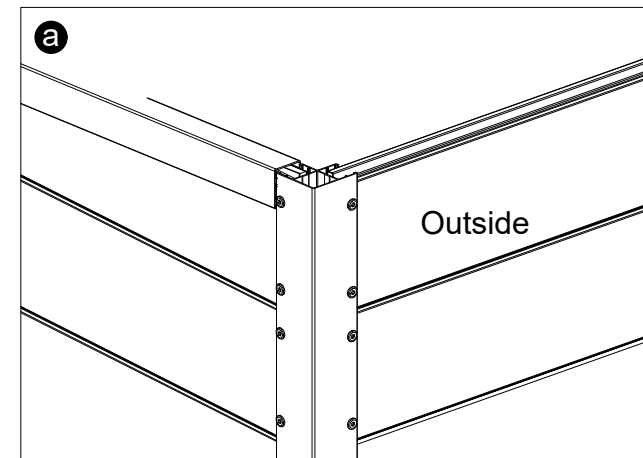


STEP 9 :

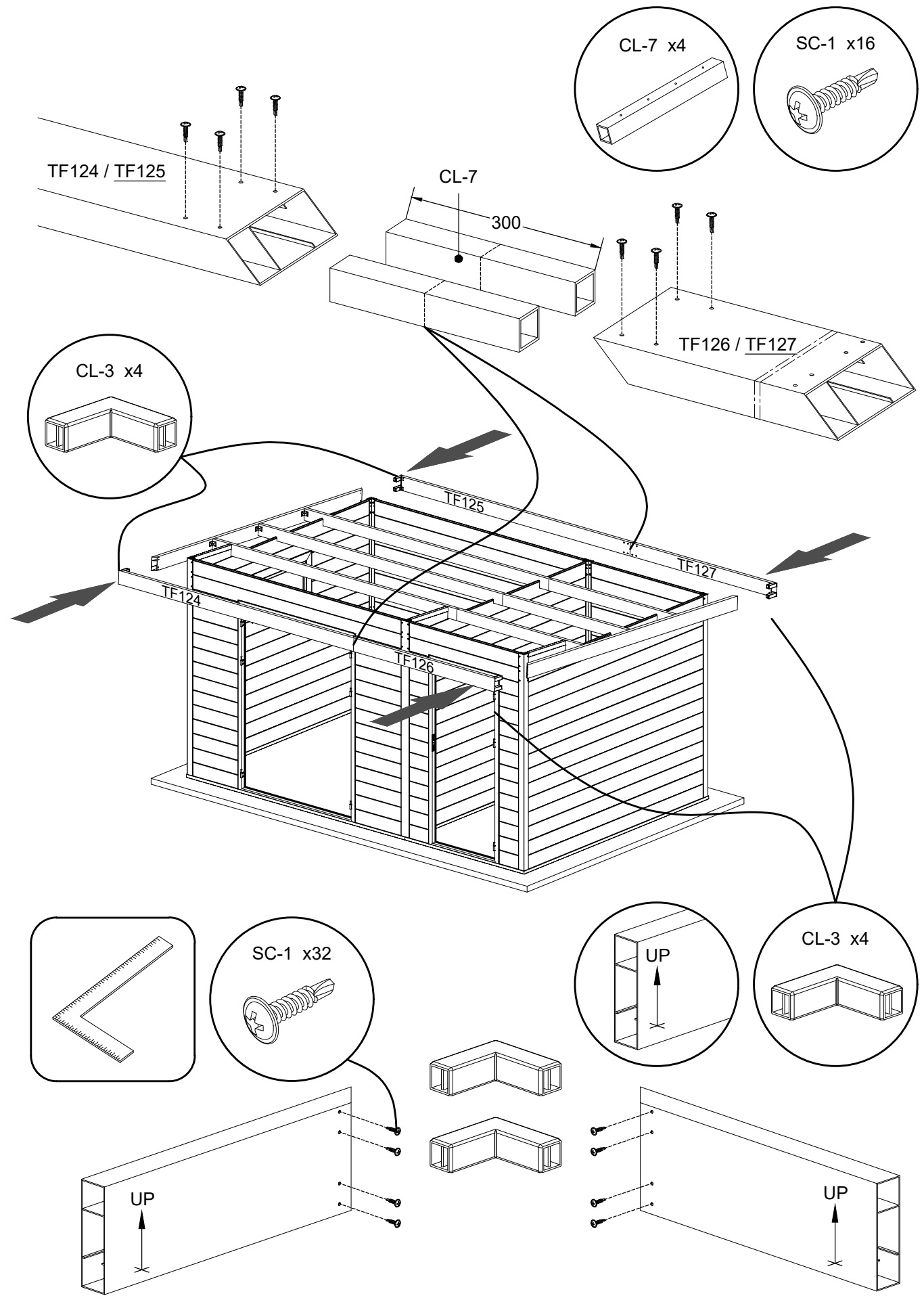


Please pre-drill holes first

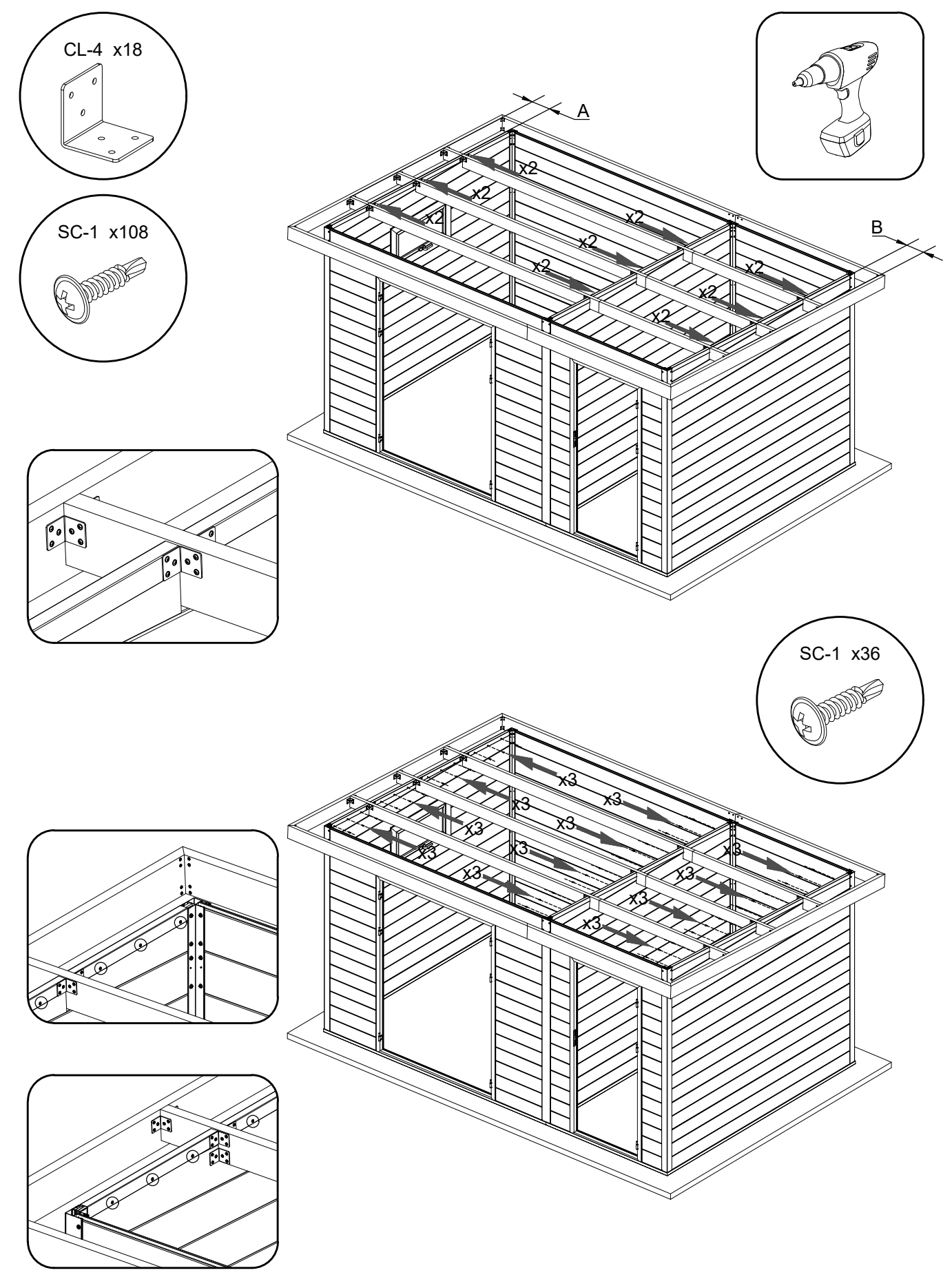
Detail:



STEP 12 :

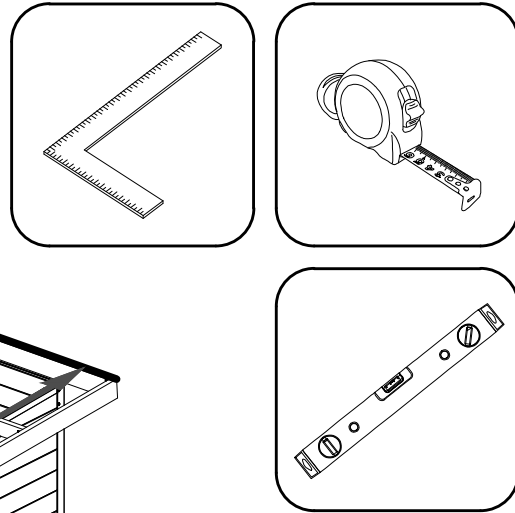
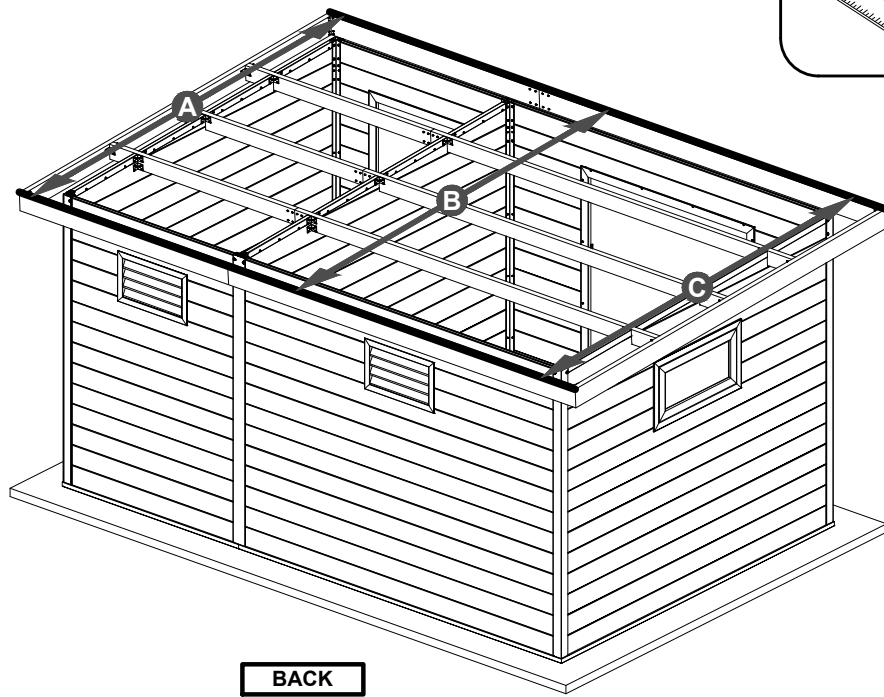


STEP 13 : Connecting Together

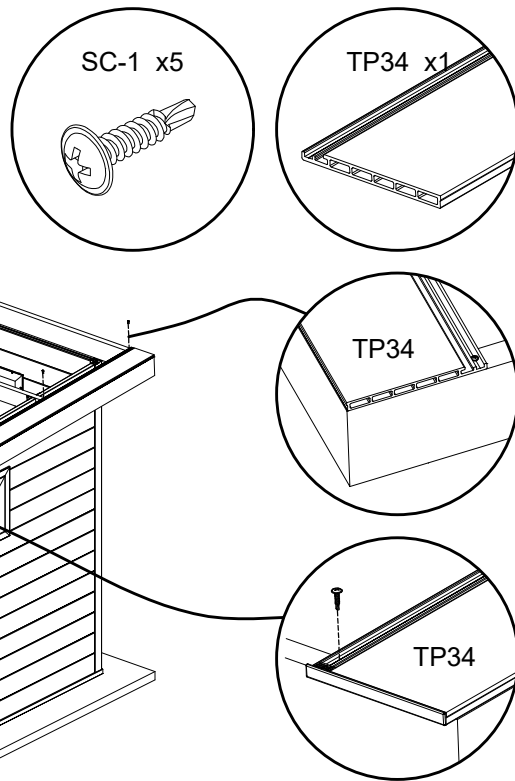
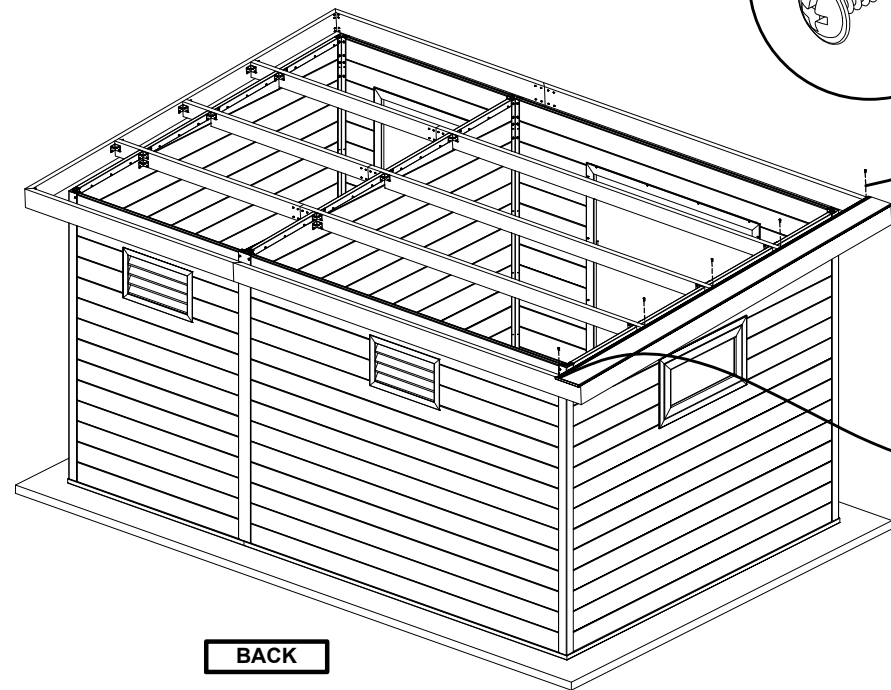


STEP 14 :

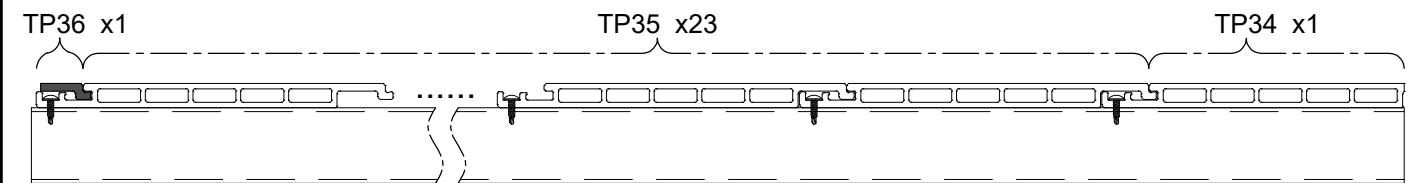
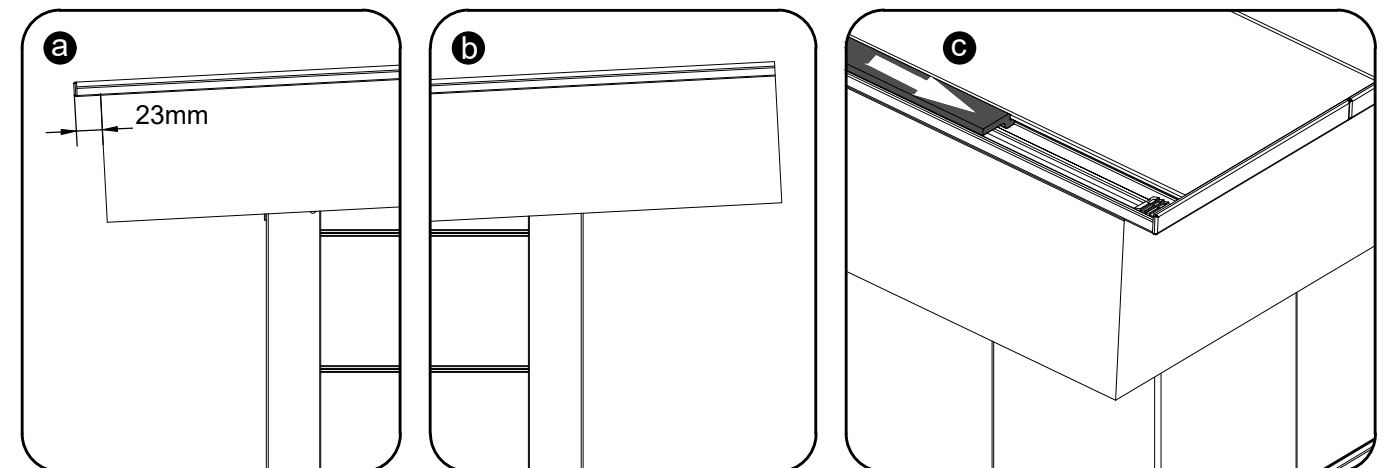
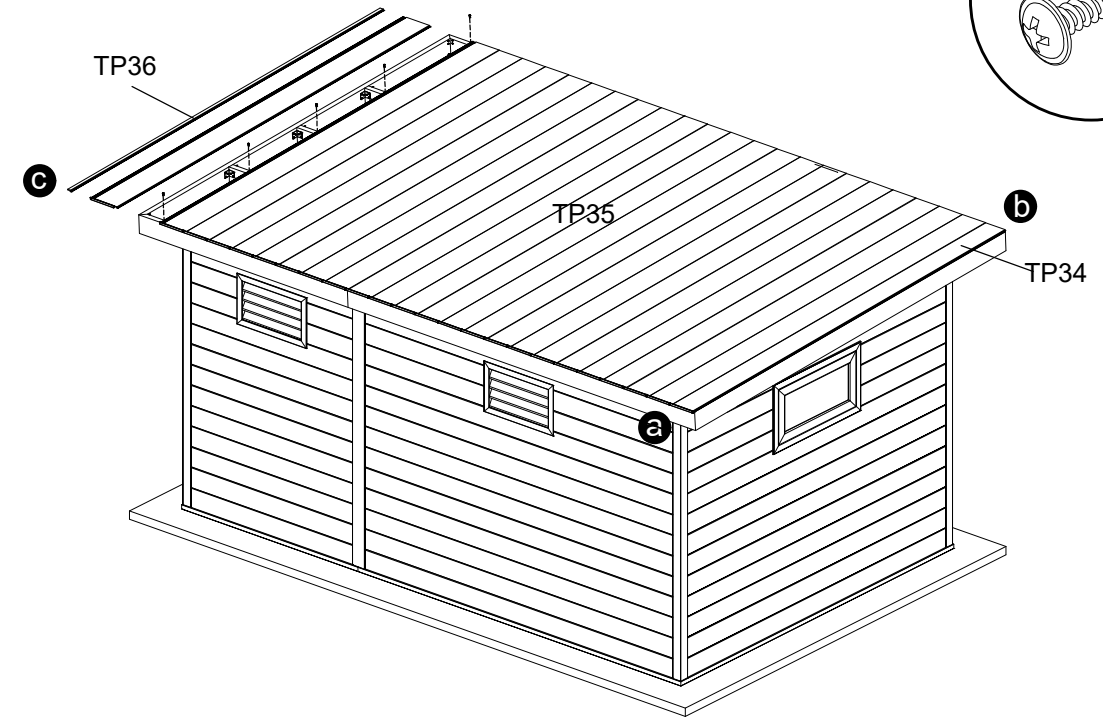
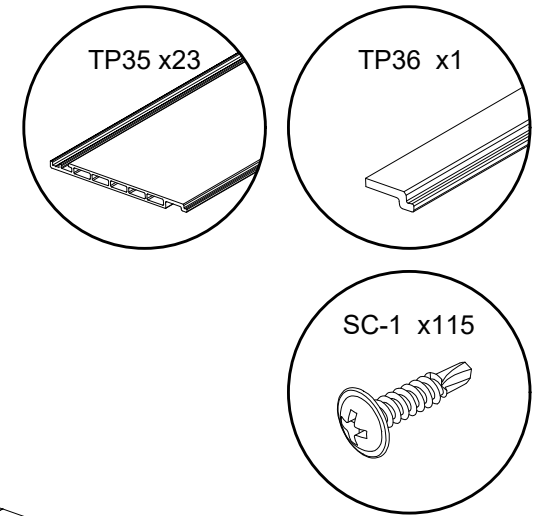
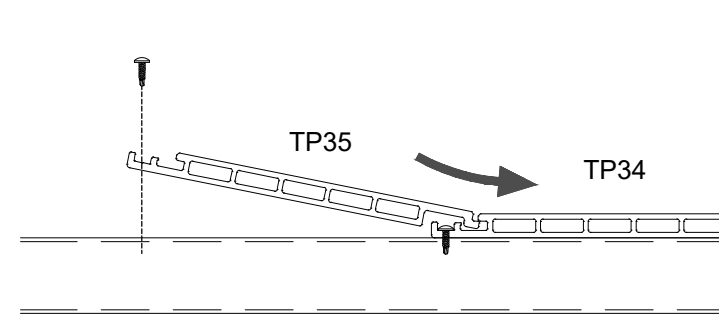
A = B = C



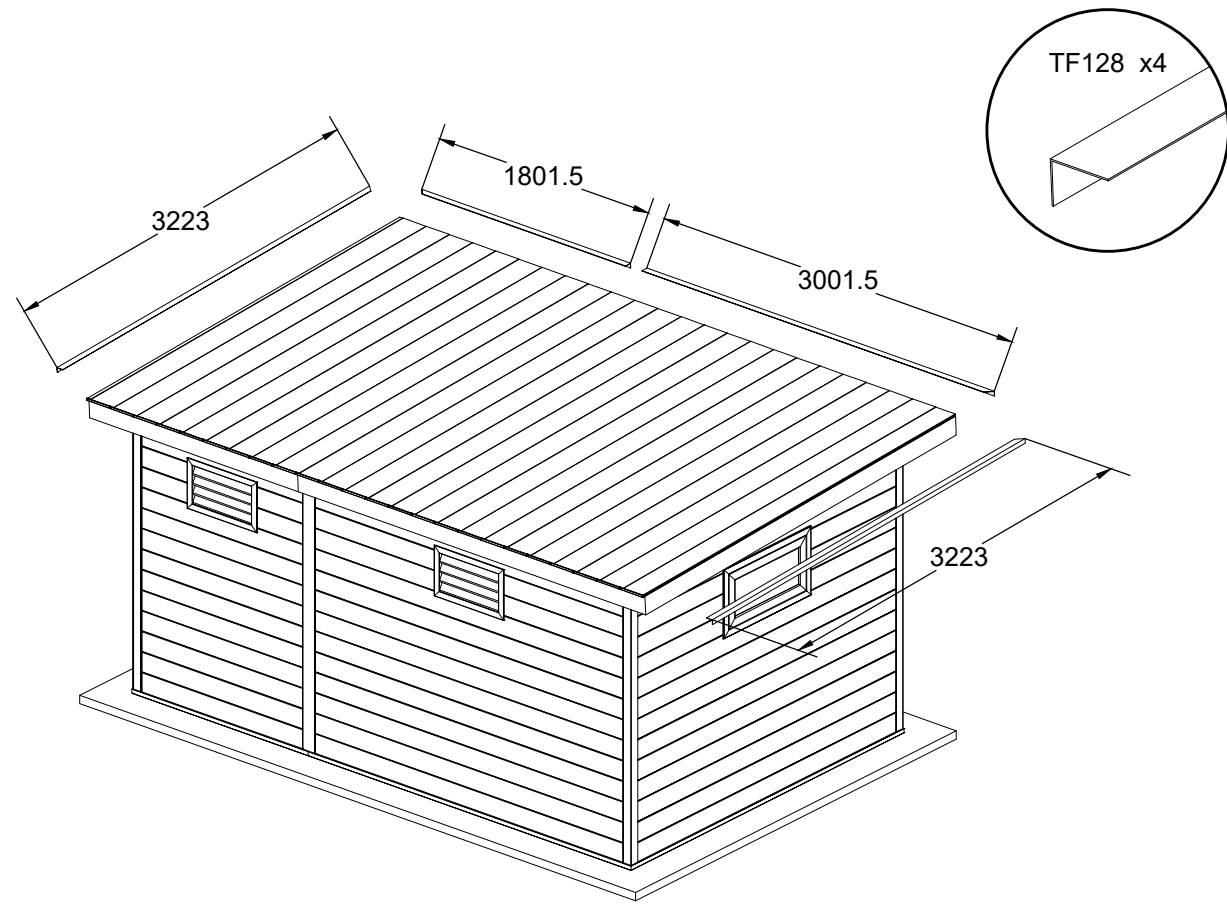
STEP 15 : The installation of top roof panel.



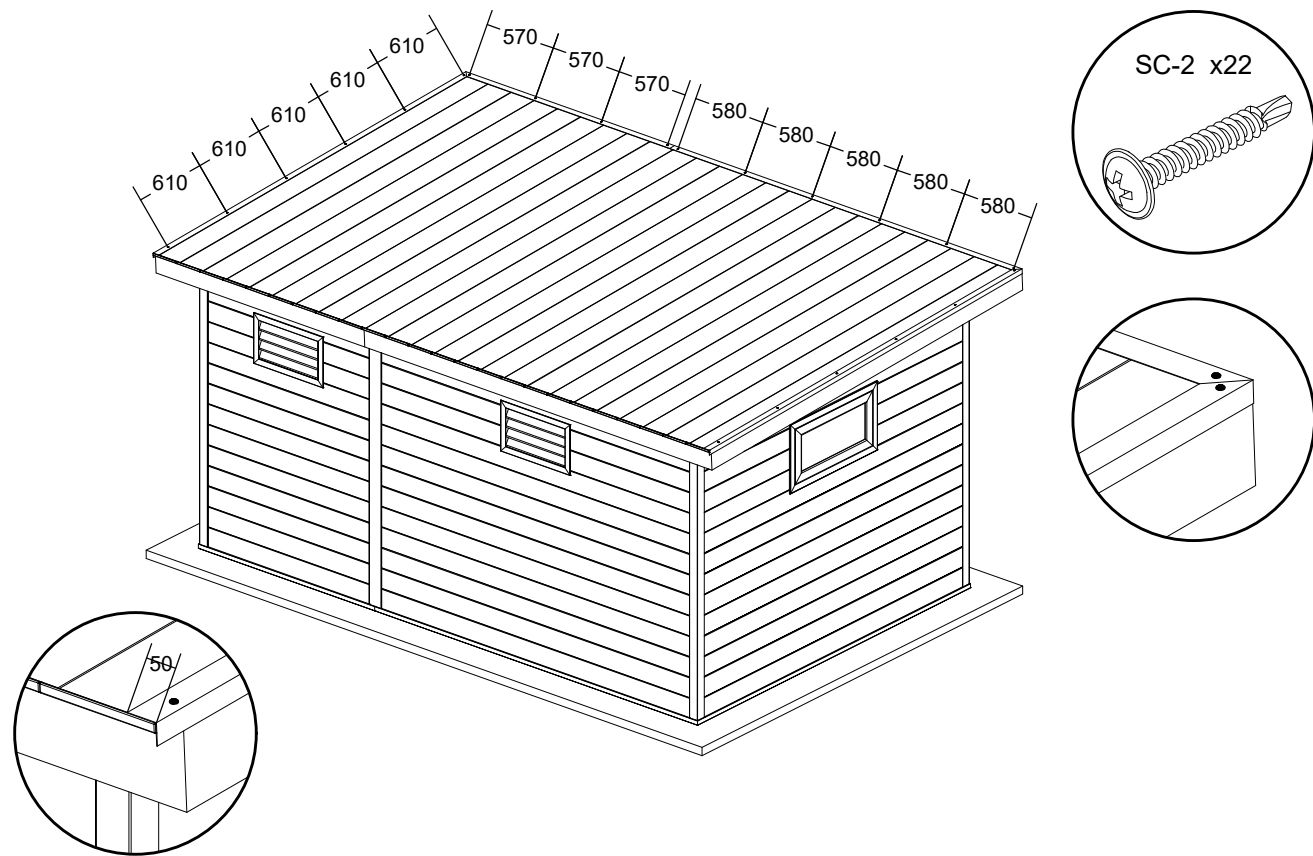
STEP 16 :



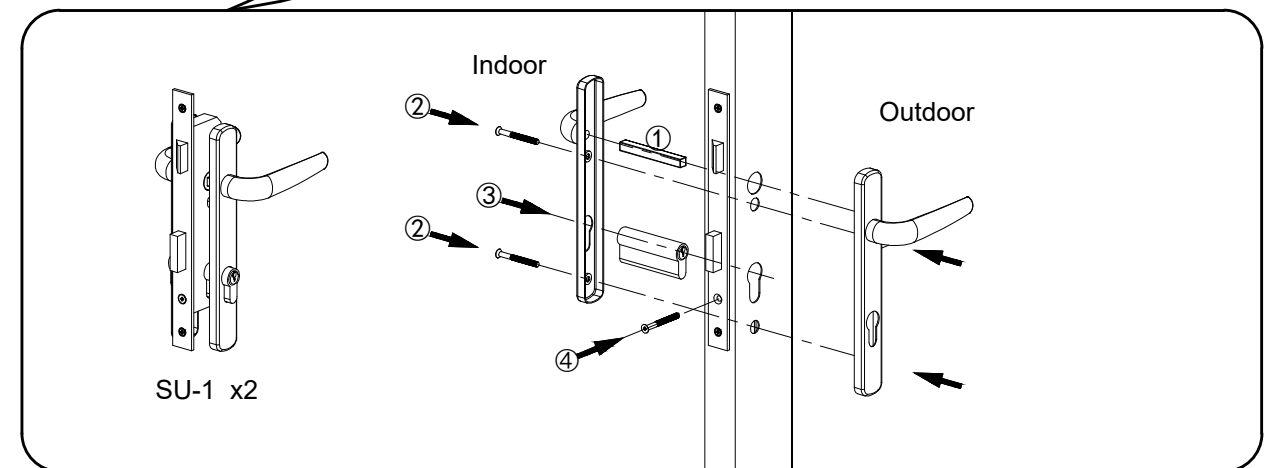
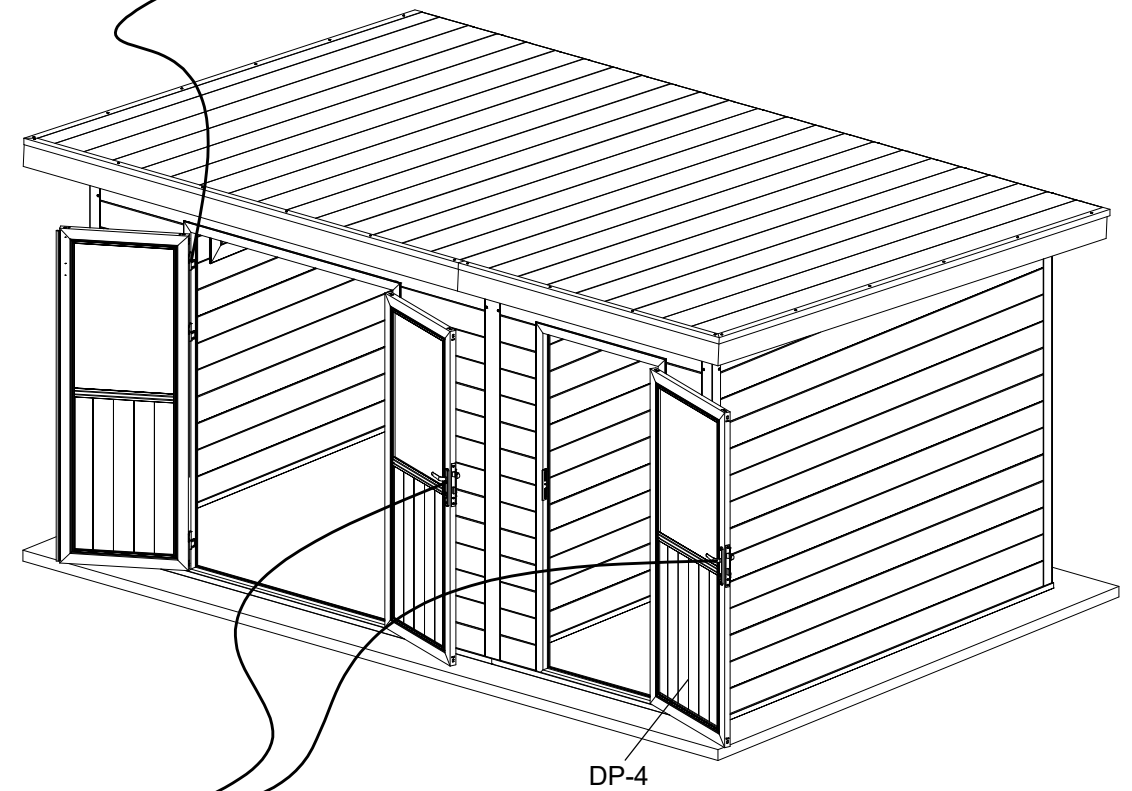
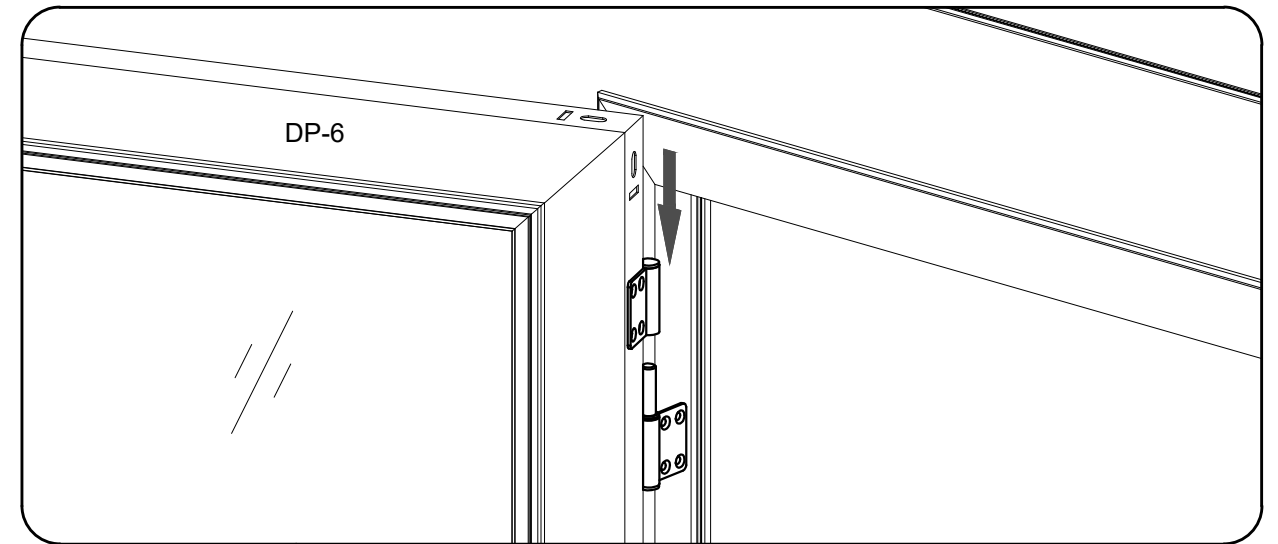
STEP 17:



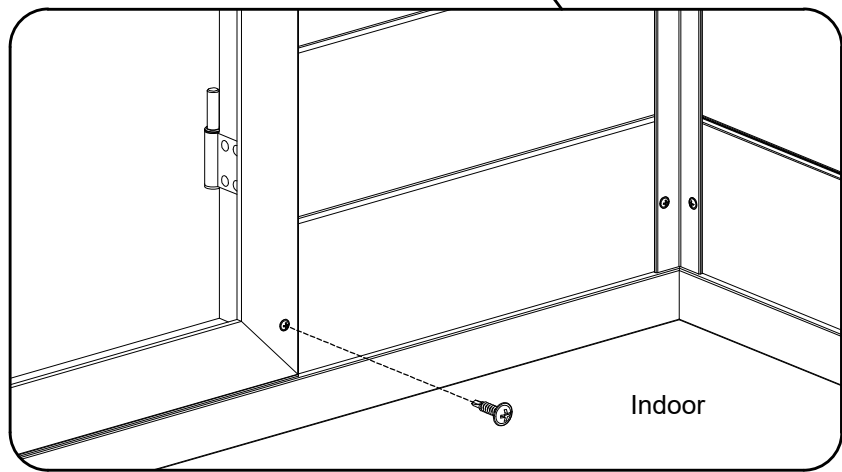
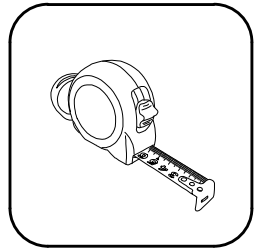
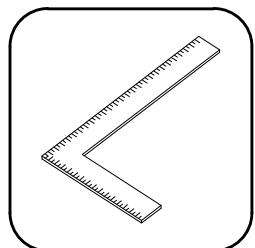
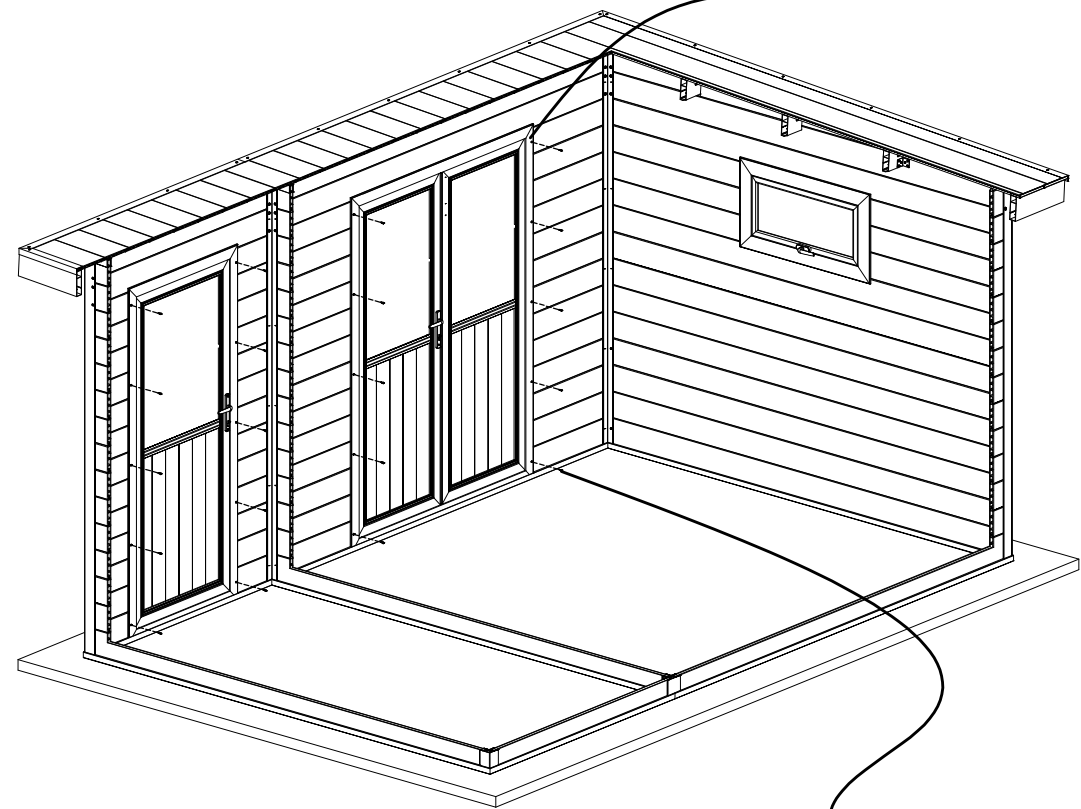
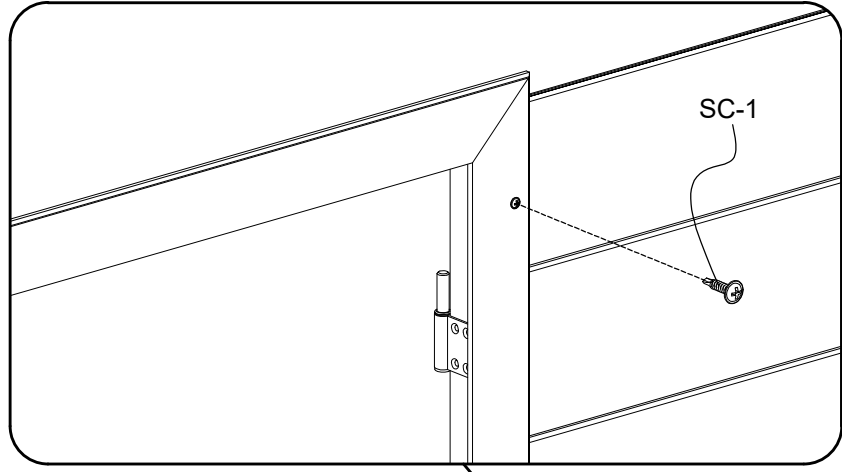
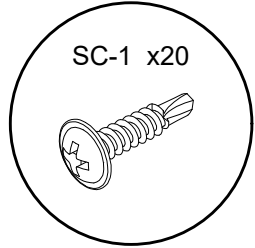
STEP 18 :



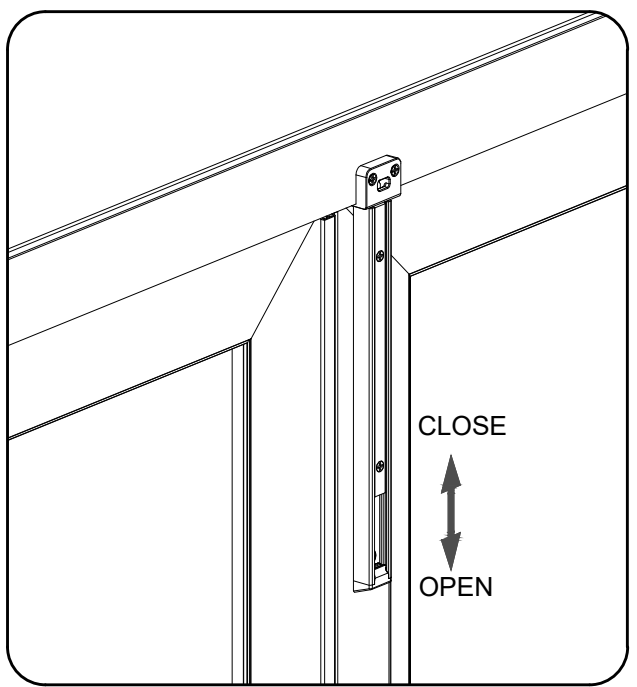
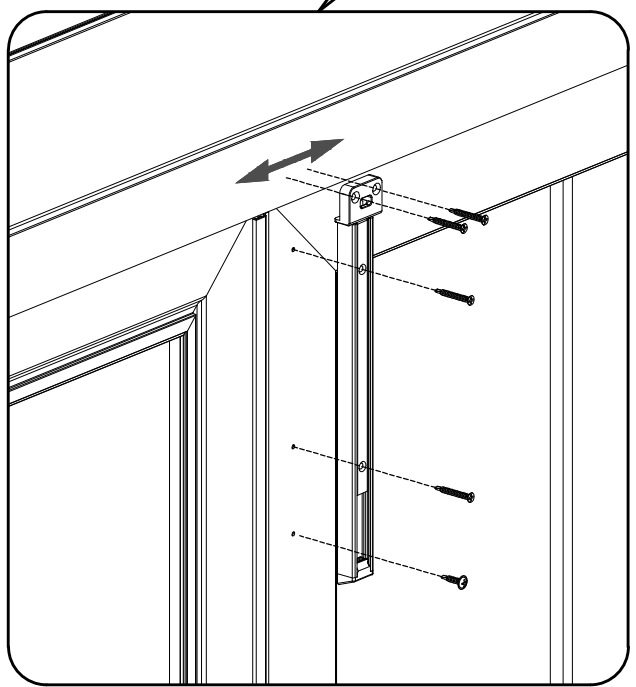
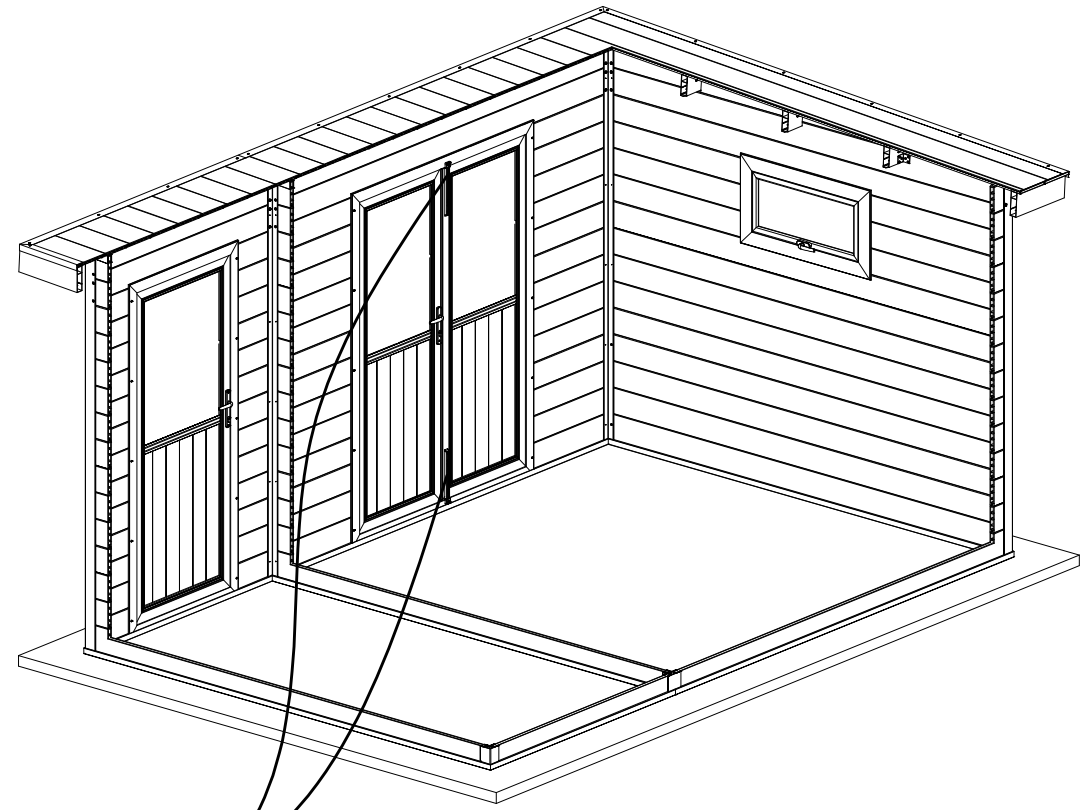
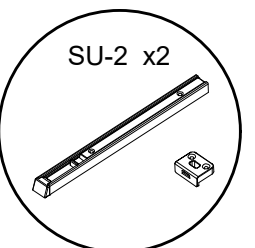
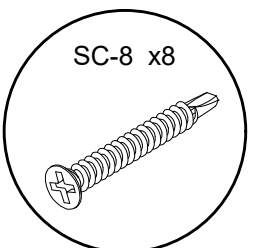
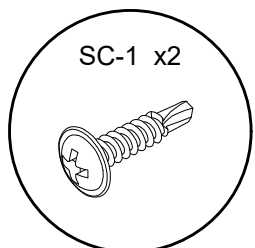
STEP 19: DOOR and LOCK



STEP 20 : Connecting Together



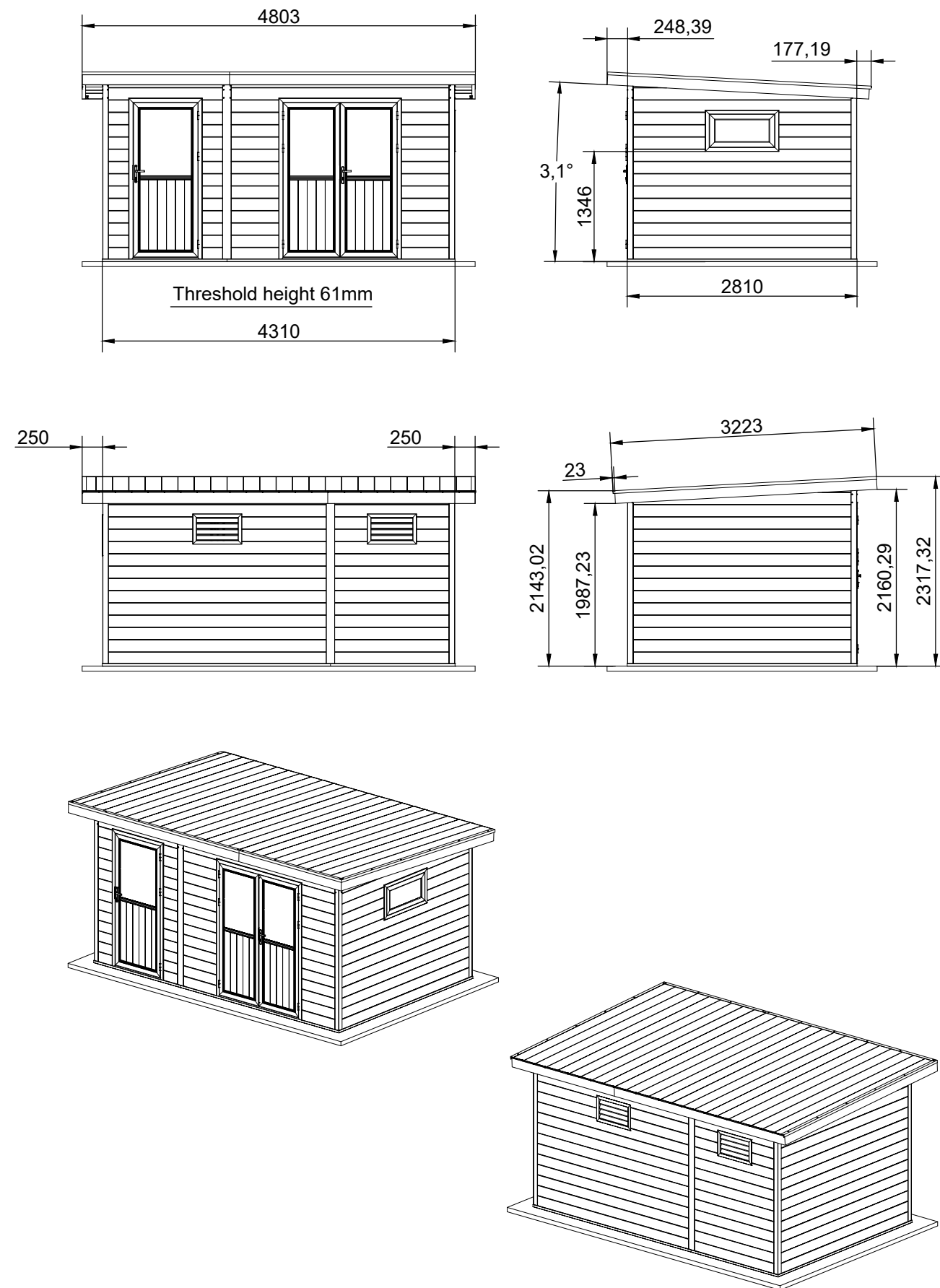
STEP 21 :



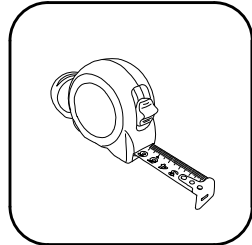
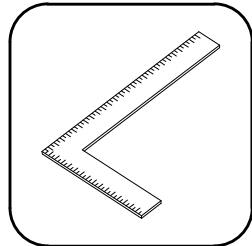
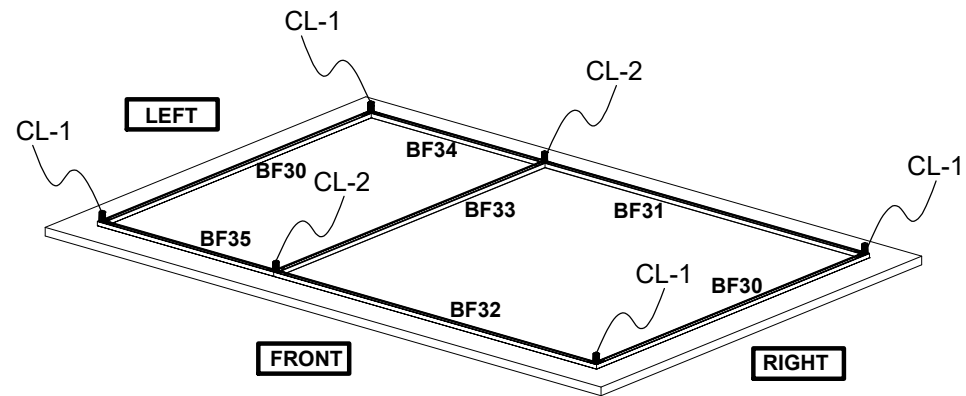
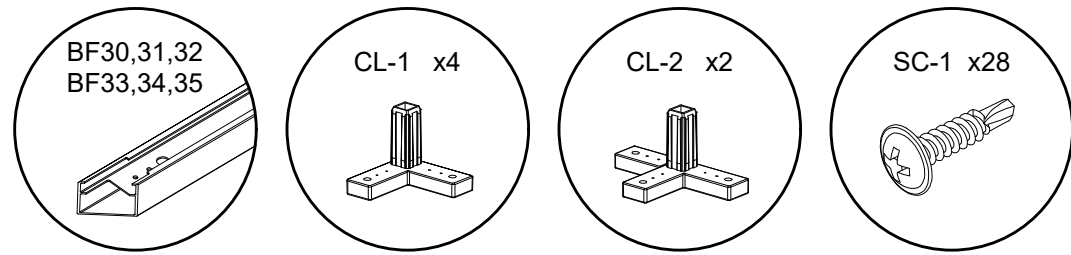
**Variation 2:
Install of the smaller room on the left side**



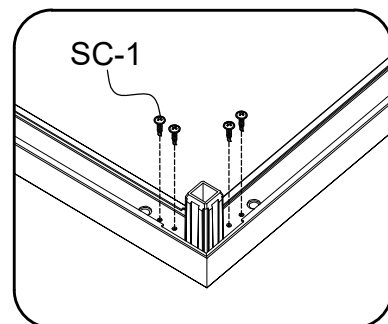
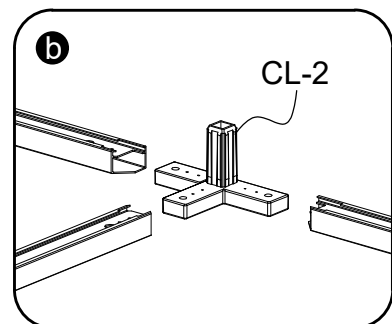
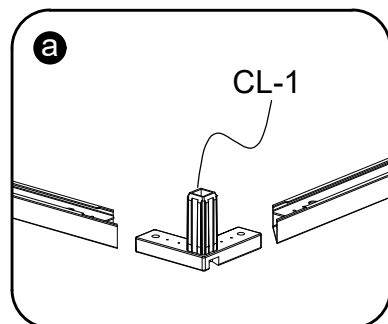
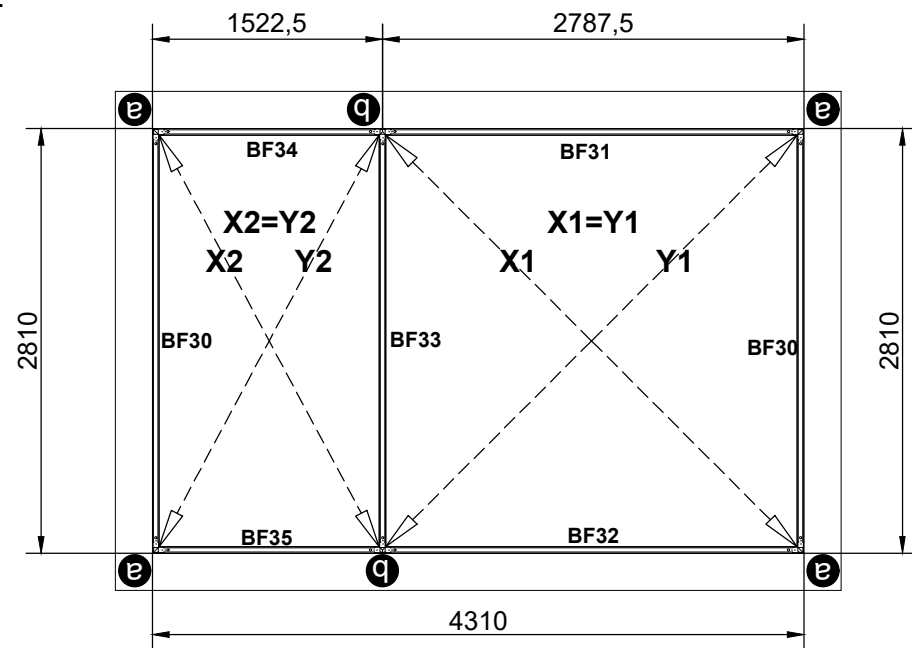
APPEARANCE & SIZE :



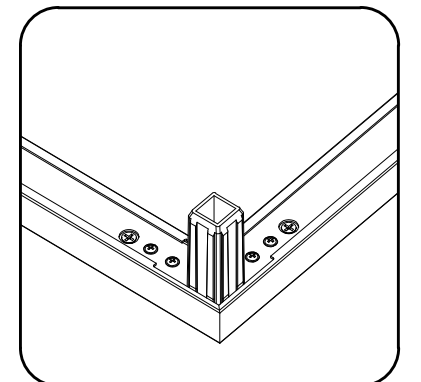
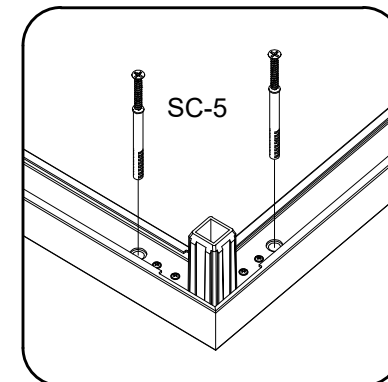
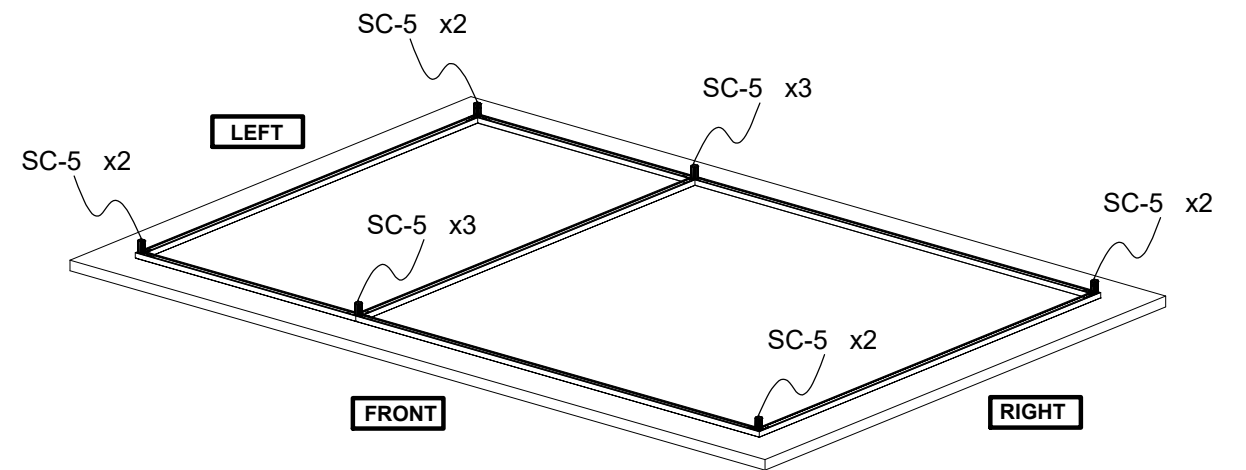
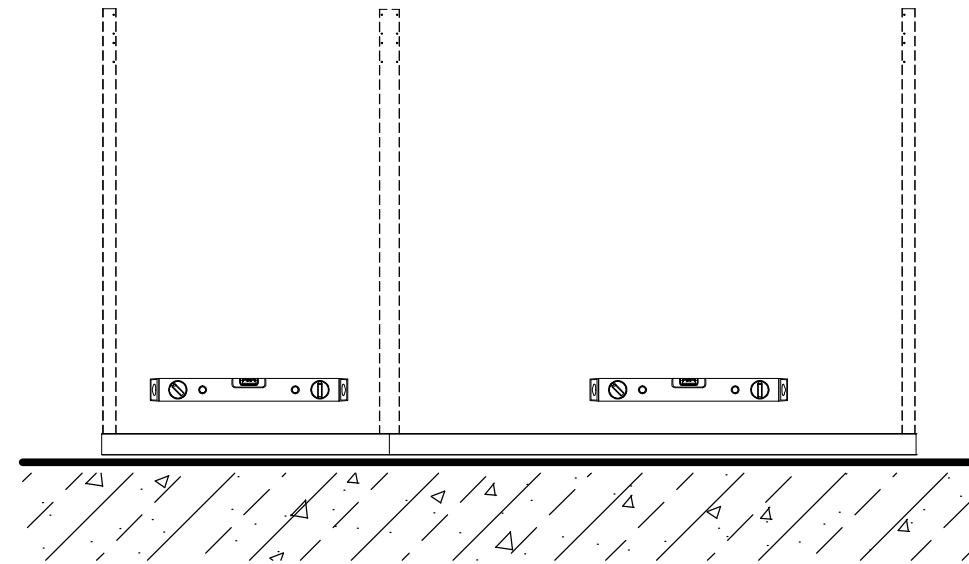
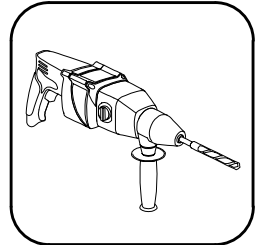
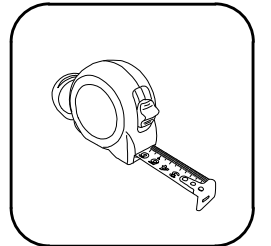
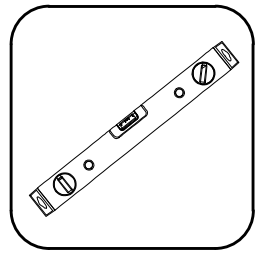
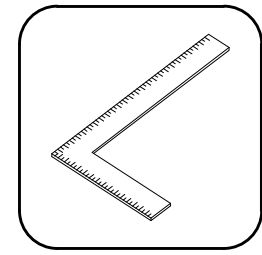
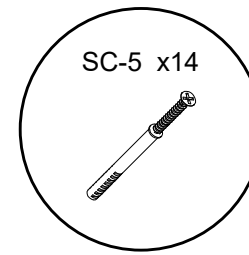
STEP 1 :



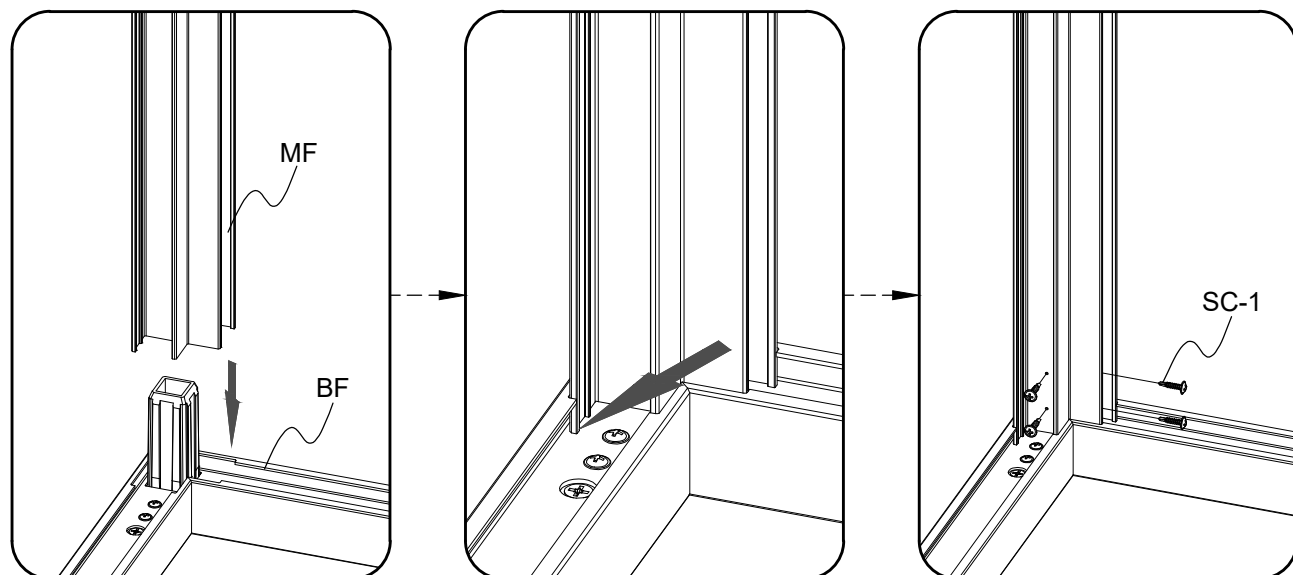
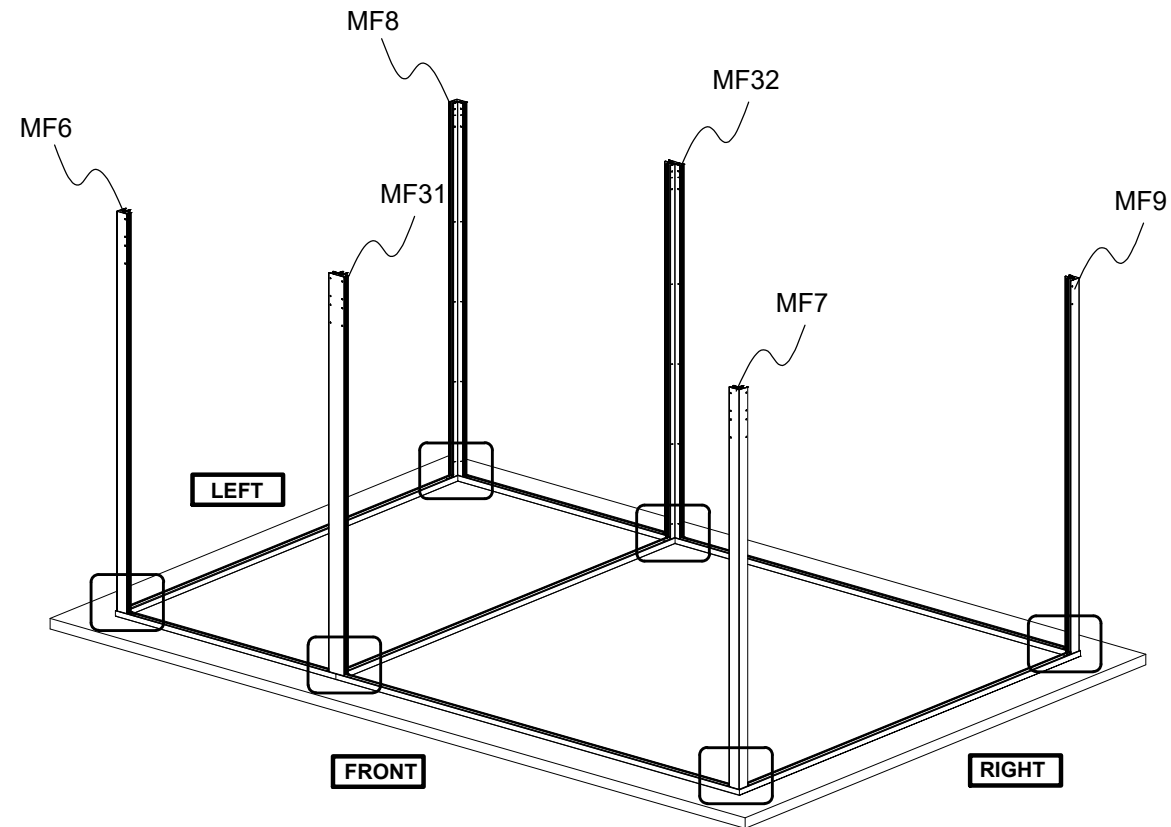
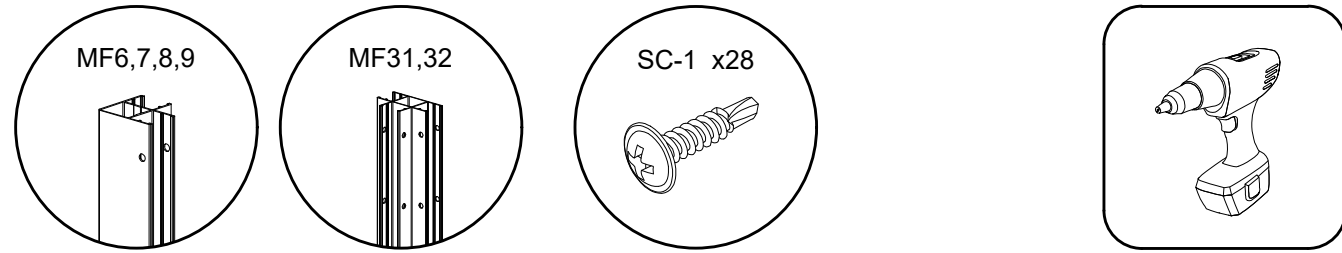
Dimension:



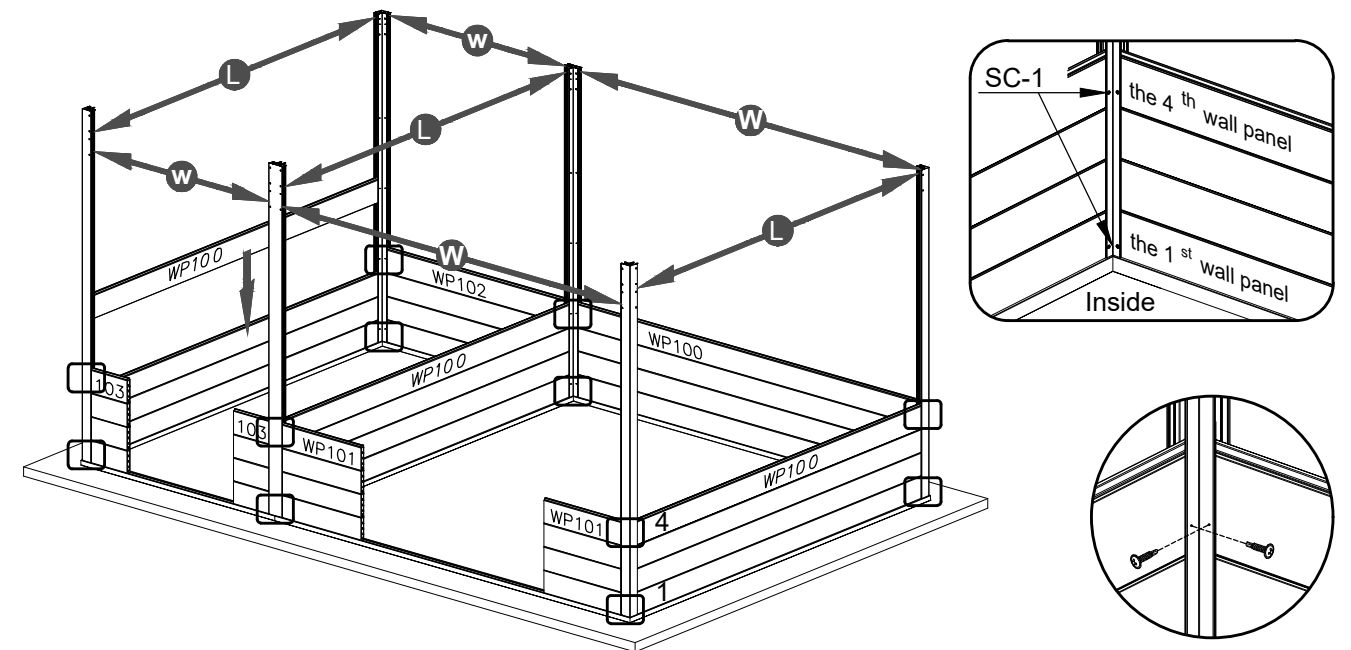
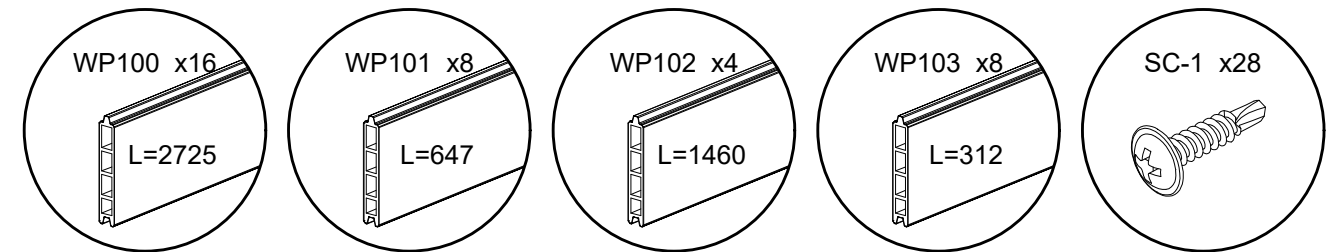
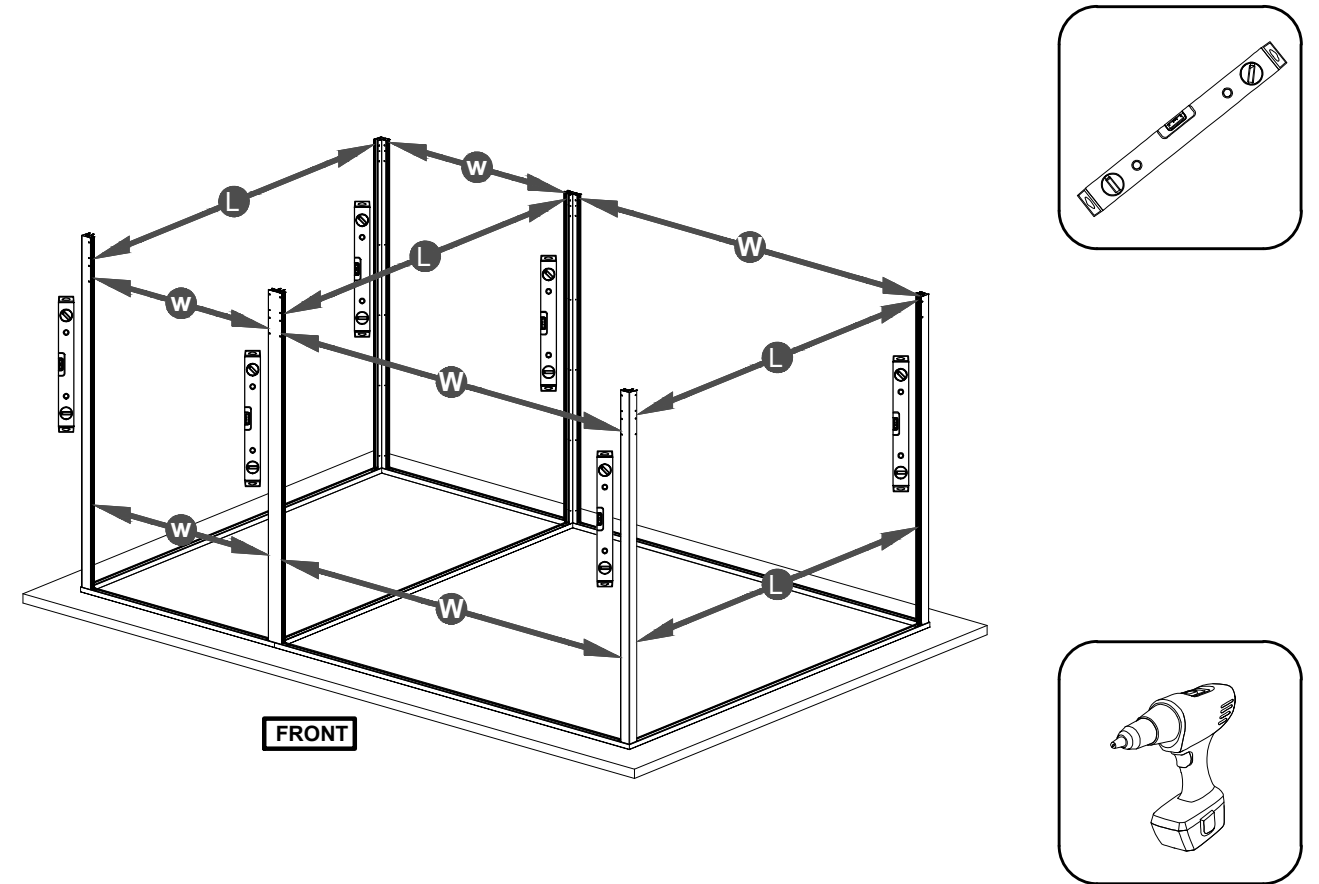
STEP 2 : Expansion screws



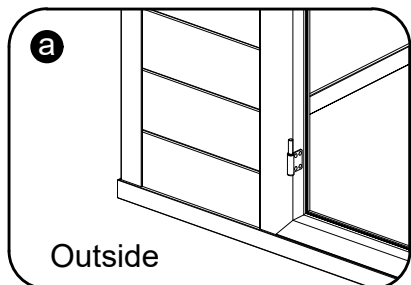
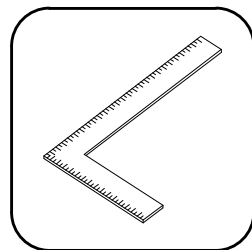
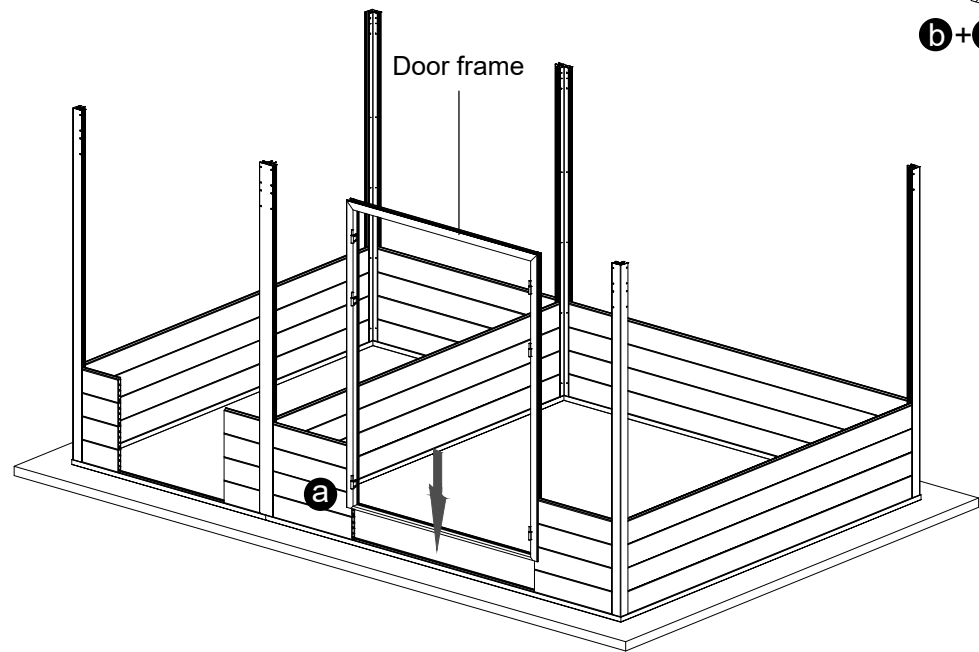
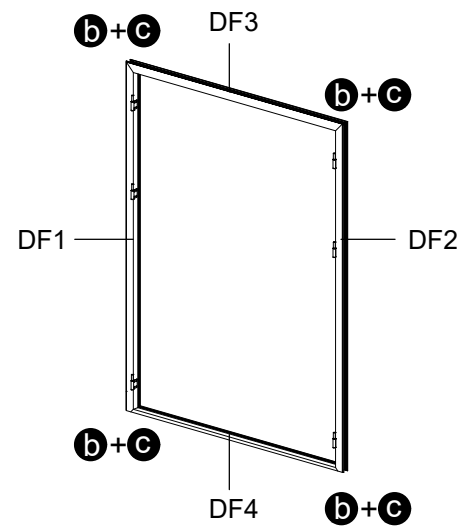
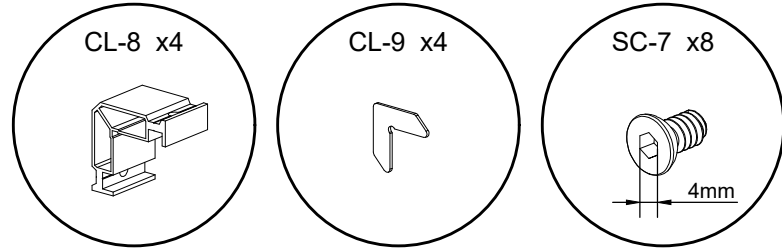
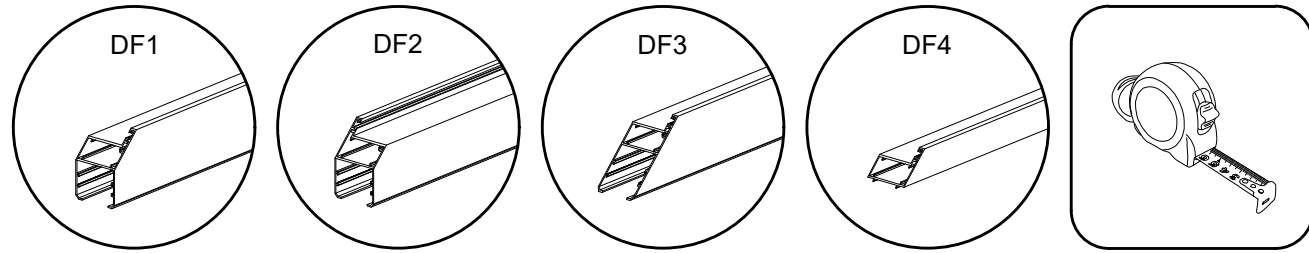
STEP 3 :



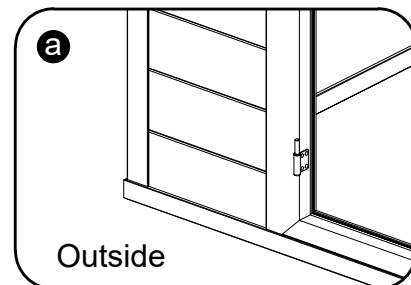
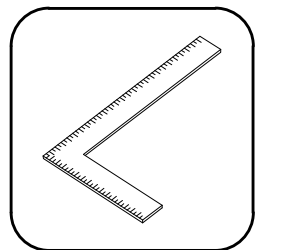
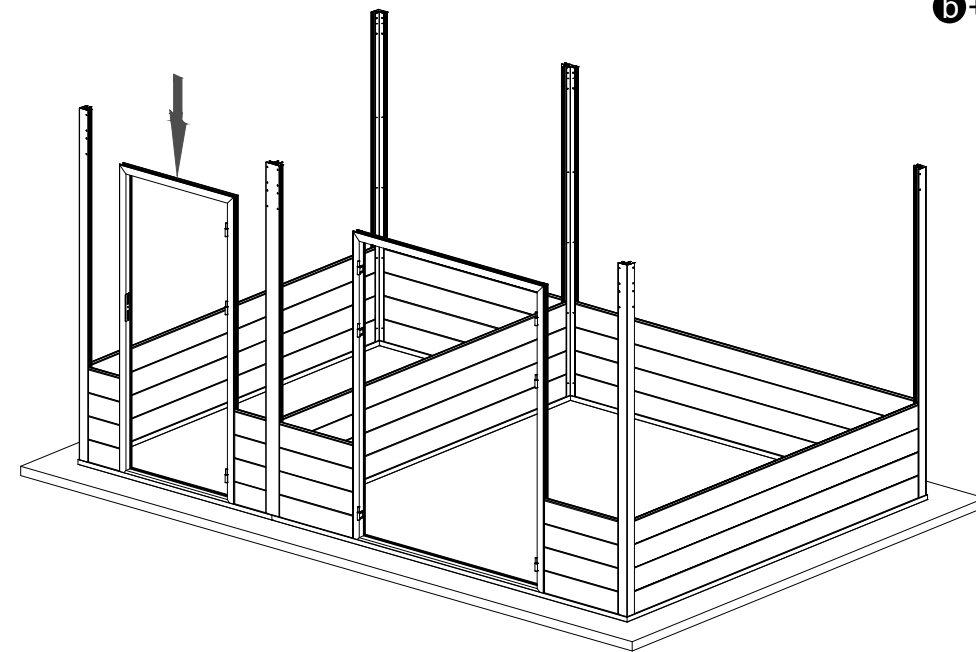
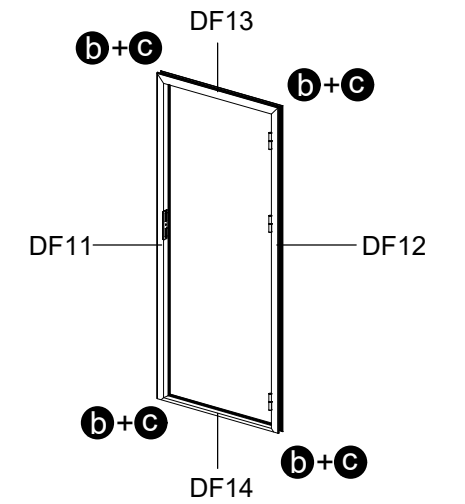
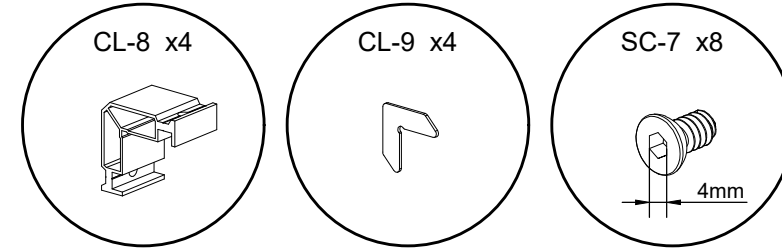
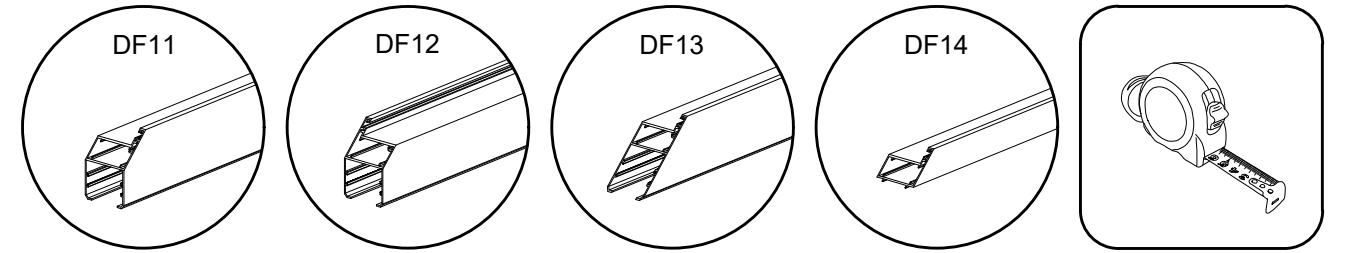
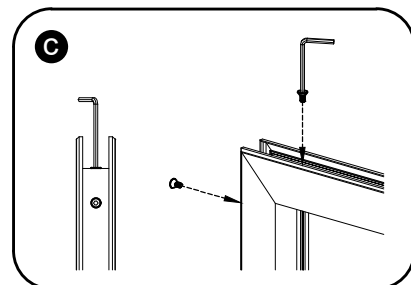
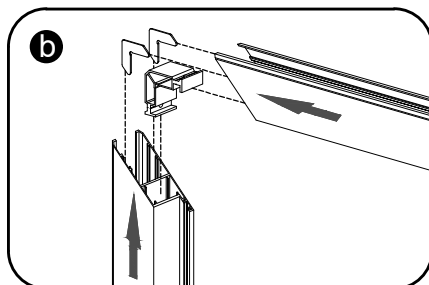
STEP 4 :



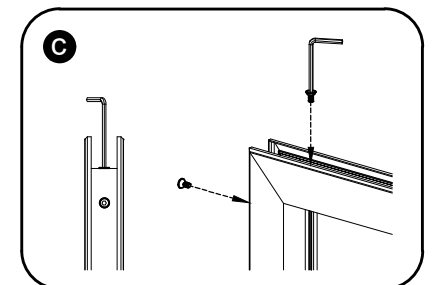
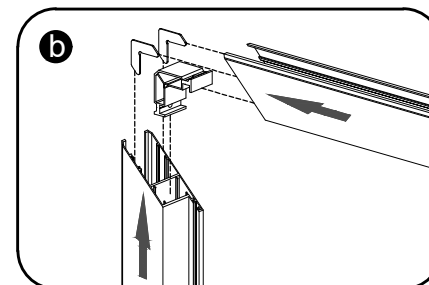
STEP 5 :



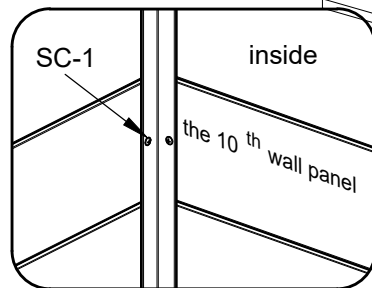
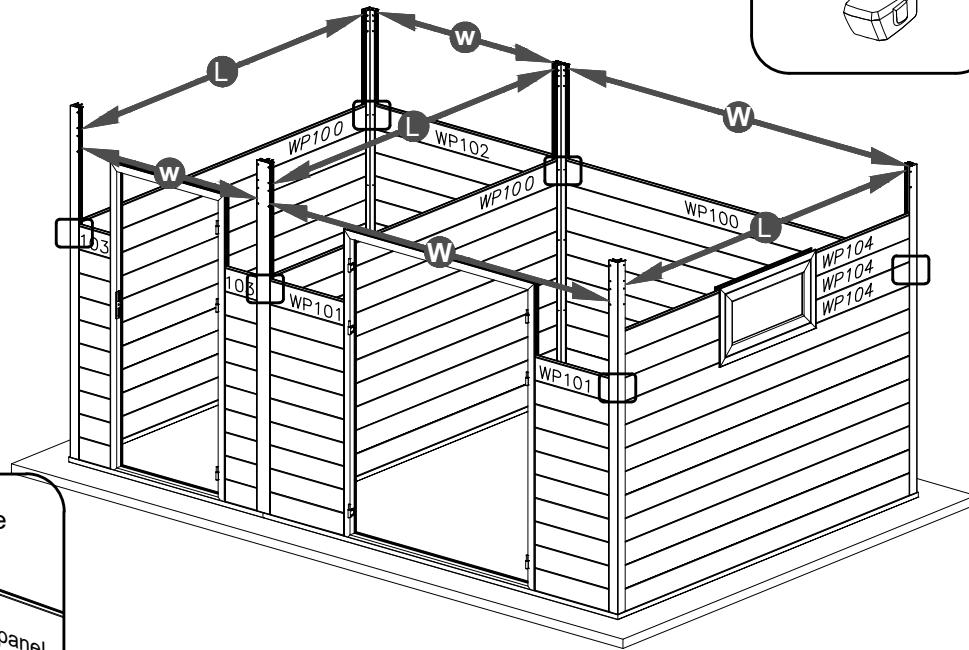
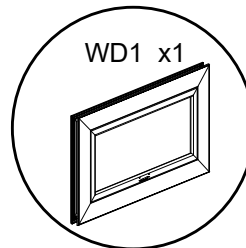
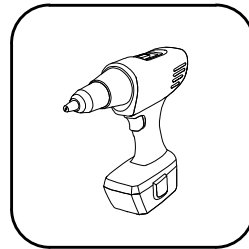
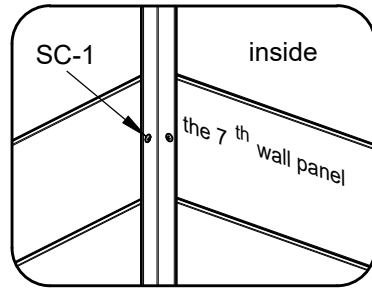
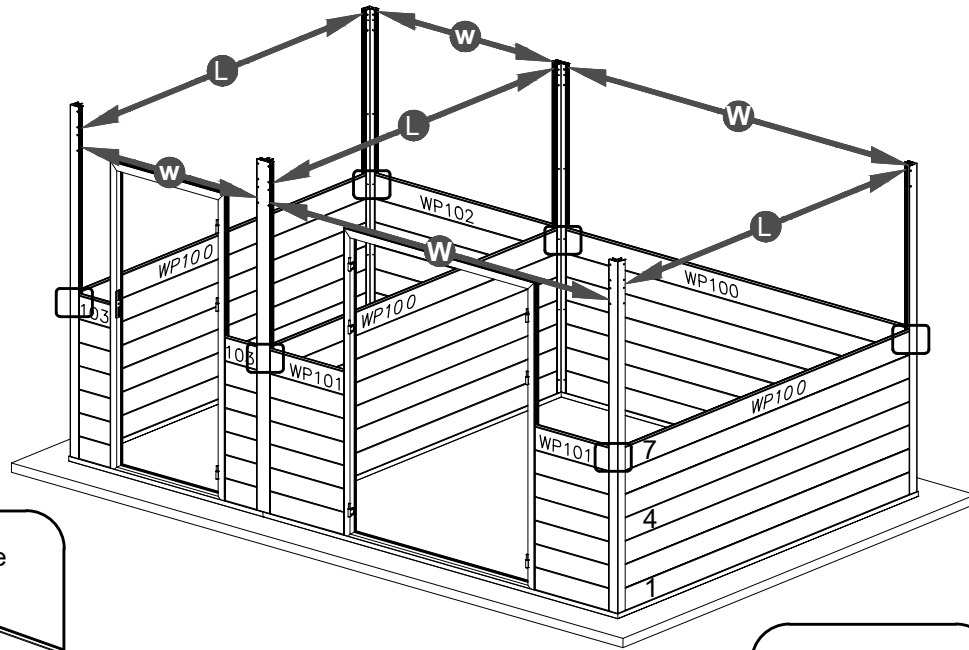
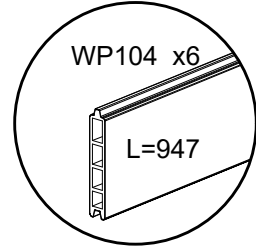
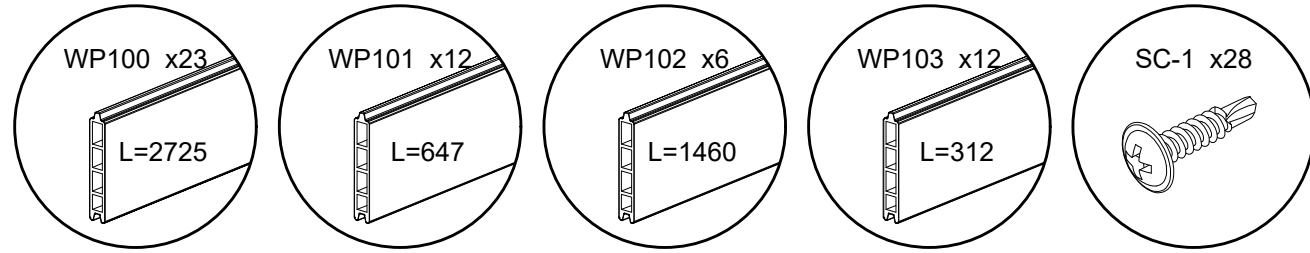
Outside



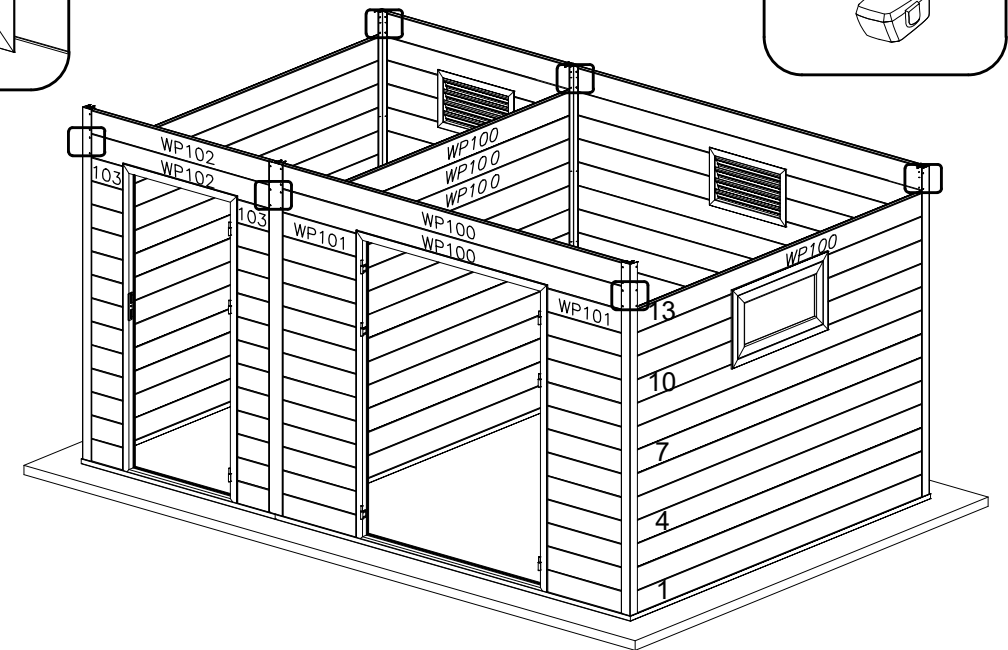
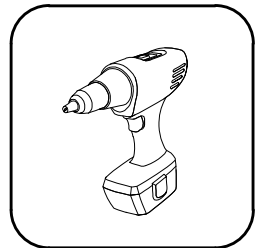
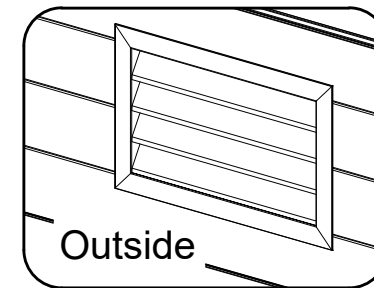
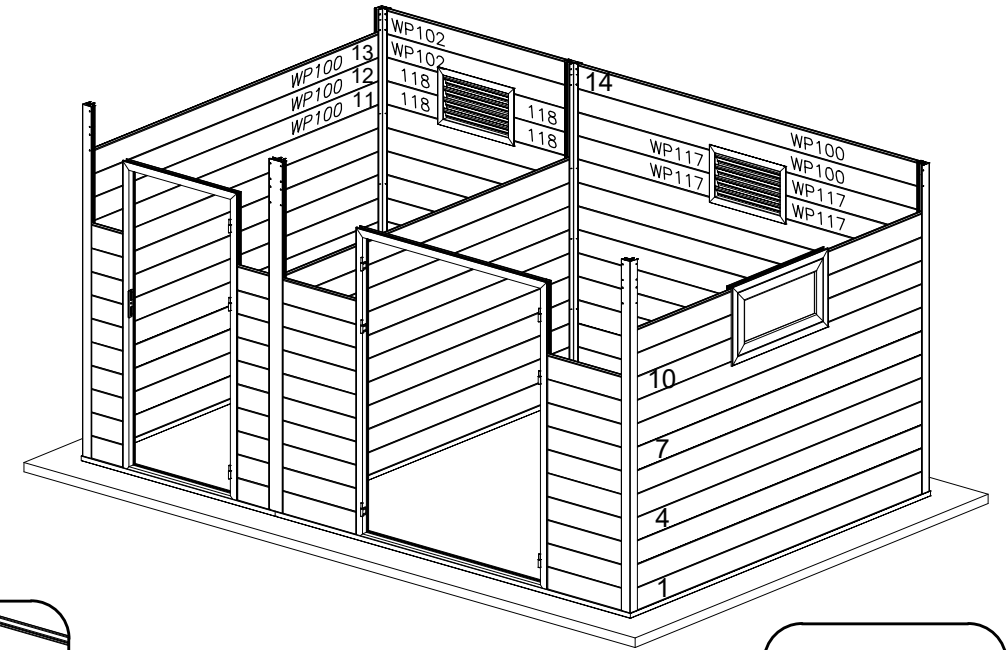
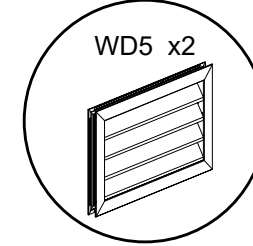
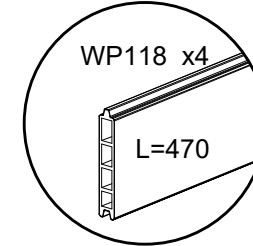
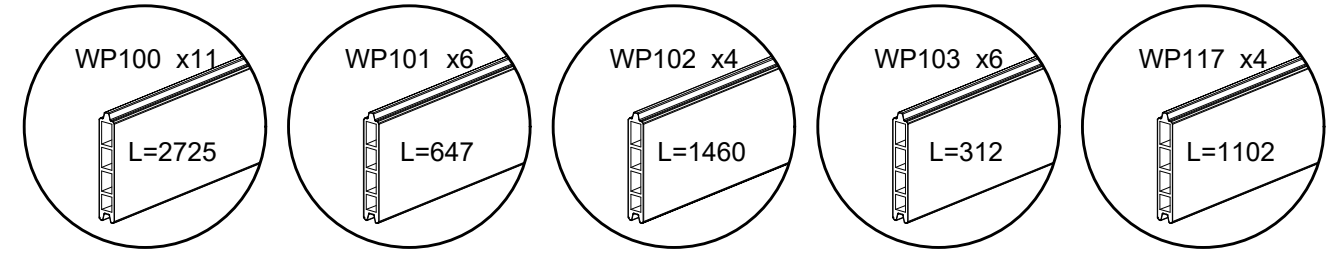
Outside



STEP 6 :

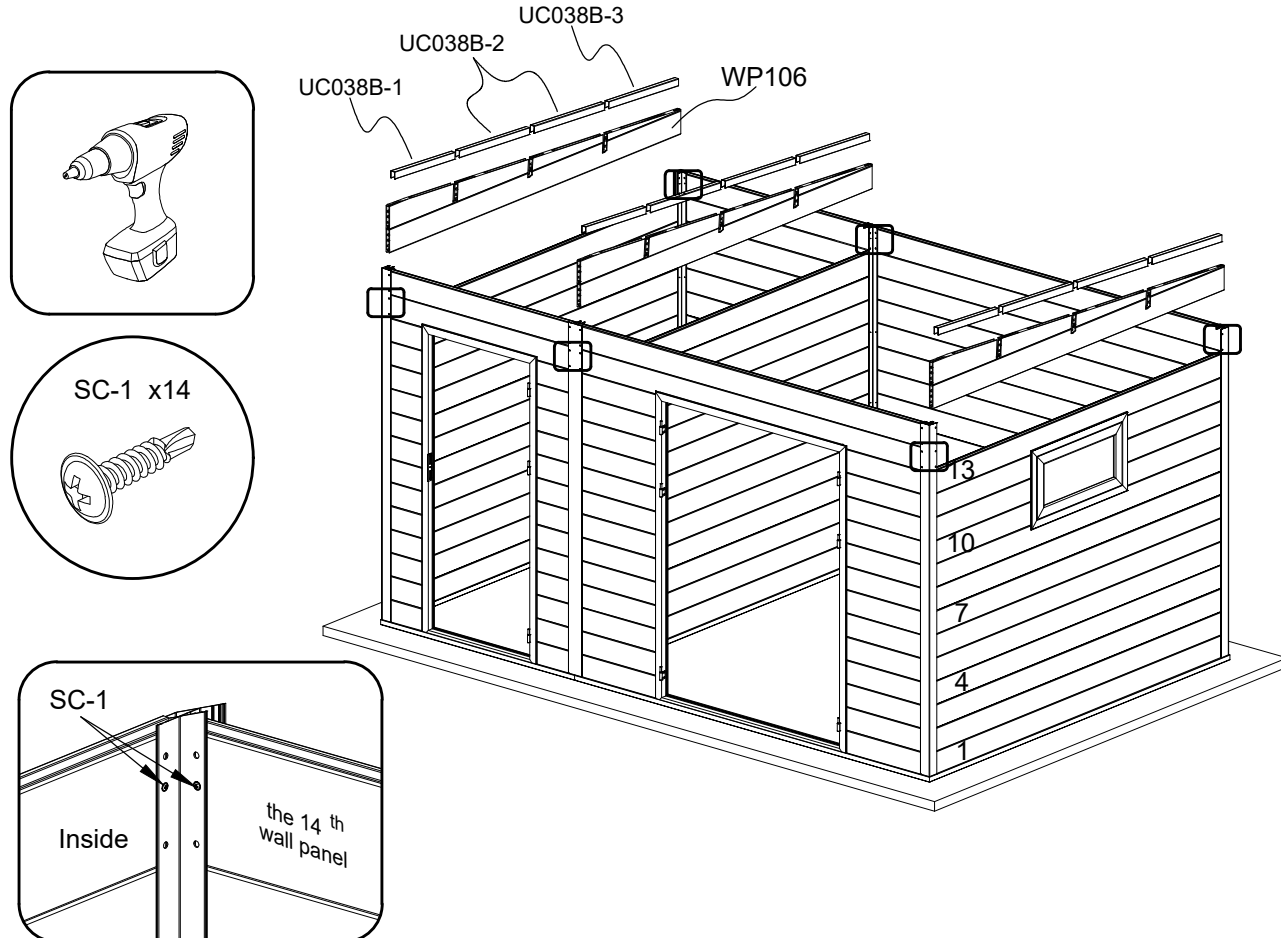
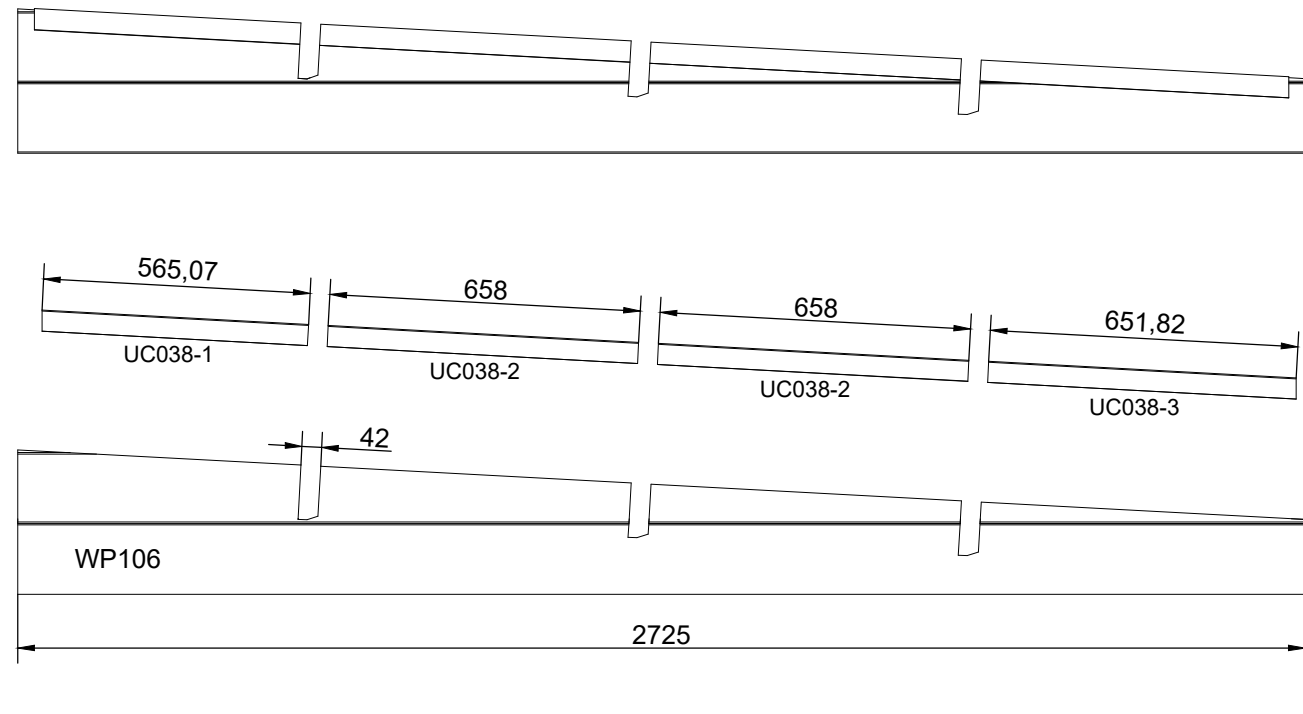


STEP 7 :

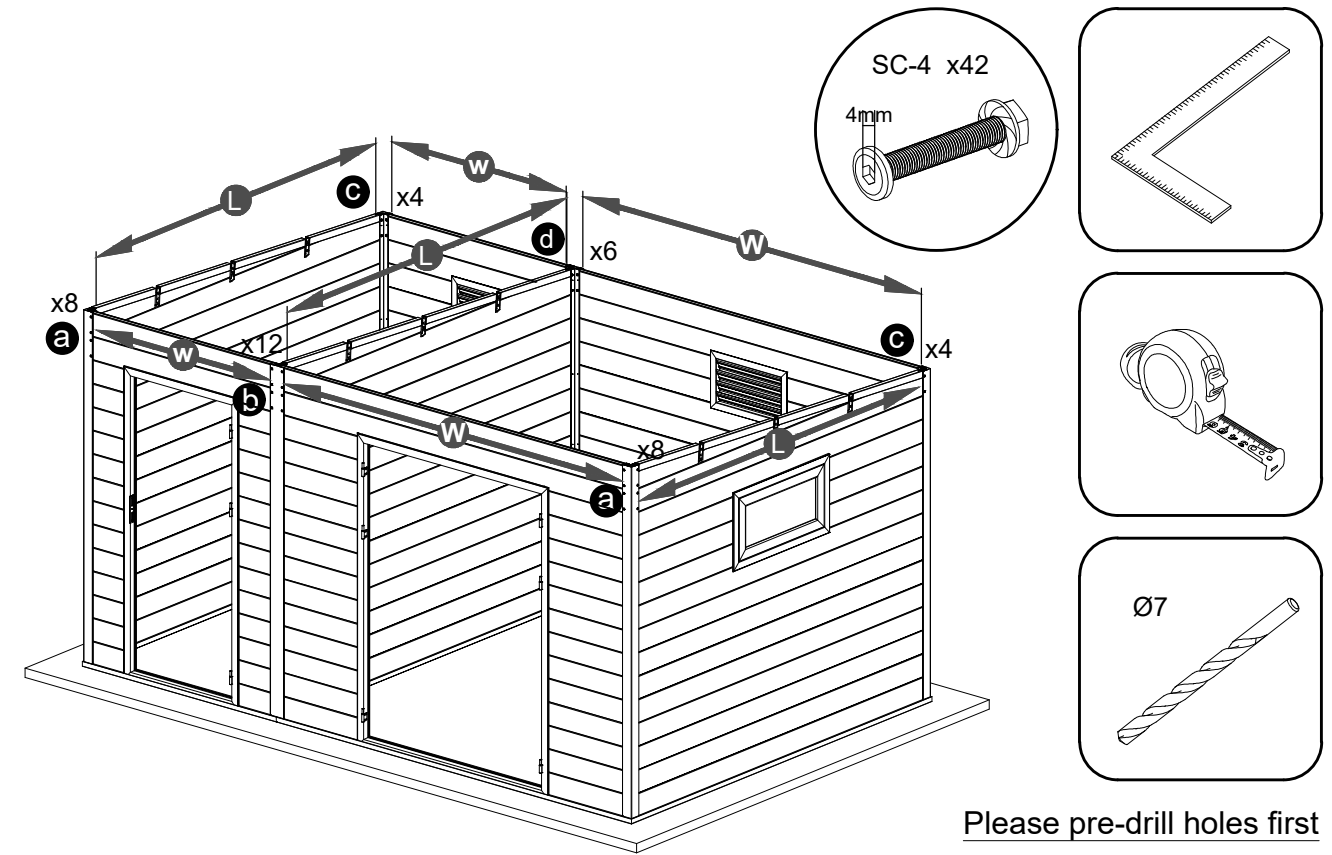


STEP 8 :

WP106 + UC038 x3

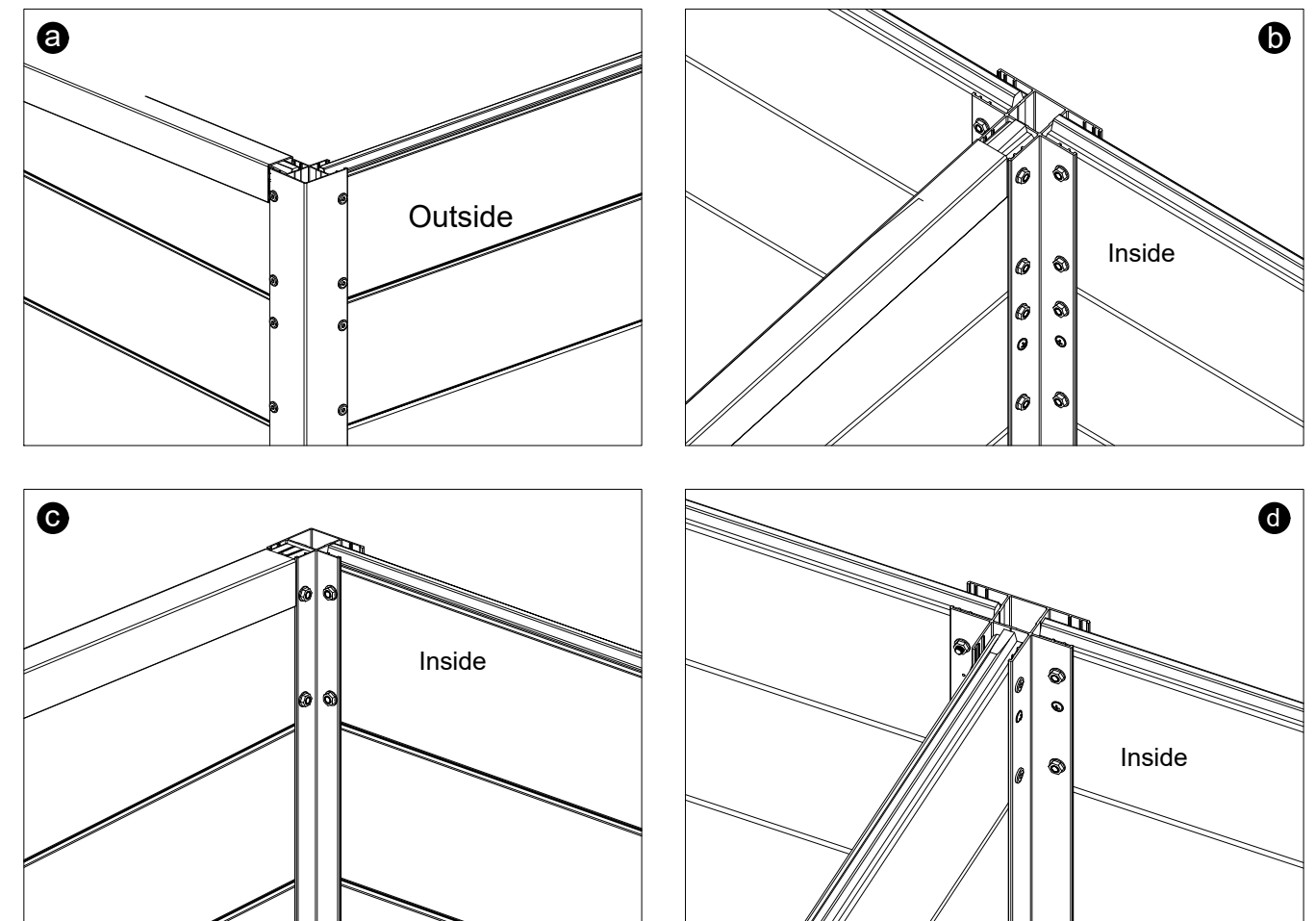


STEP 9 :

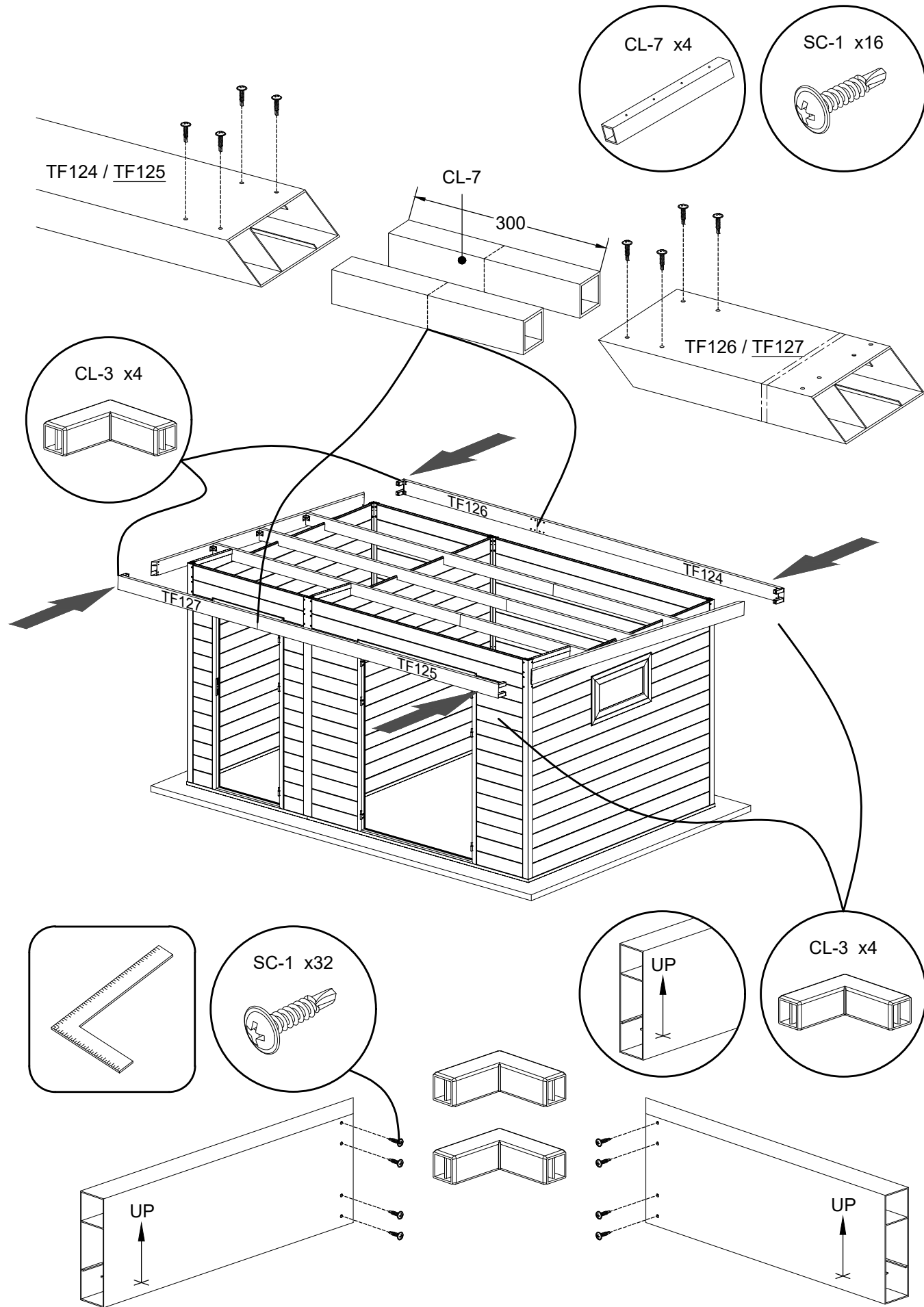


Please pre-drill holes first

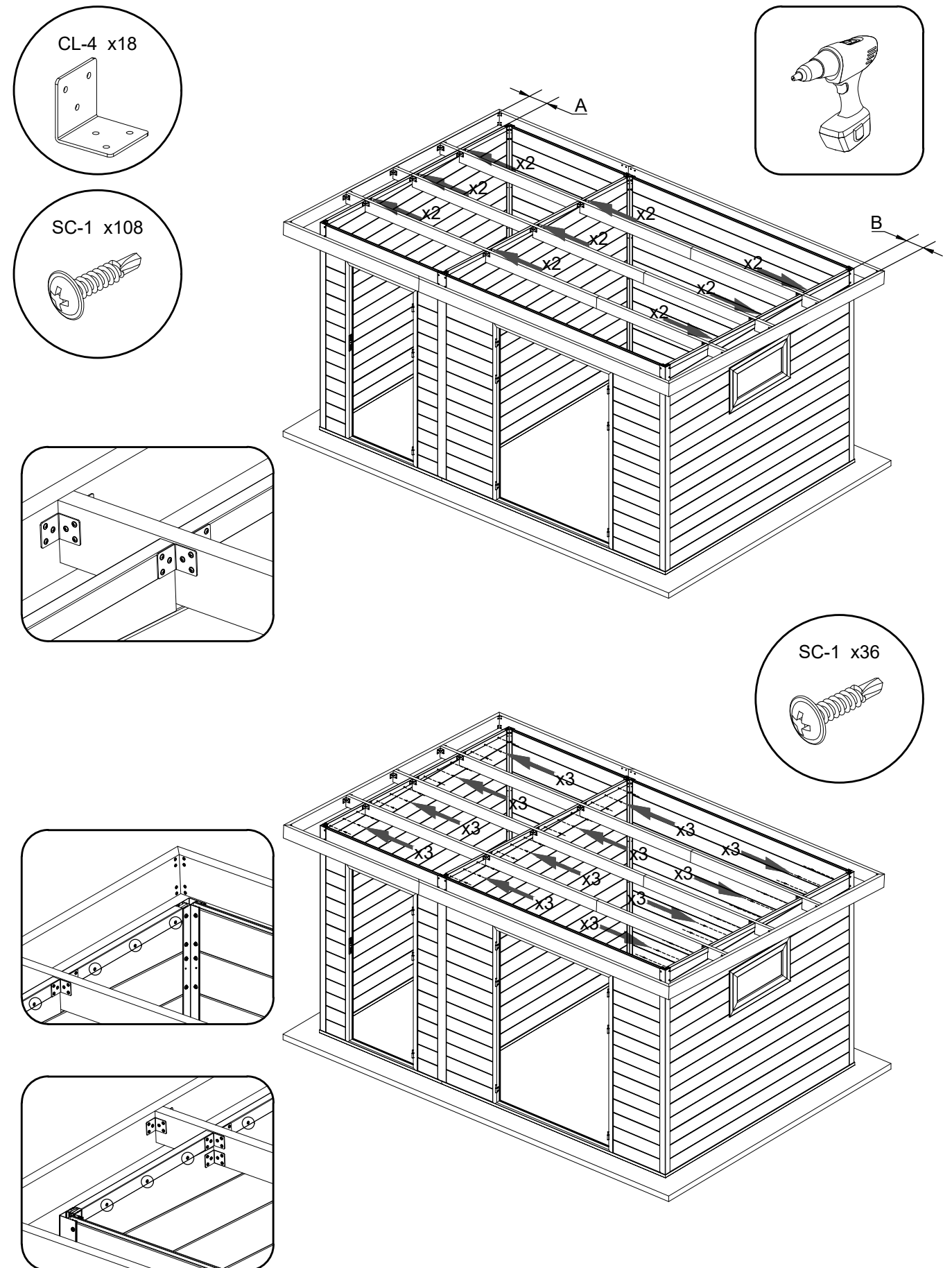
Detail:



STEP 12 :

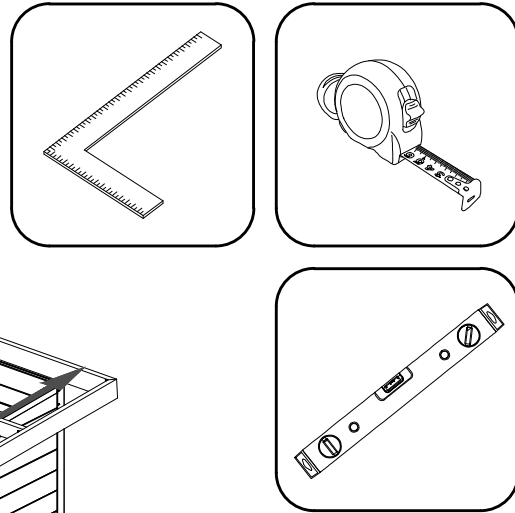
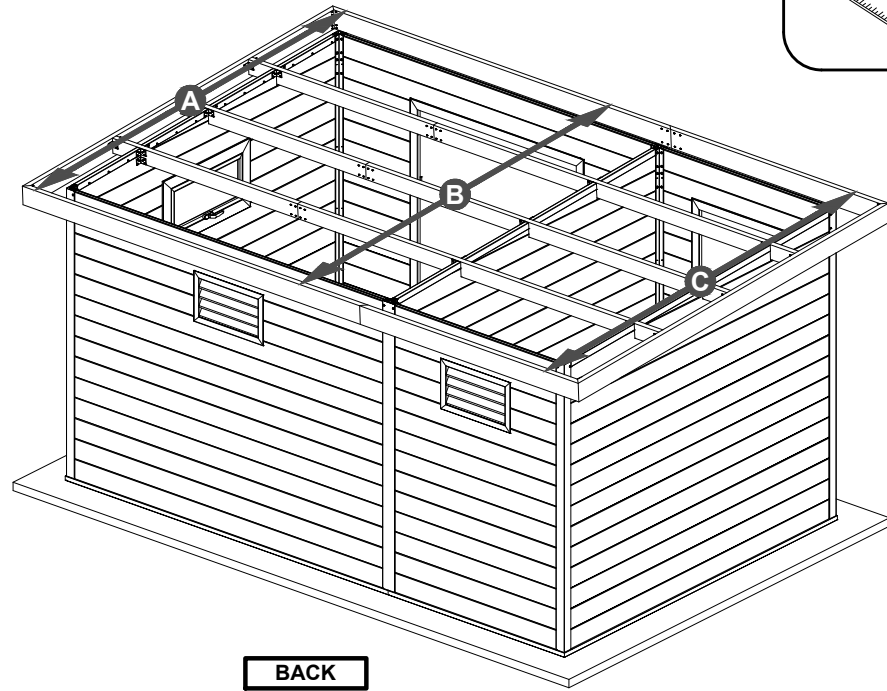


STEP 13 : Connecting Together

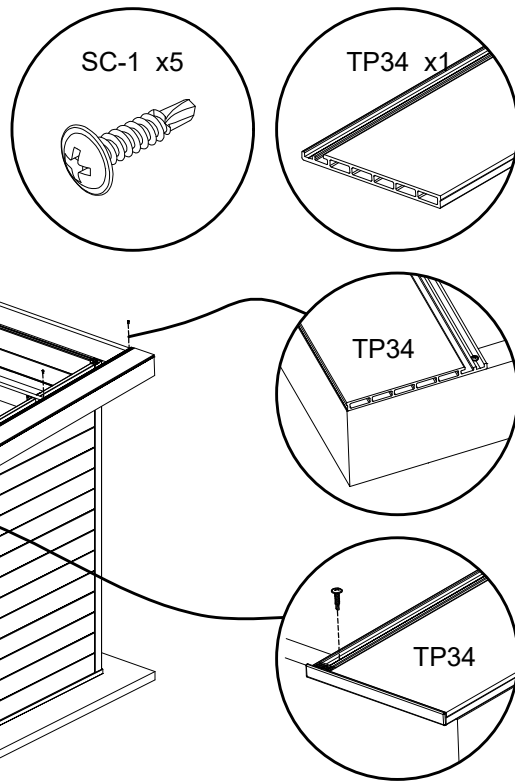
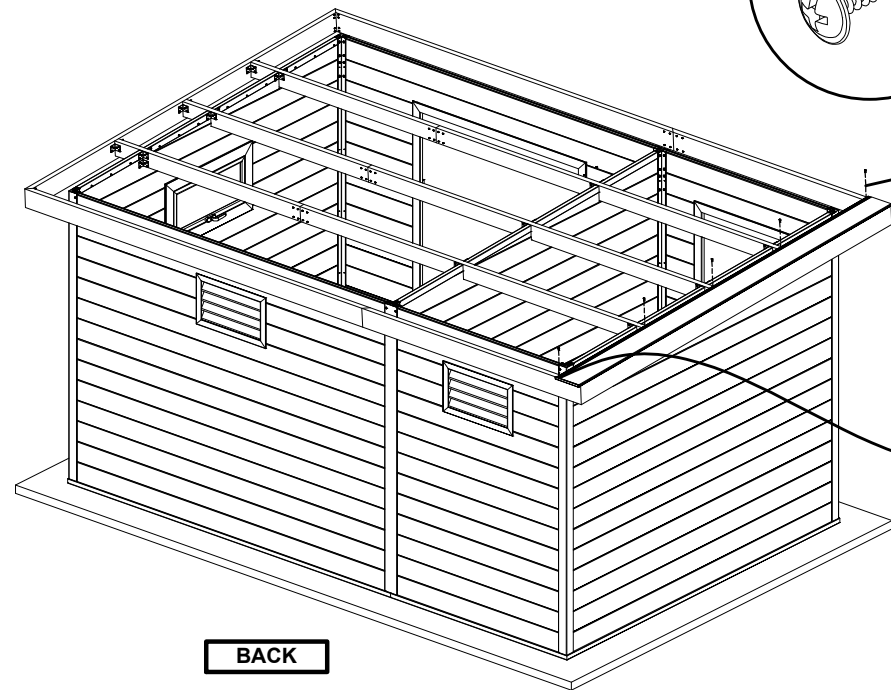


STEP 14 :

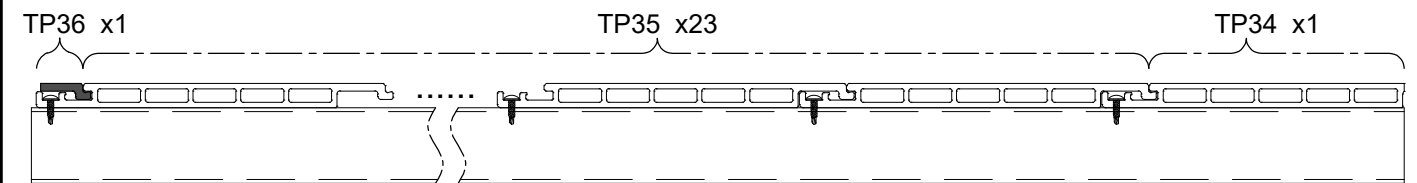
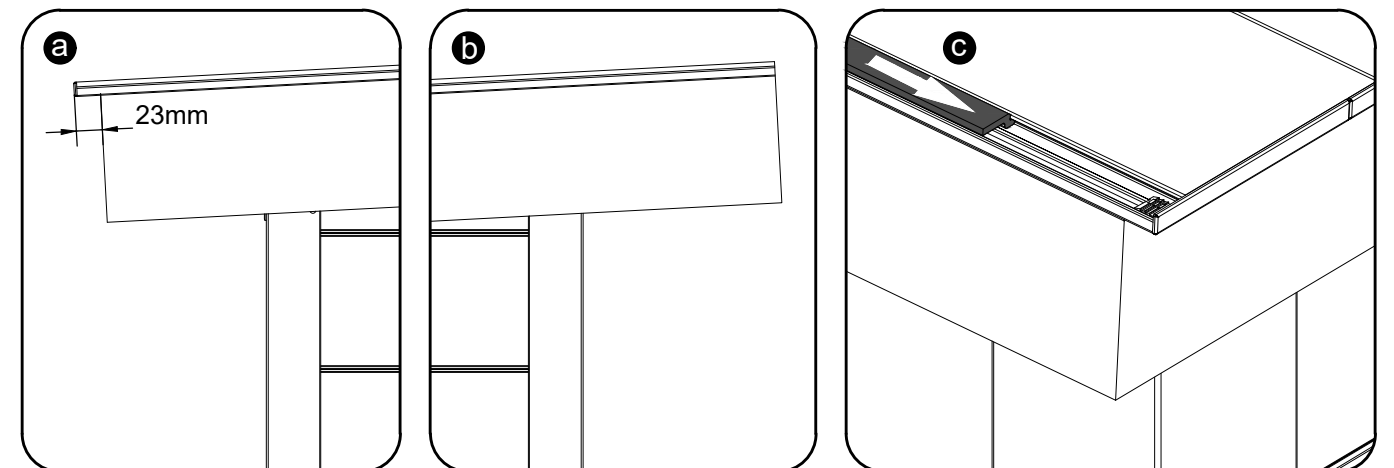
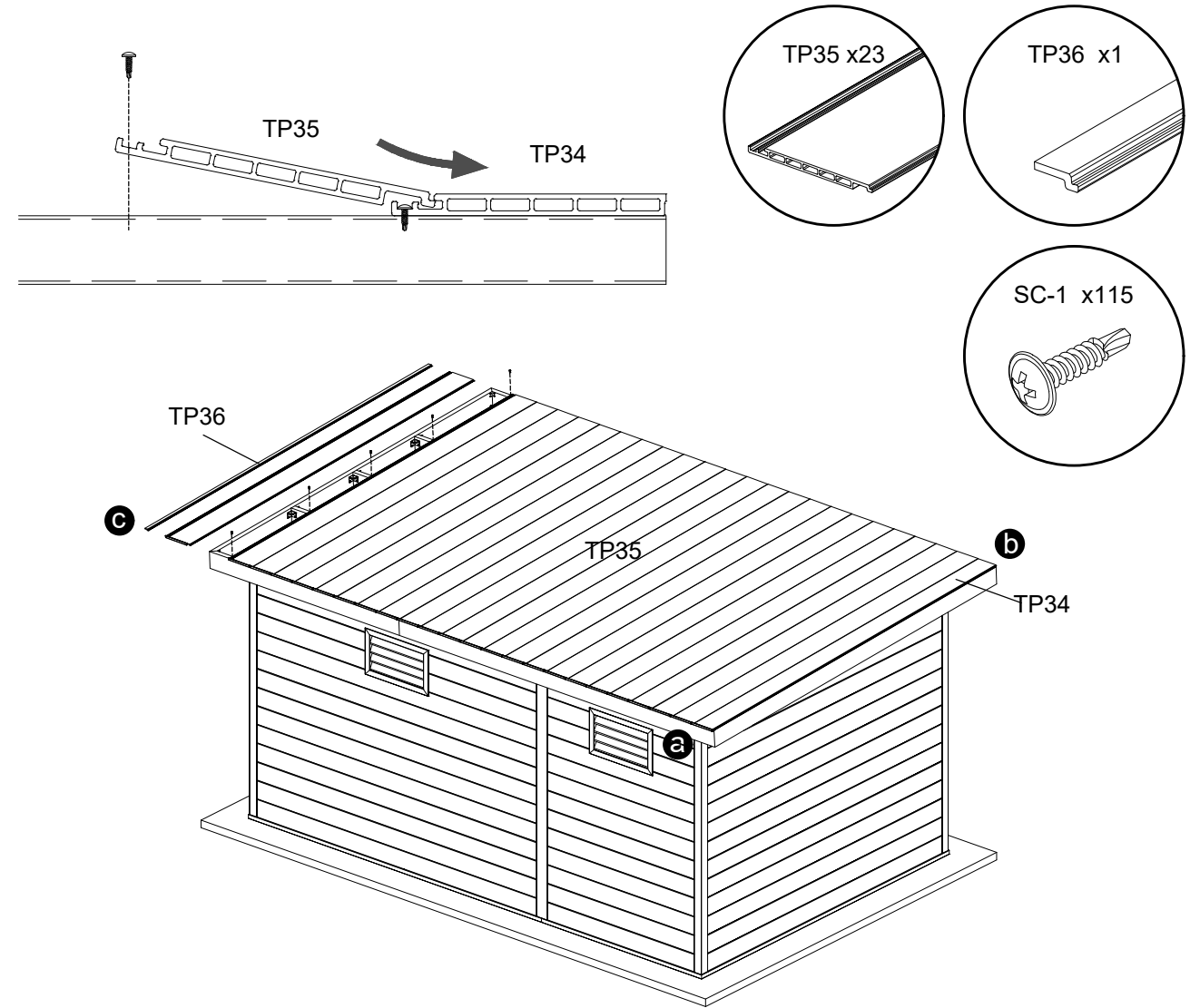
A = B = C



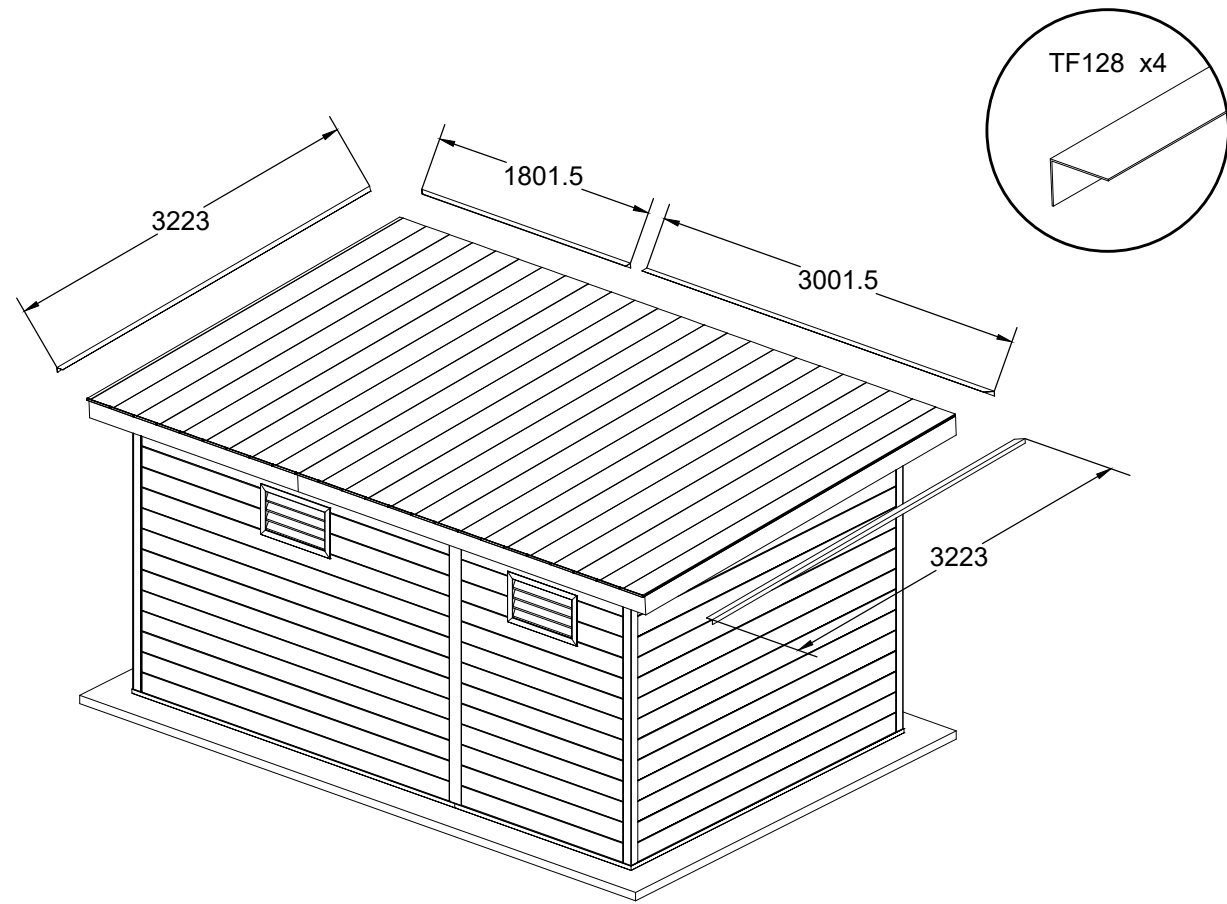
STEP 15 : The installation of top roof panel.



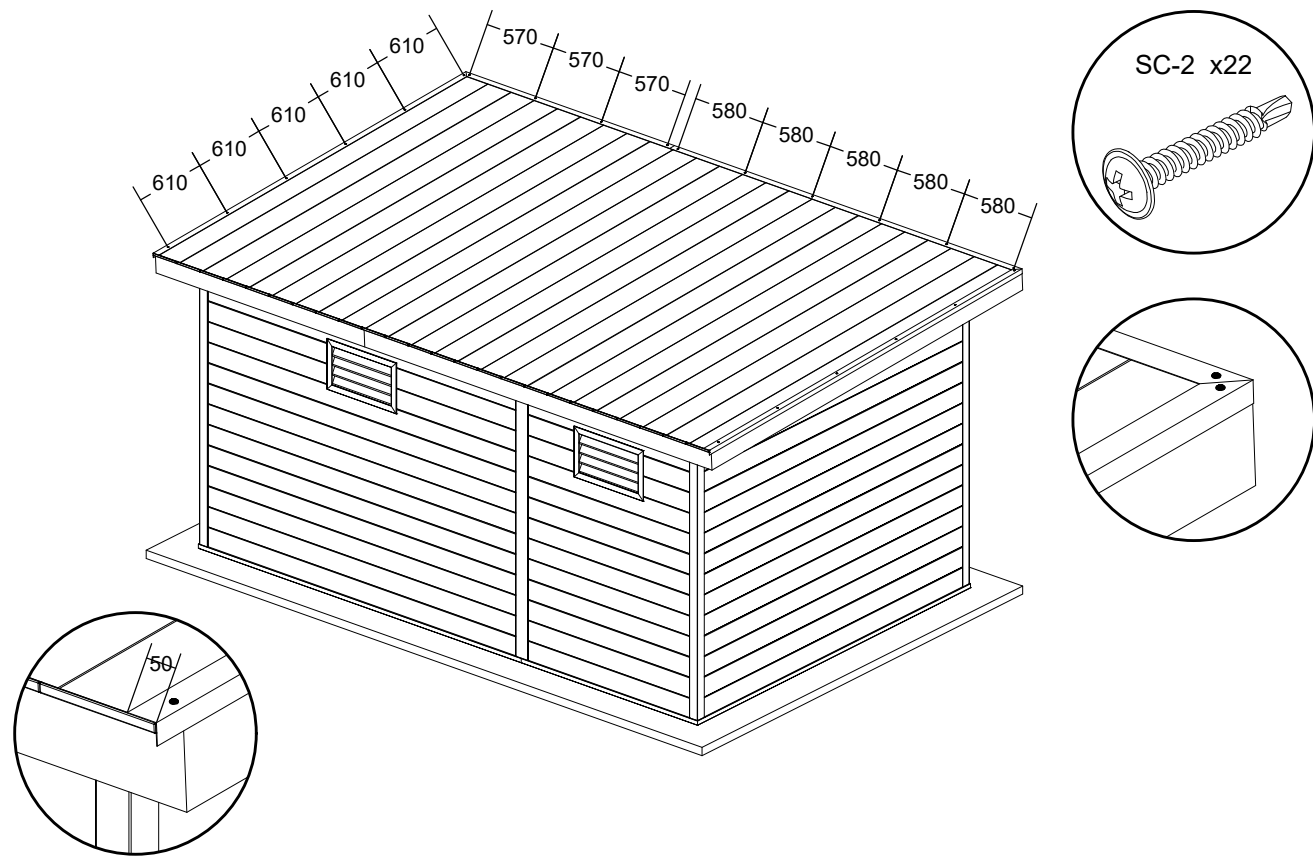
STEP 16 :



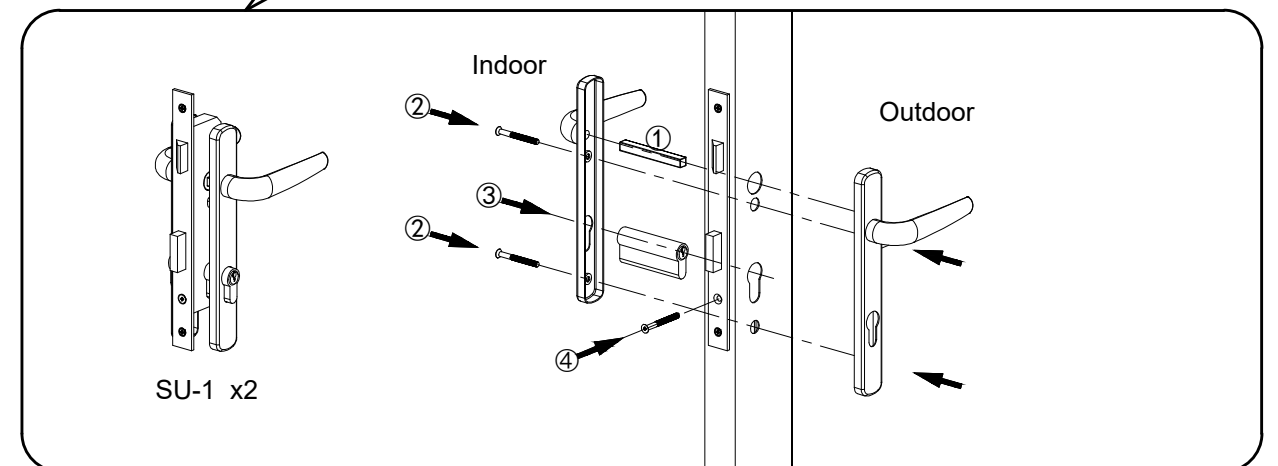
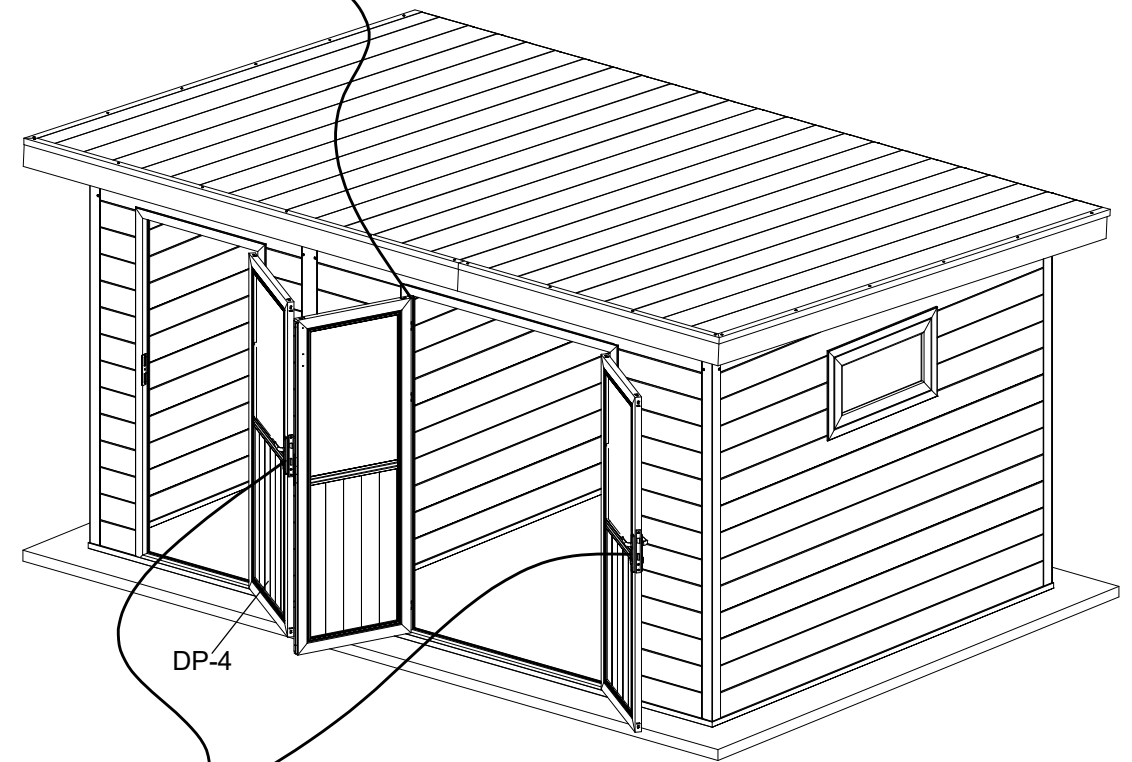
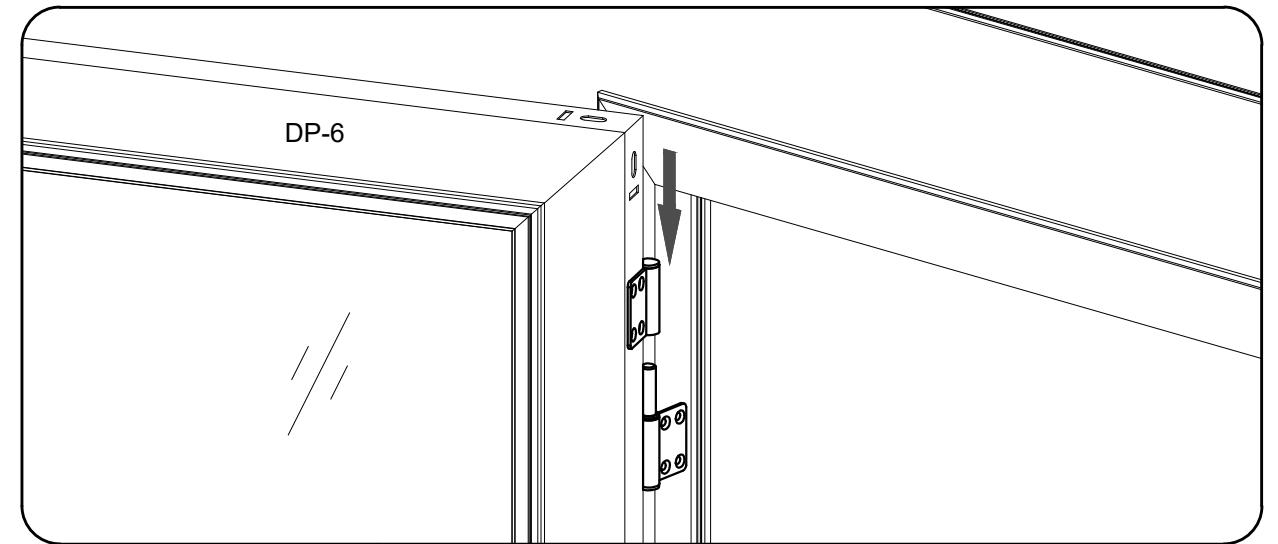
STEP 17:



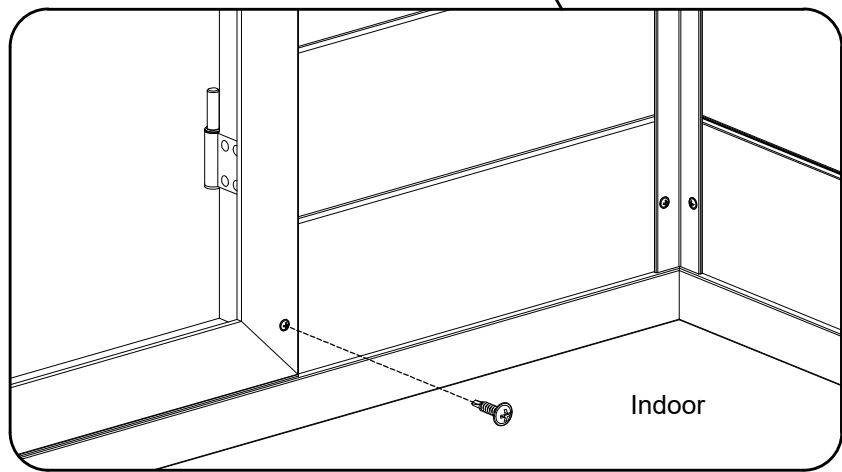
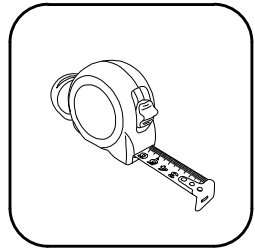
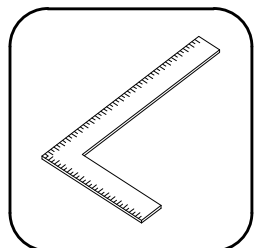
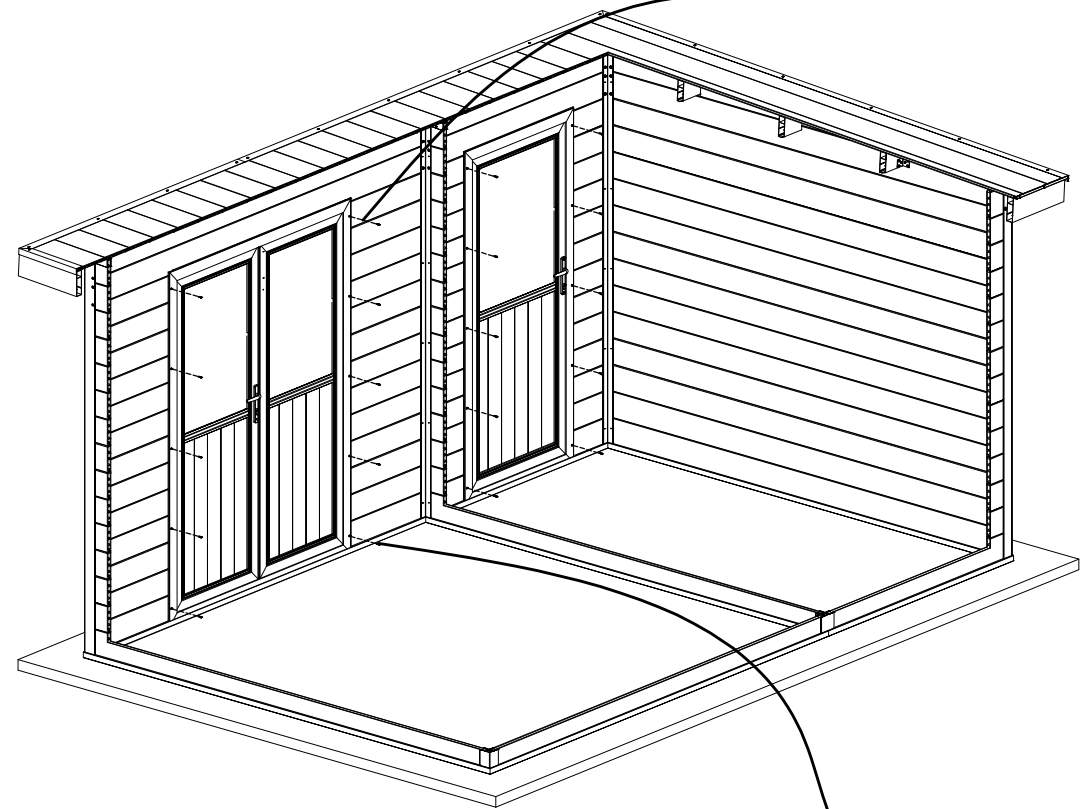
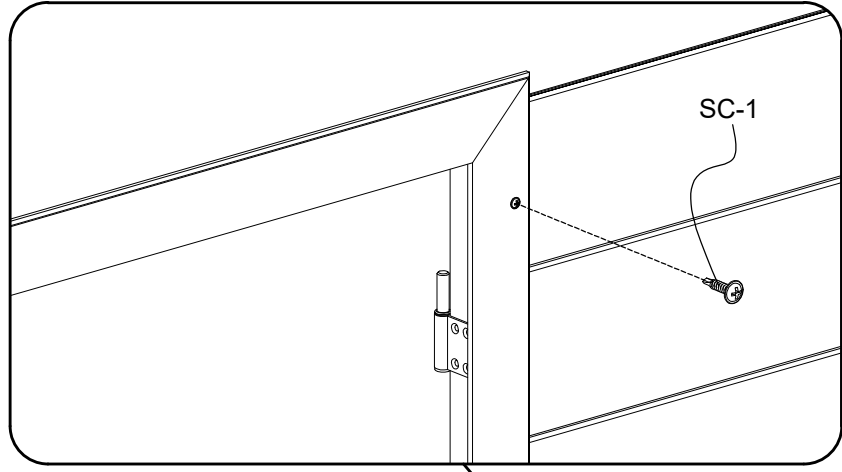
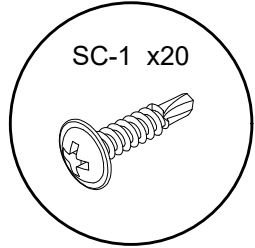
STEP 18 :



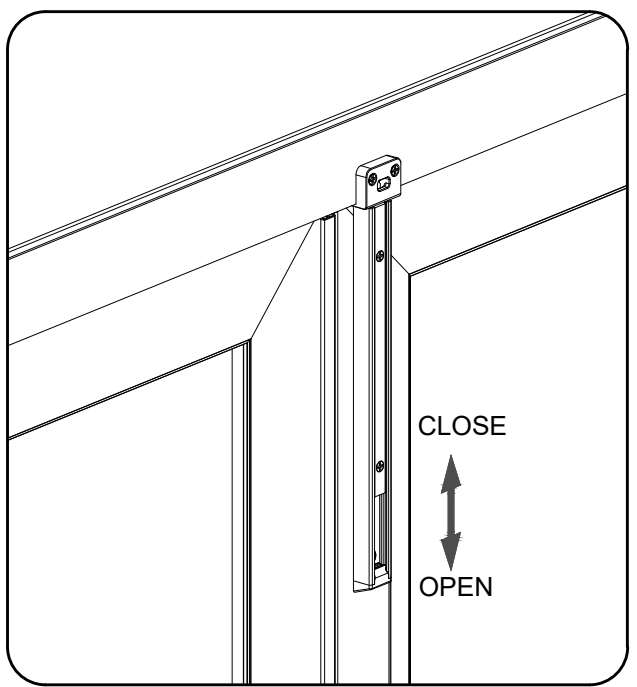
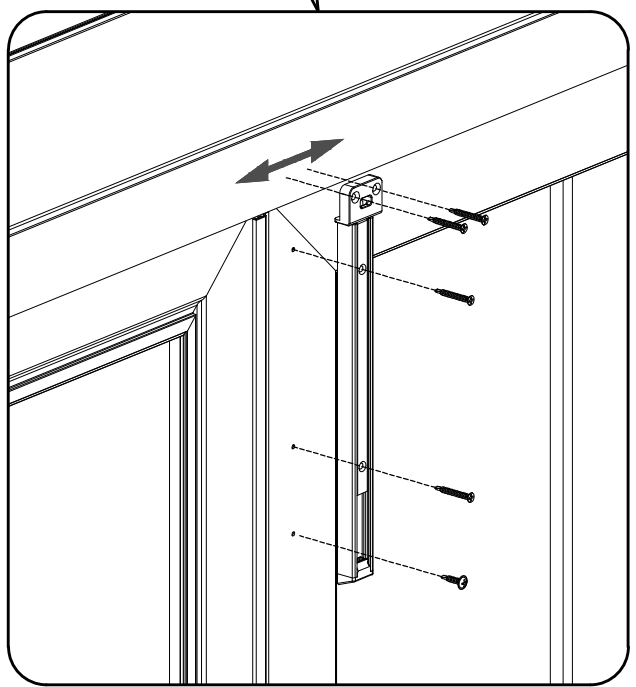
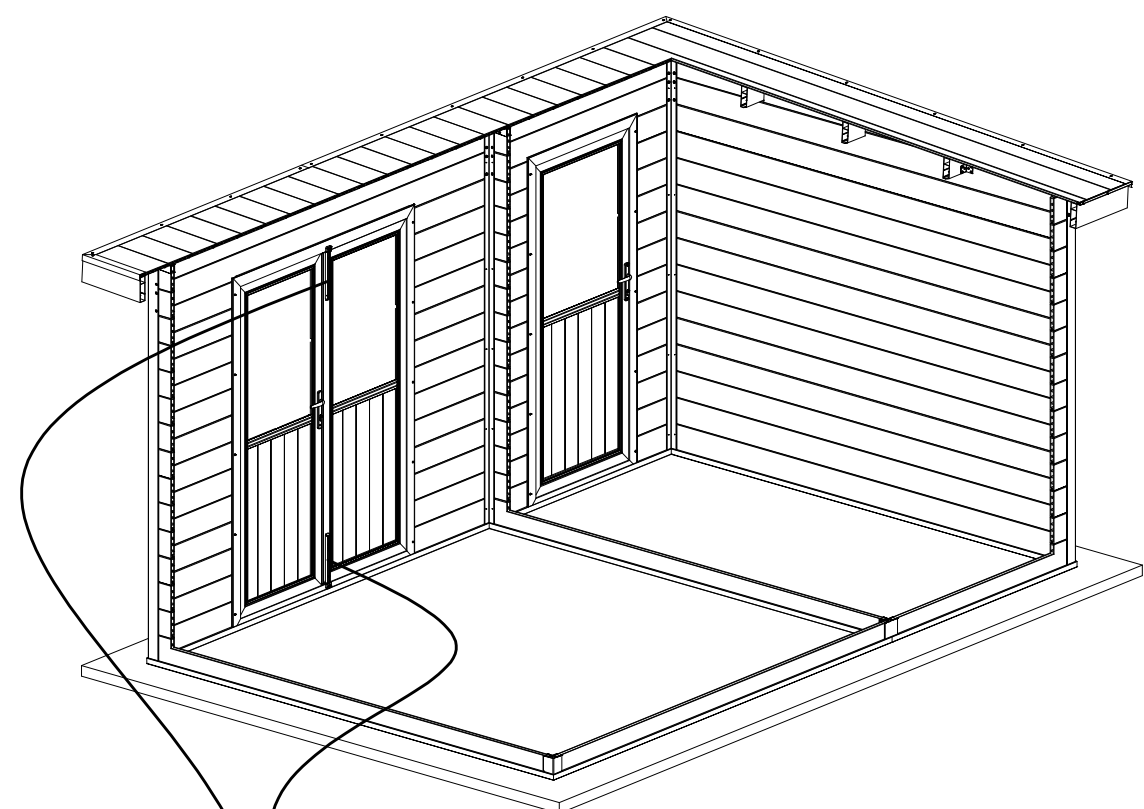
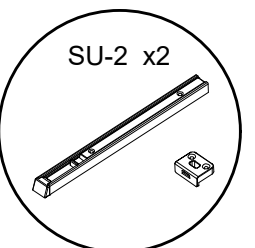
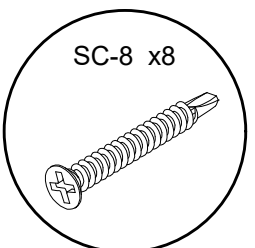
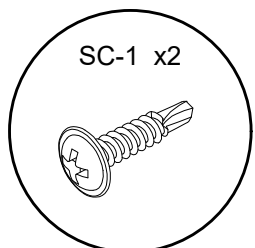
STEP 19: DOOR and LOCK



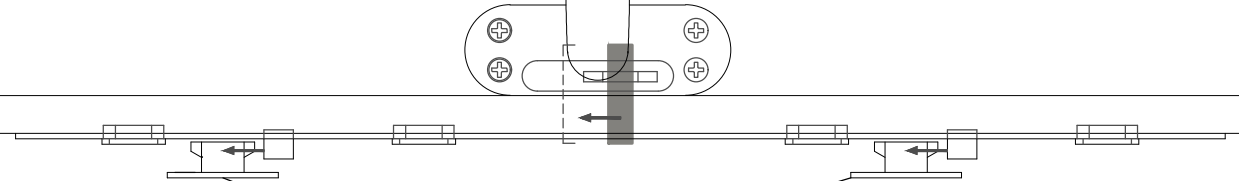
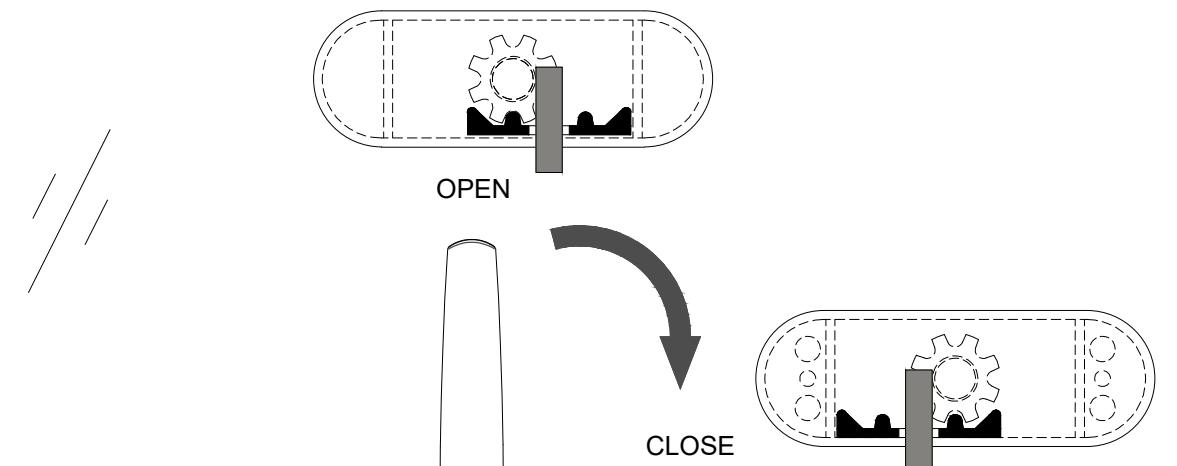
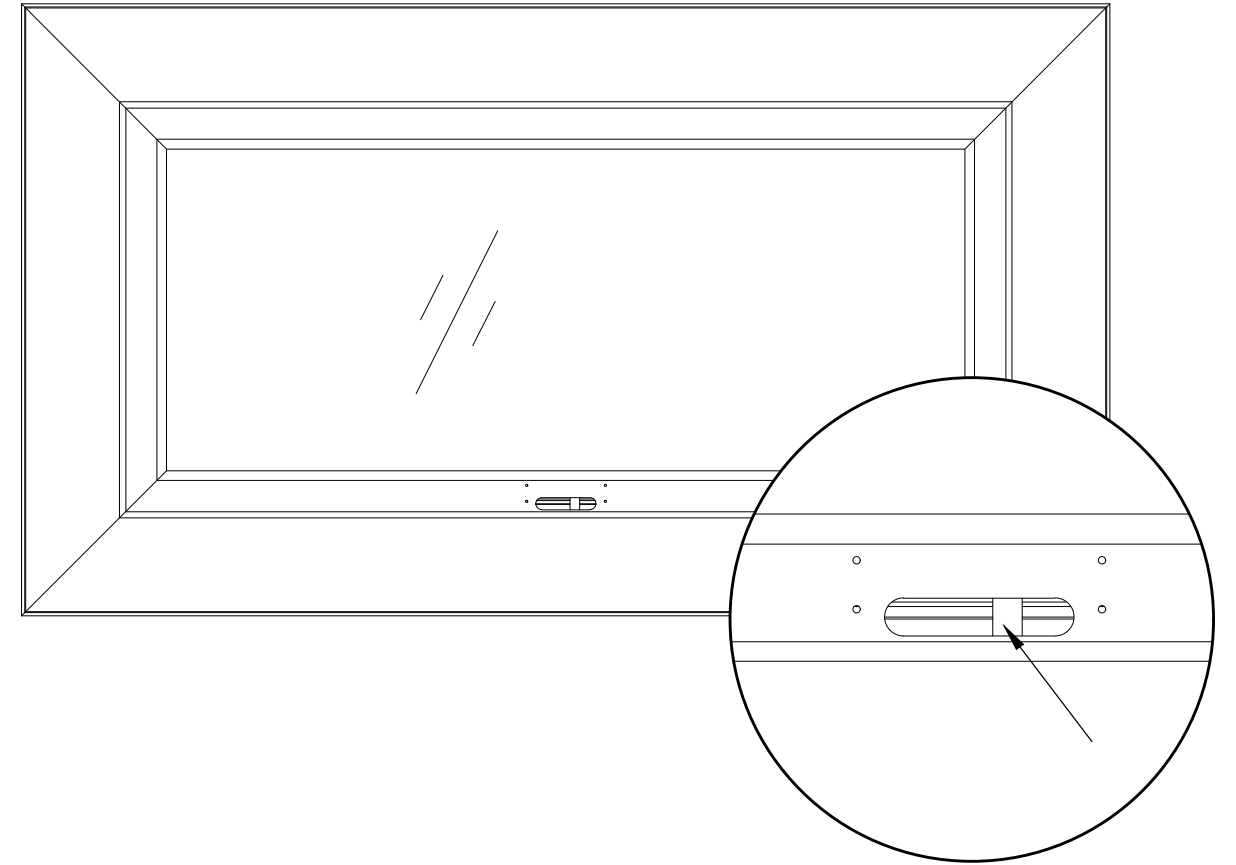
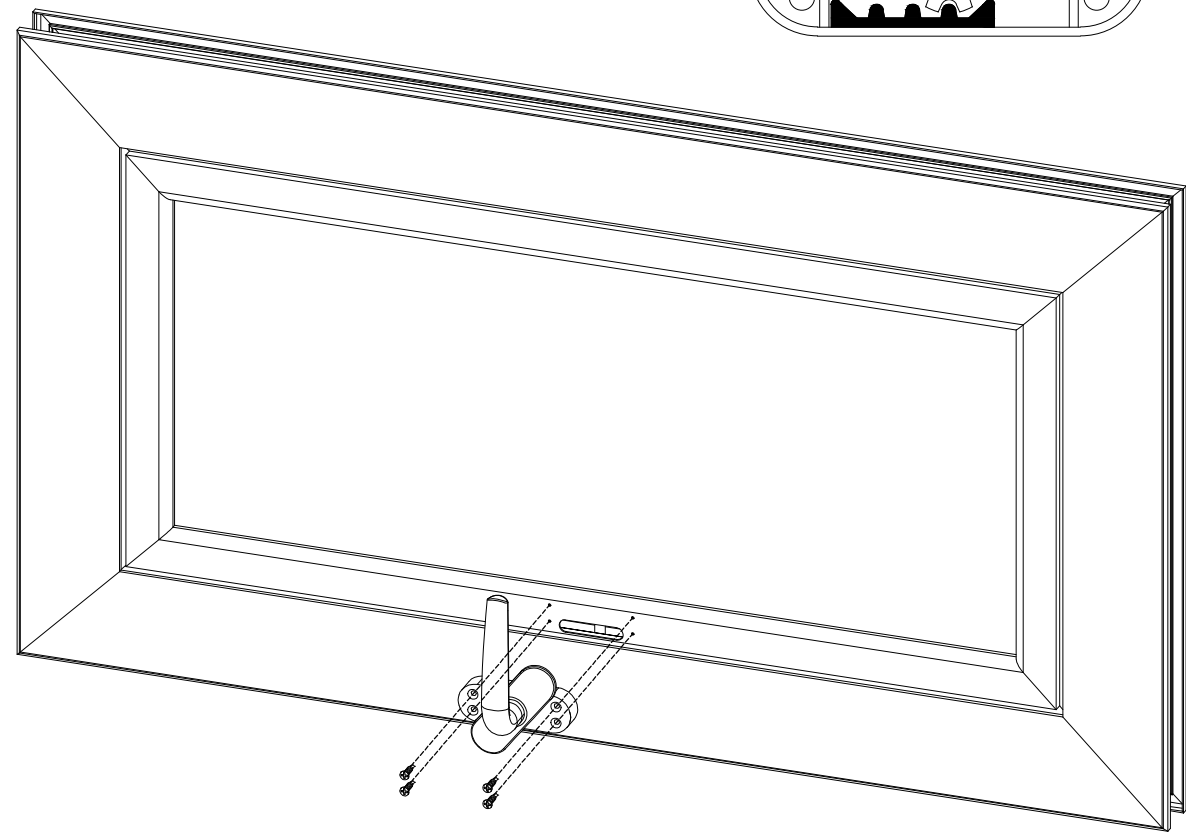
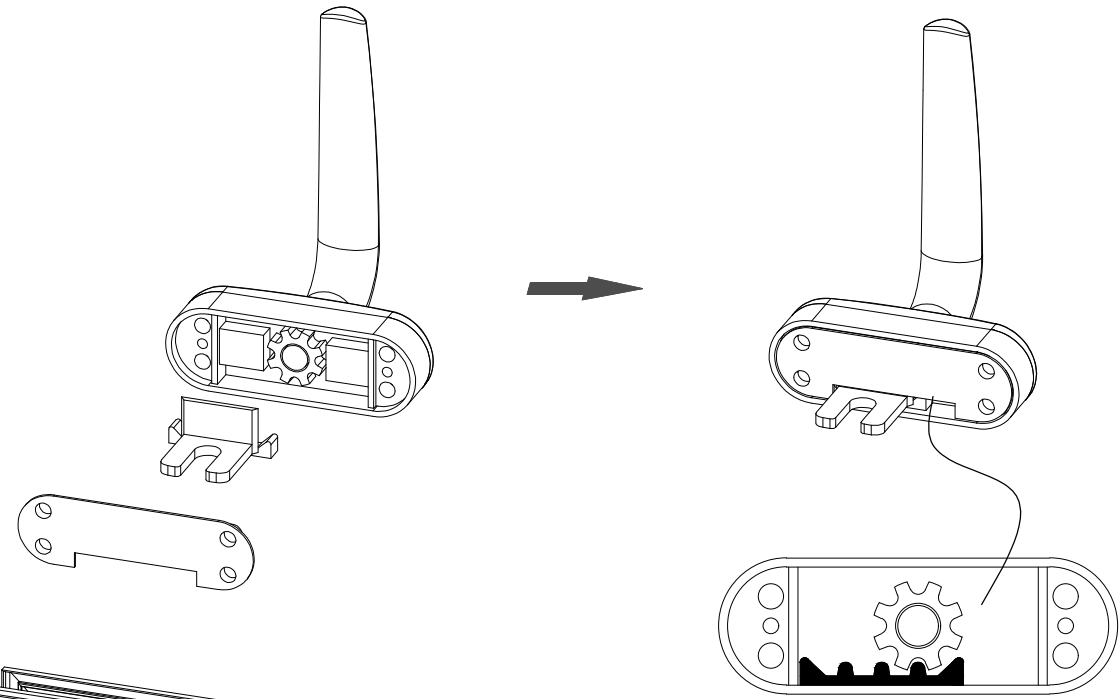
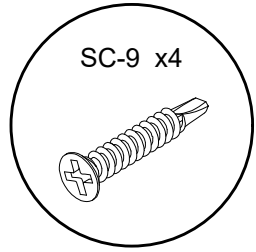
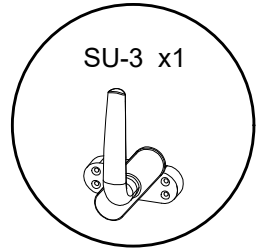
STEP 20 : Connecting Together



STEP 21 :

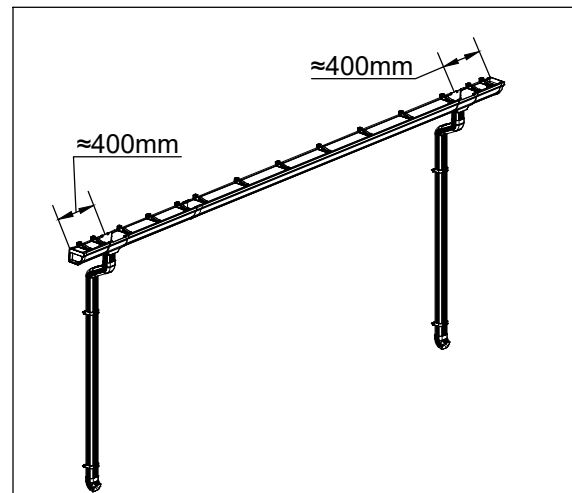
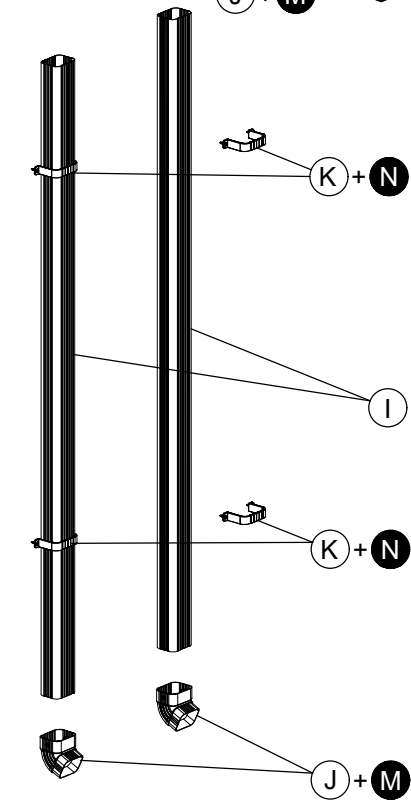
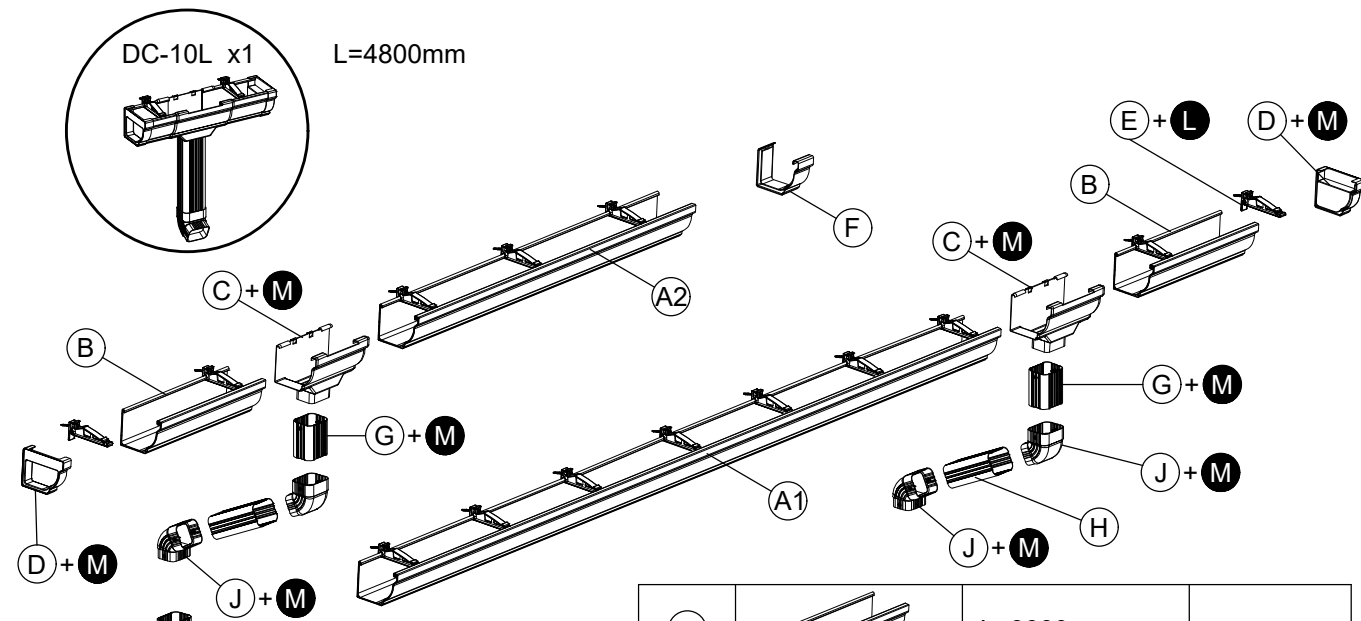


The installation of window fastener



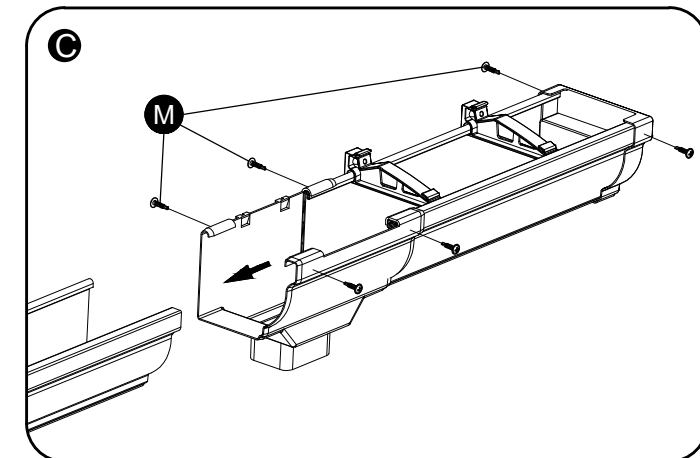
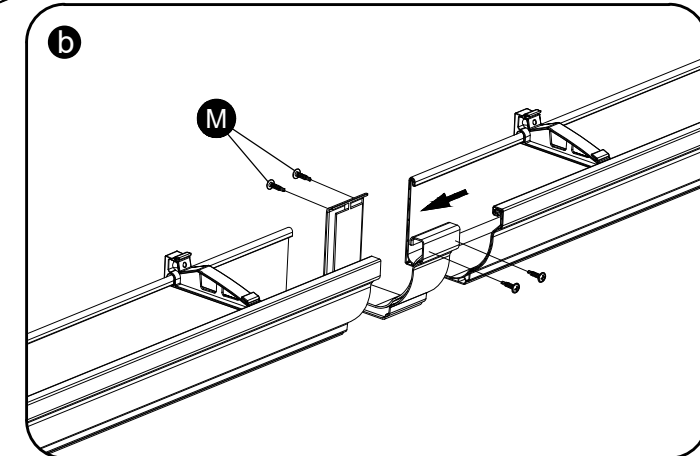
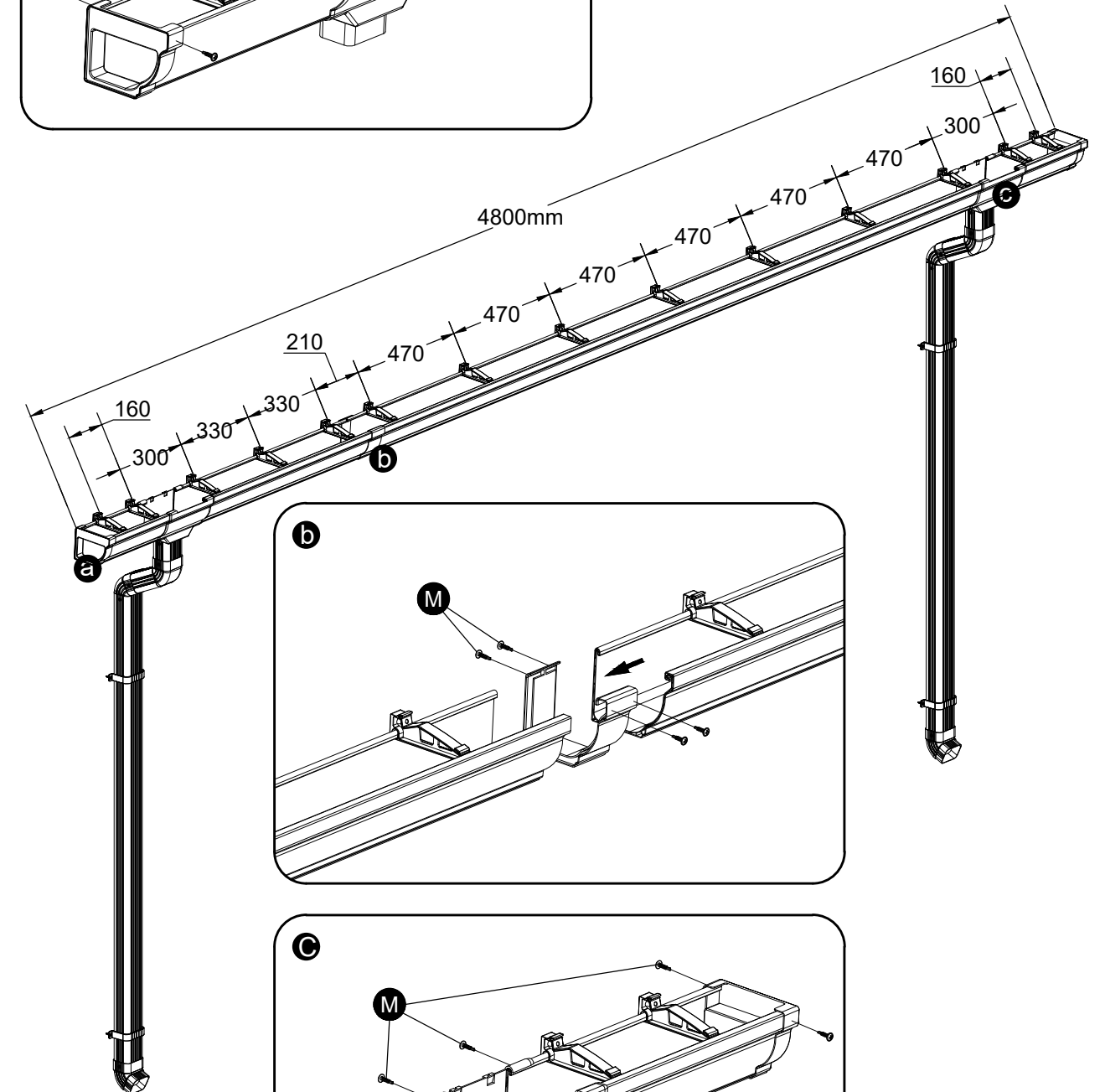
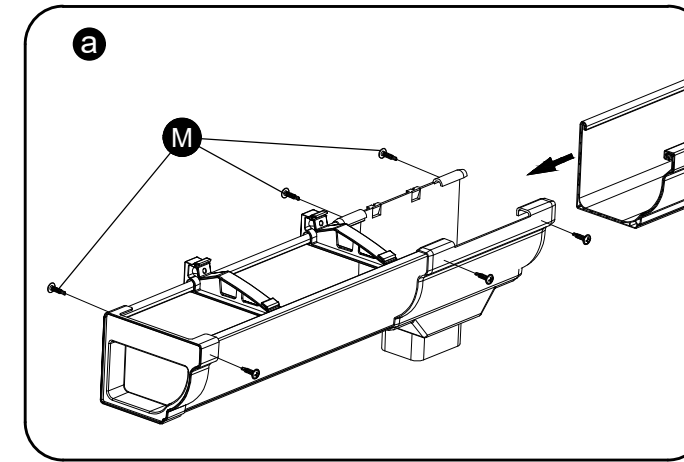
Lock point

Optional accessory: Gutter System

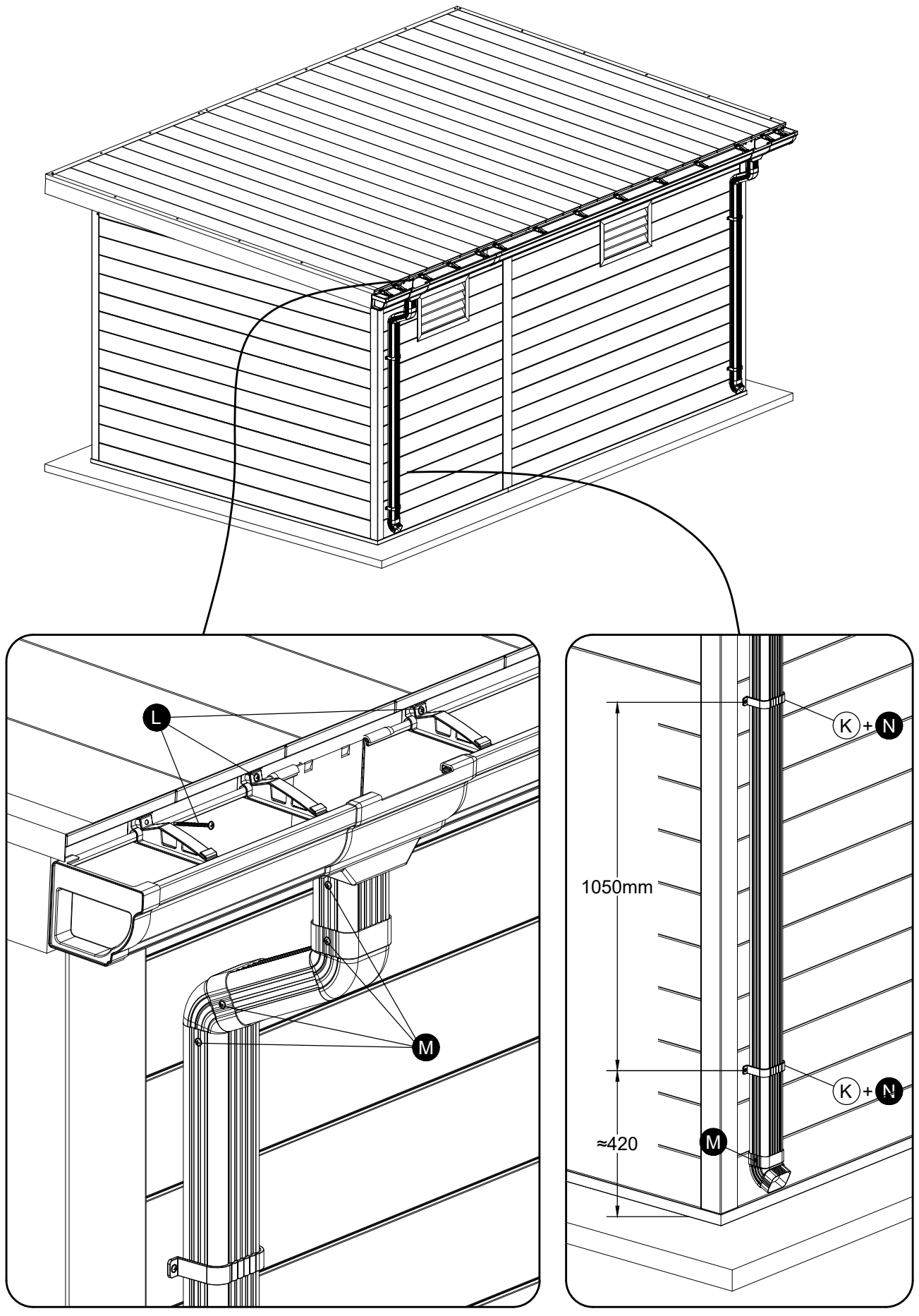


(A1)		L=3000mm	1
(A2)		L=840mm	1
(B)		L=330mm	2
(C)		/	2
(D)		/	1+1
(E)		/	14
(F)		/	1
(G)		L=100mm	2
(H)		L=130mm	2
(I)		L=1600mm	2
(J)		/	6
(K)		/	4
(L)		M4.2x50mm	20
(M)		M4.2x19mm	50
(N)		M4x20mm	12

Installation of Gutter



Installation of drainage pipe



Structural adhesive (not included)

