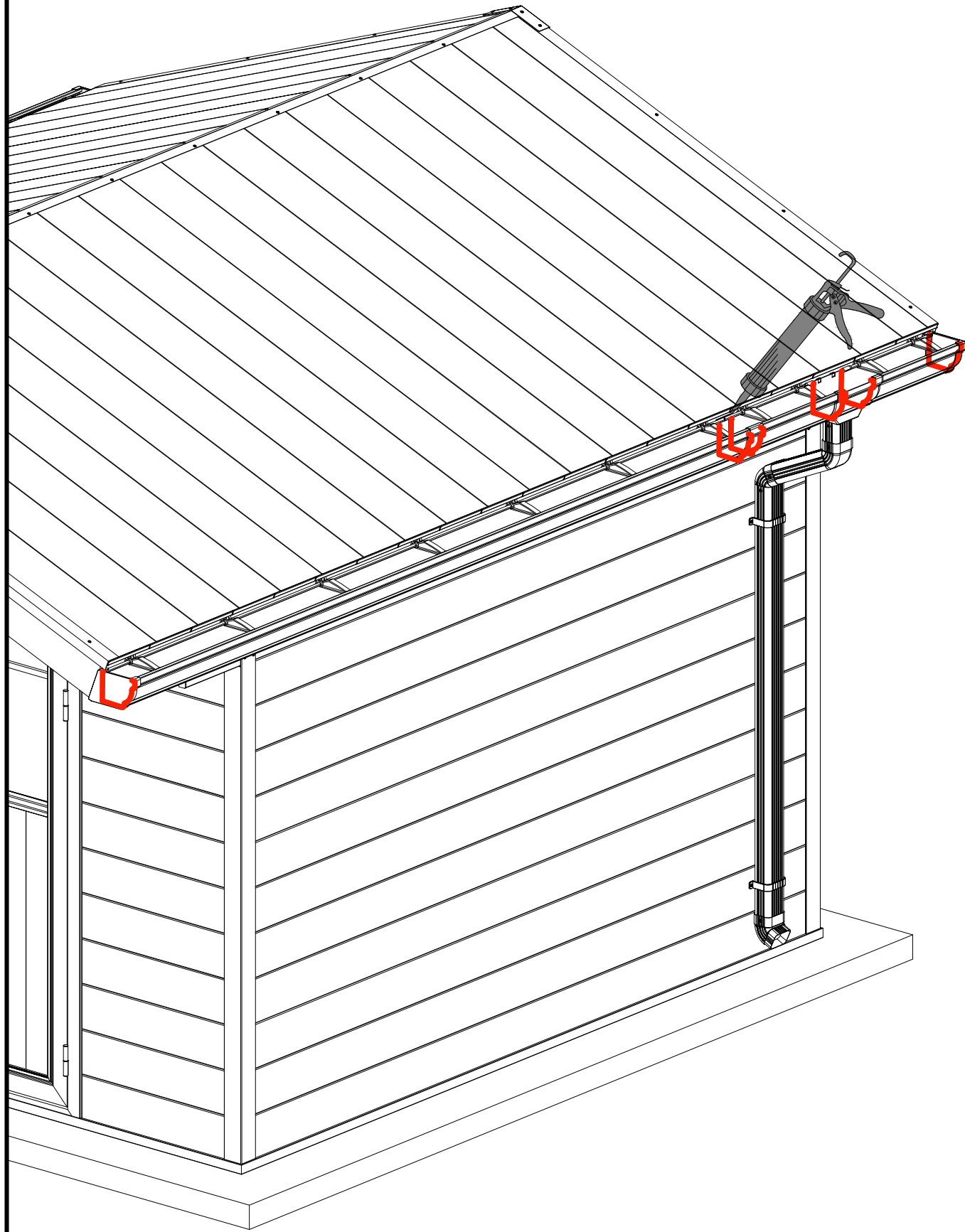
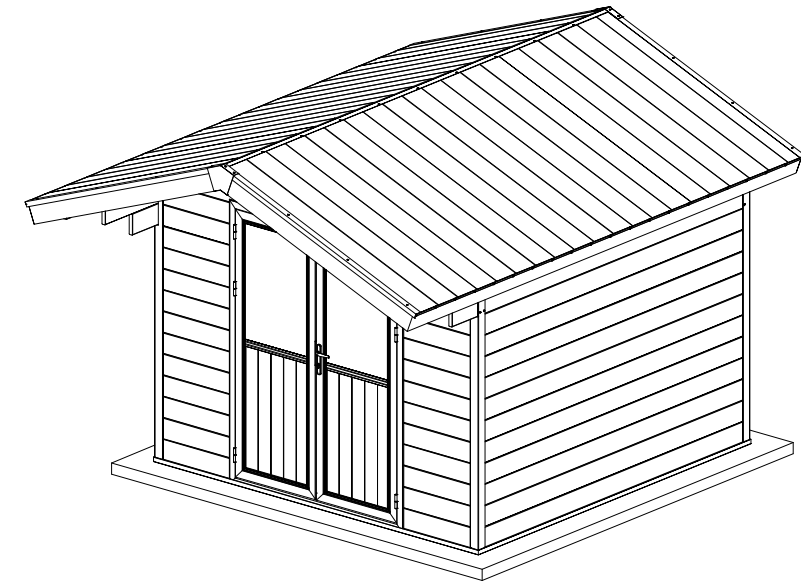


Structural adhesive (not included)



WPC GARDEN SHEDS INSTALLATION MANUAL FOR H039

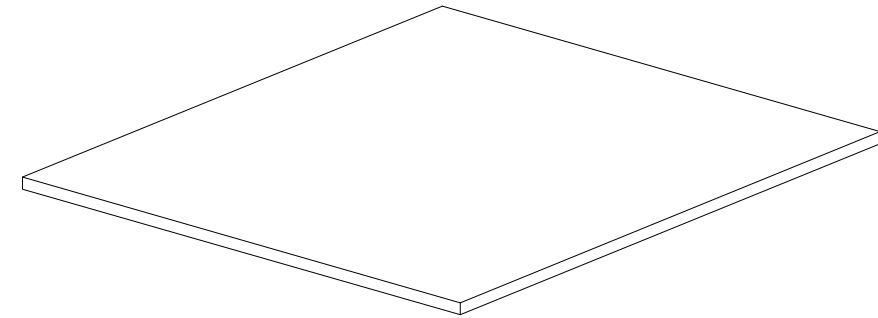


APPEARANCE & SIZE :

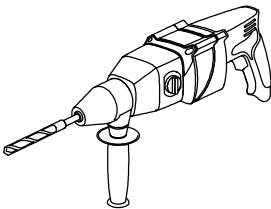
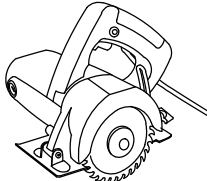
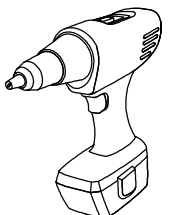
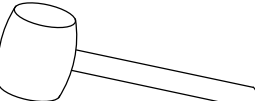
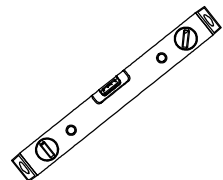
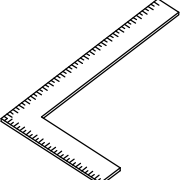
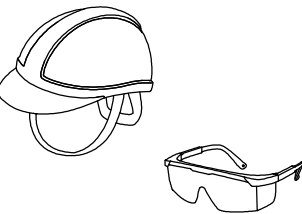
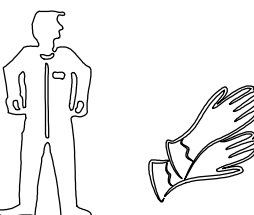
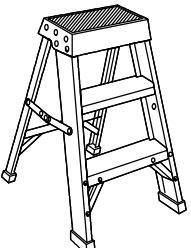


Installation Requirement :

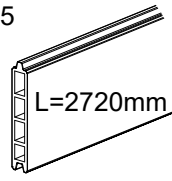
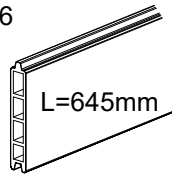
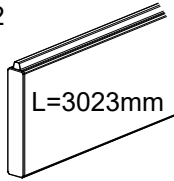
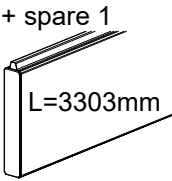
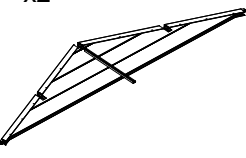
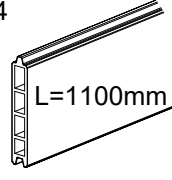
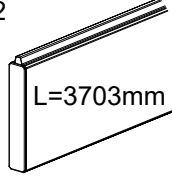
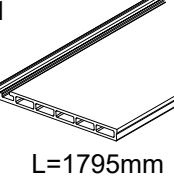
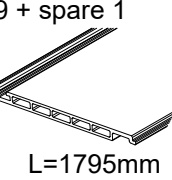
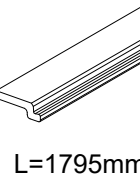
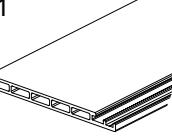
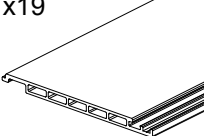
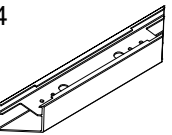




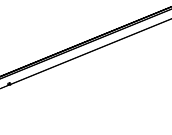
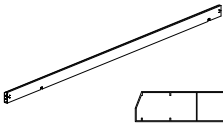
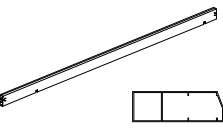
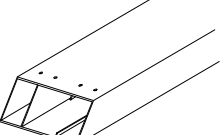
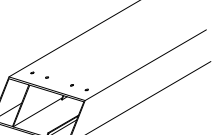
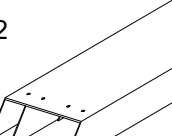
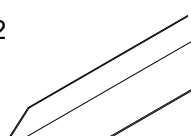


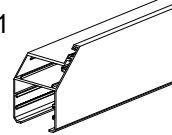
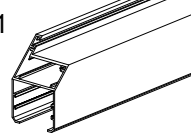
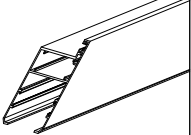
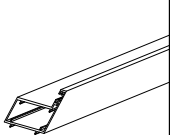
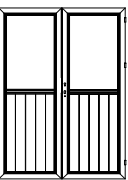
When do the assembling of a garden shed, a hard and flat ground without slope is needed. Please also make sure that the installation site has a good ventilation and drainage condition.



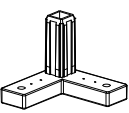
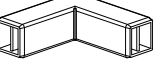
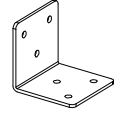
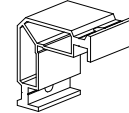

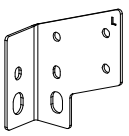
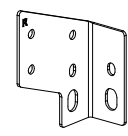
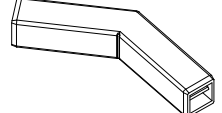
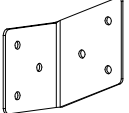
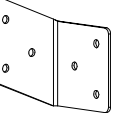
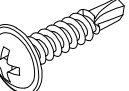
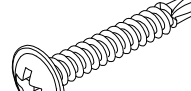
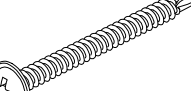
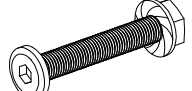
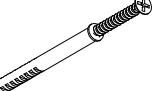

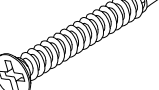
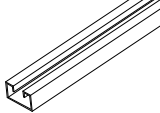

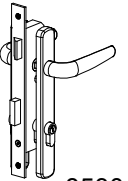
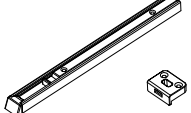
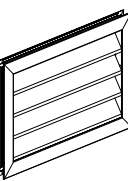
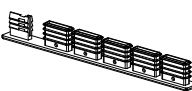
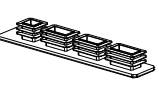

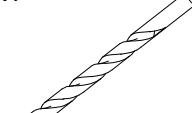
When dealing with any type of construction project, it is necessary to wear appropriate safety equipment to avoid any risk of injuries. We recommend but not only limited to the following safety equipment when handling, cutting, and installation : gloves, eye protector, respirator, long sleeves and pants.

<p>Impact electric drill</p> 	<p>Cutting machine</p> 	<p>Electric screwdriver</p> 
<p>Tape & Hammer</p> 	<p>Levelling Instrument</p> 	<p>L-square</p> 
<p>Safety helmet & Goggles</p> 	<p>Work clothes, gloves & protective shoes</p> 	<p>Ladder</p> 

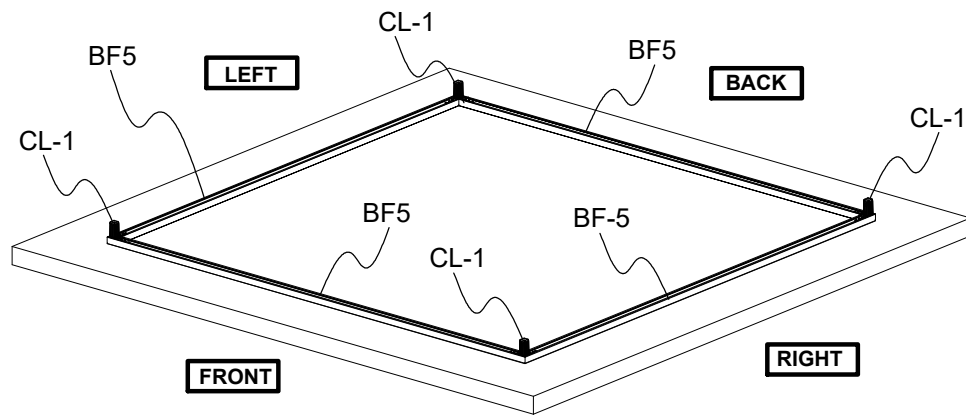
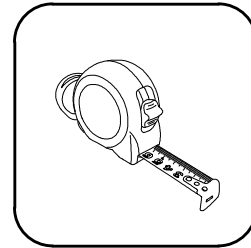
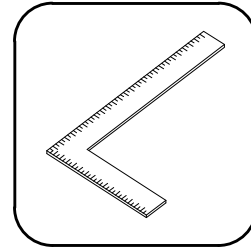
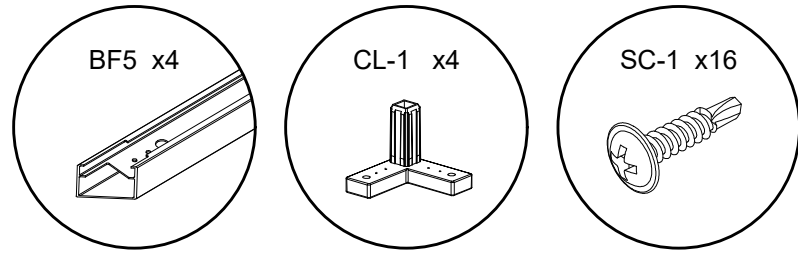
List of components

WP11 x35  L=2720mm	WP12 x26  L=645mm	WP21 x2  L=3023mm	WP22 x2 + spare 1  L=3303mm	WP23 x2 
WP69 x4  L=1100mm	AP22 x2  L=3703mm	TP10R x1  L=1795mm	TP11R x19 + spare 1  L=1795mm	TP12 x2  L=1795mm
TP10L x1  L=1795mm	TP11L x19  L=1795mm			
BF5 x4  L=2805mm	MF31 x1 	MF32 x1 	MF13 x1 	MF14 x1 
TF92 x1  L=3920mm	TF93 x1  L=3920mm	TF94 x1  L=3920mm	TF23 x2 	TF24 x2 
TF95 x2  L=4000mm	TF26 x2 	TF27 x2 	TF96 x1  L=4003mm	
DF1 x1  L=1965mm	DF2 x1  L=1965mm	DF3 x1  L=1500mm	DF4 x1  L=1430mm	DP-6 x1 

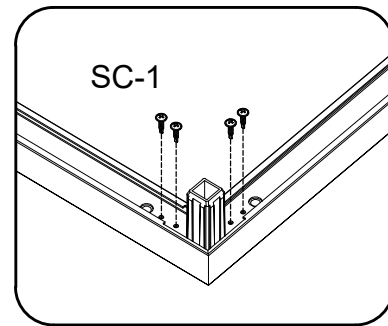
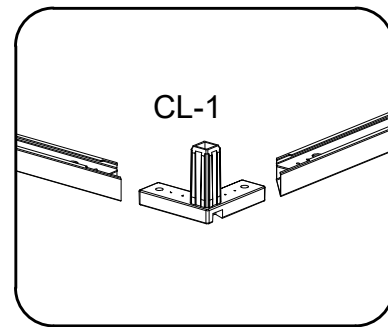
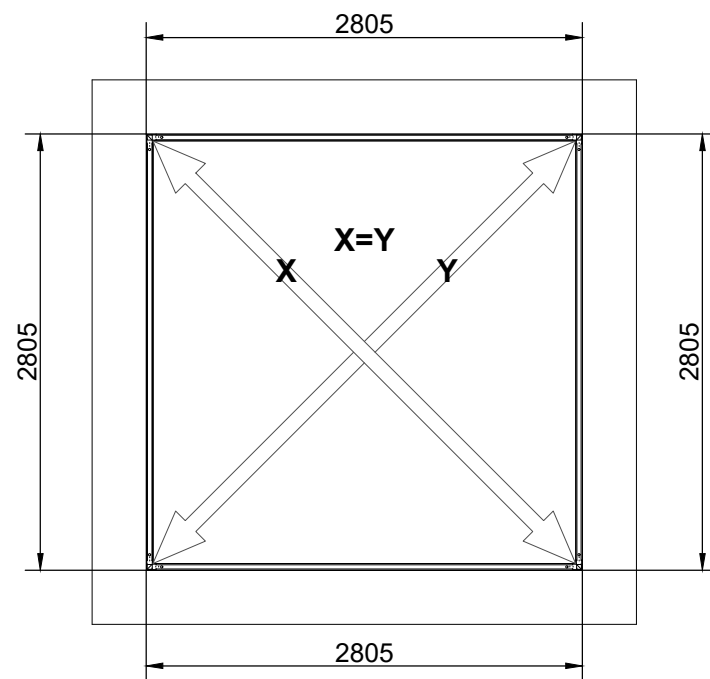
List of components

CL-1 x4 	CL-3 x8 	CL-4 x16 + spare 2 	CL-8 x4 	CL-9 x4 + spare 2 
CL-10 x2 	CL-11 x2 	CL-12 x4 	CL-4L x6 	CL-4R x6 
SC-1 x472 + spare 128  M4.2x19mm	SC-2 x38 + spare 4  M4.2x30mm	SC-12 x12 + spare 4  M4.8x50mm	SC-4 x24 + spare 4  M6x45mm	SC-5 x8 + spare 2  Ø8x80mm
SC-7 x8 + spare 2  M6	SC-8 x8 + spare 2  M4.2x30mm	OT-1 x2 	OT-8 x2 	
SU-6 x1  8530	SU-2 x2 	WD5 x1 		
other spare parts x5 	other spare parts x2 	Drill 1 x1  Ø2.8	Drill 2 x1  Ø7	

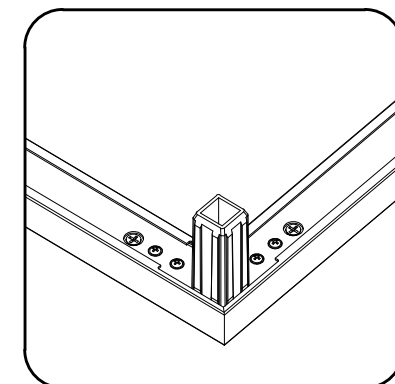
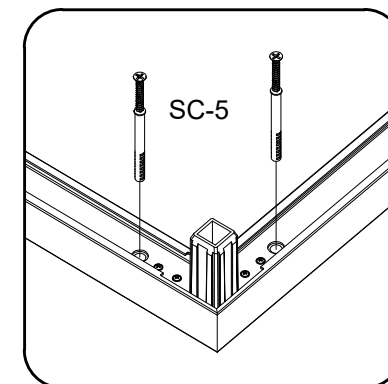
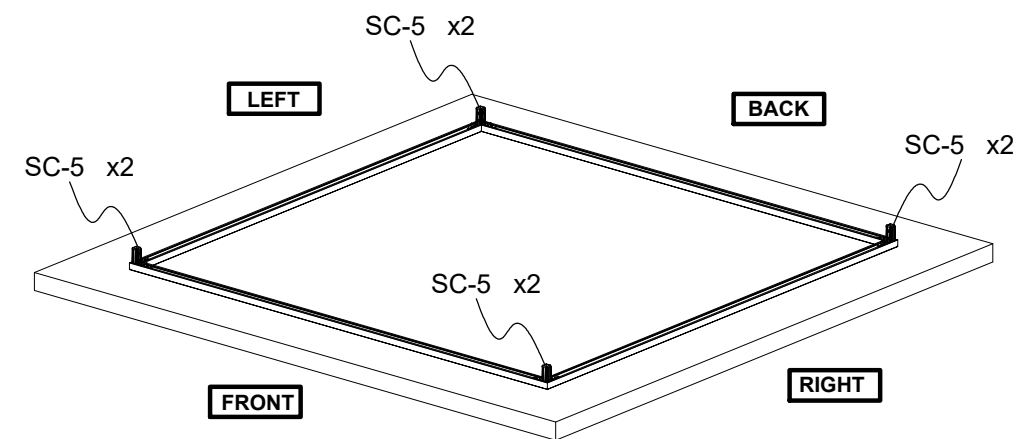
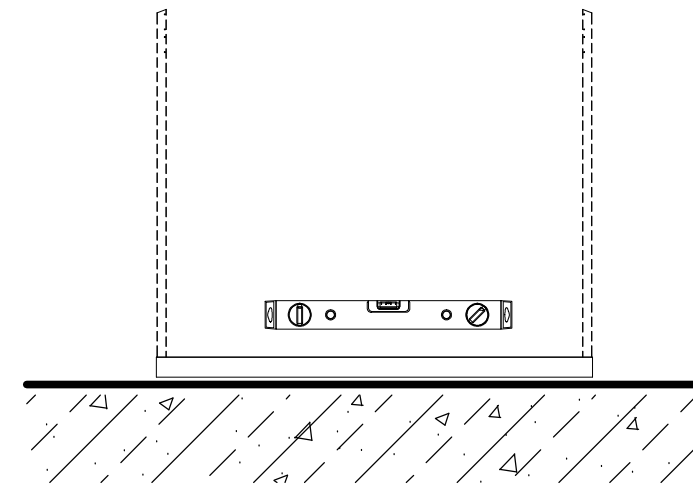
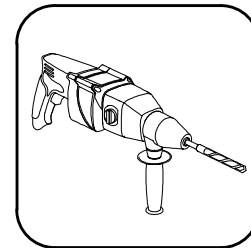
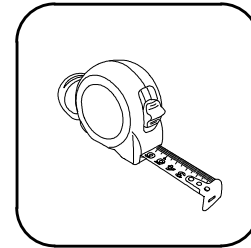
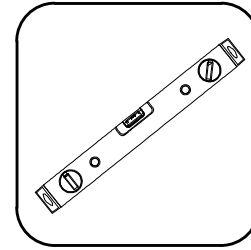
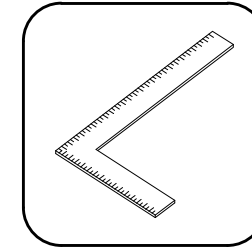
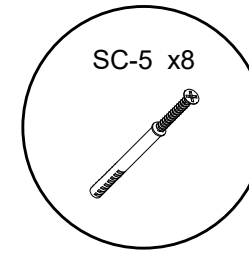
STEP 1 :



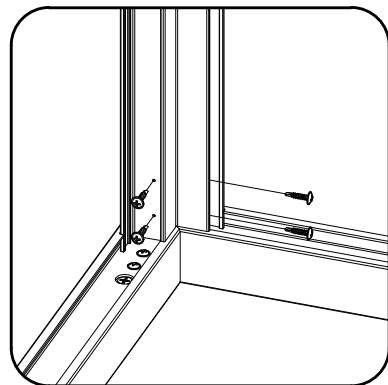
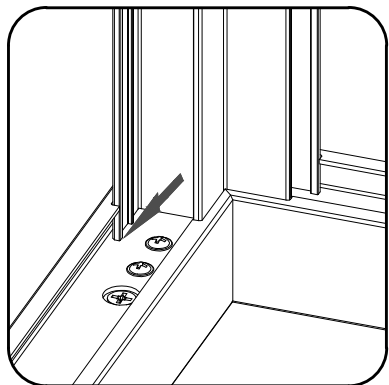
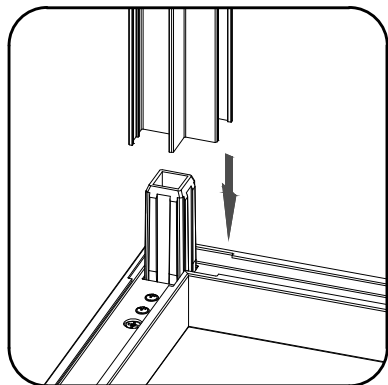
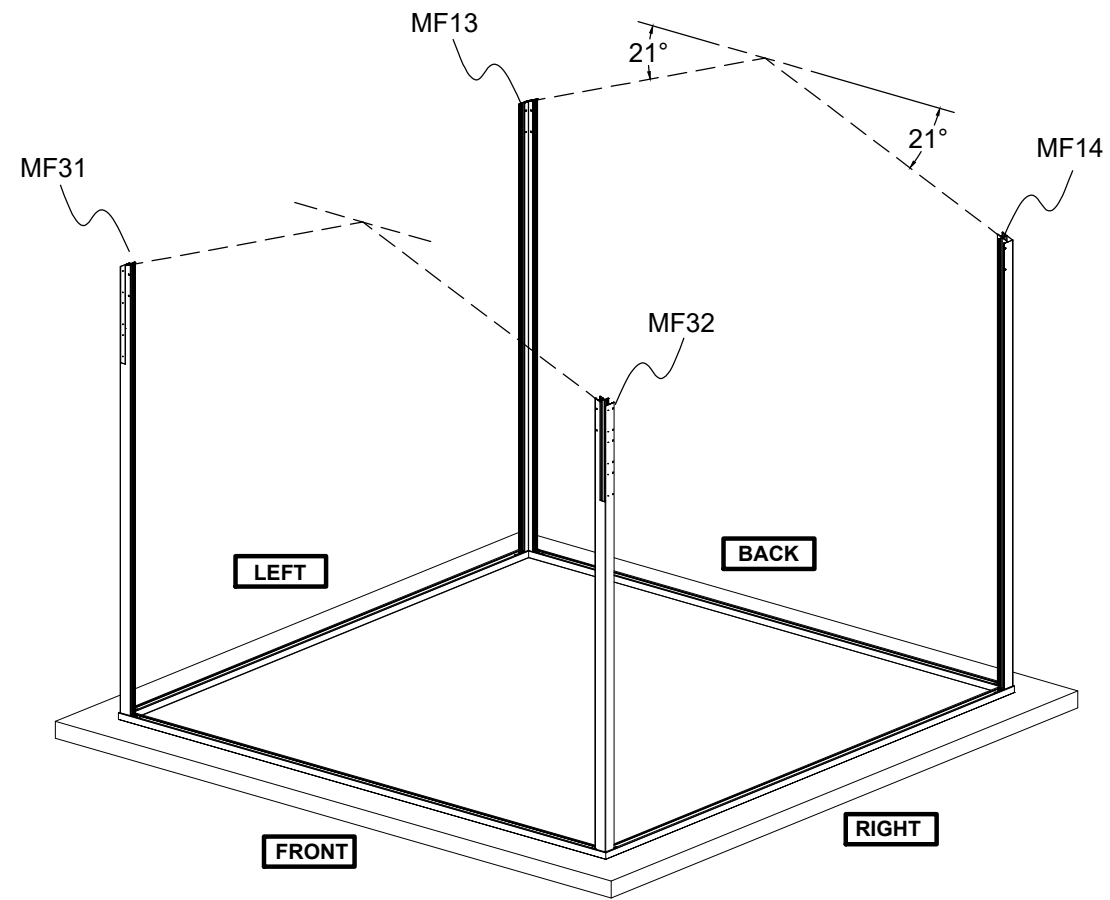
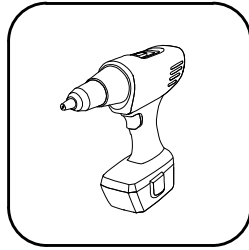
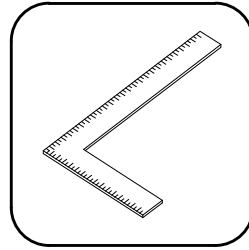
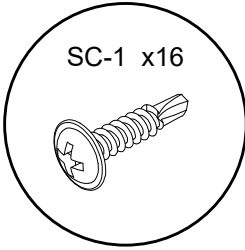
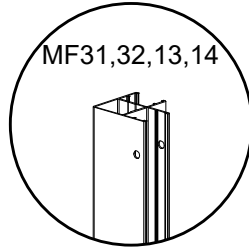
Dimension:



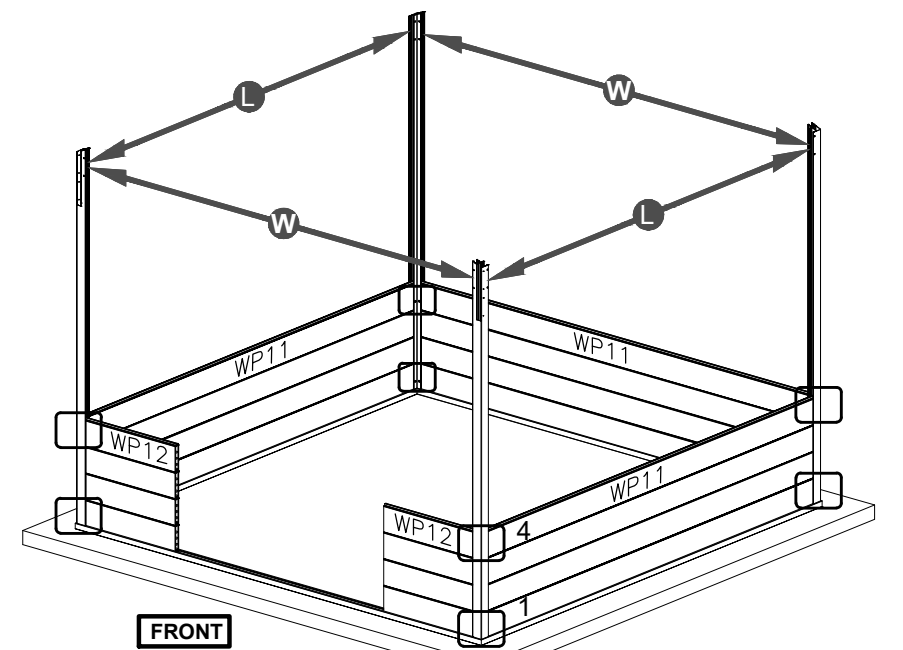
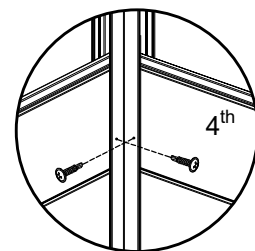
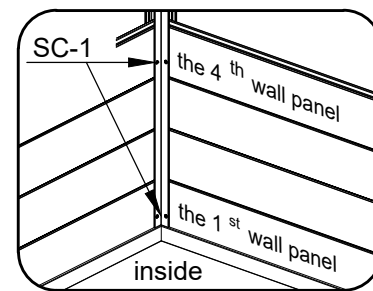
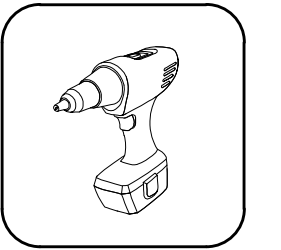
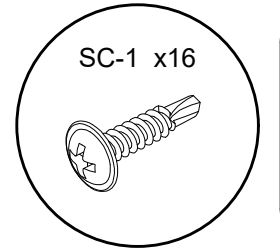
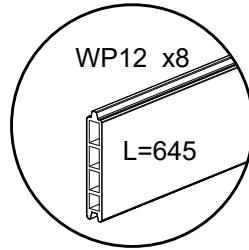
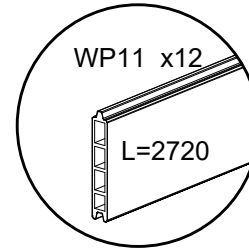
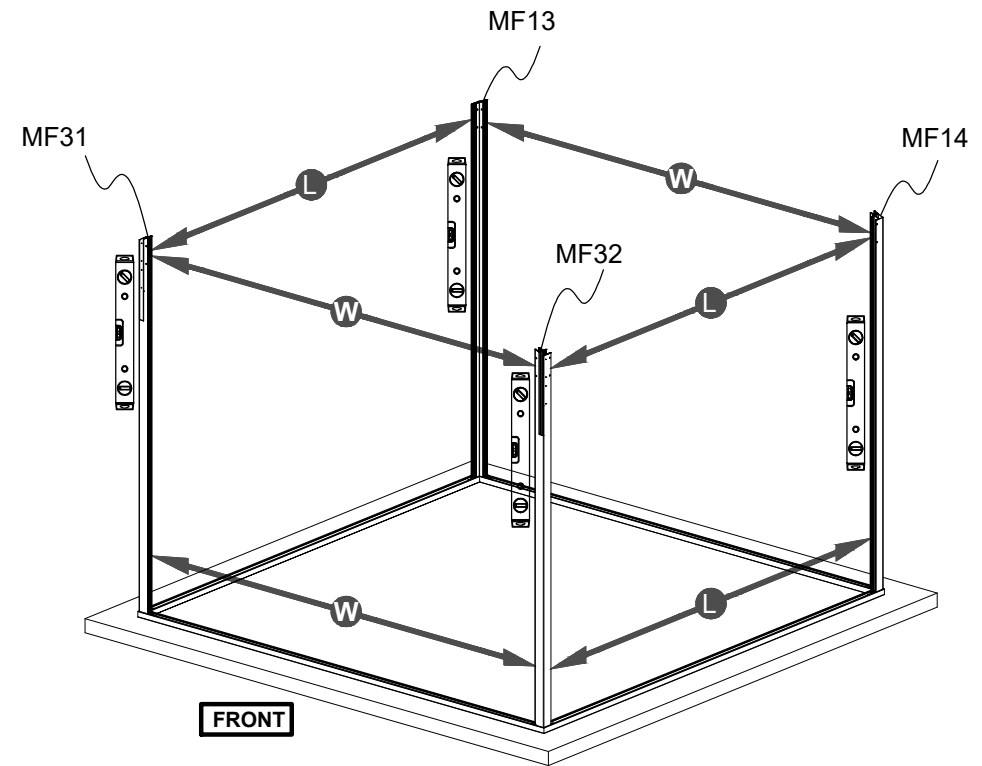
STEP 2 : Expansion screws



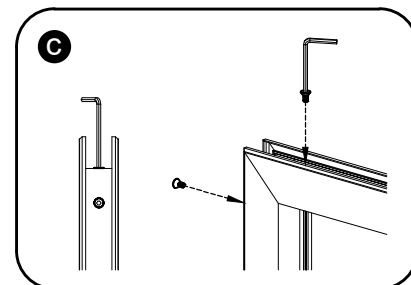
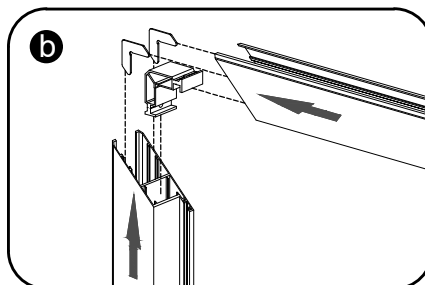
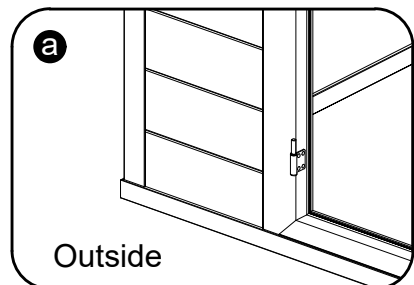
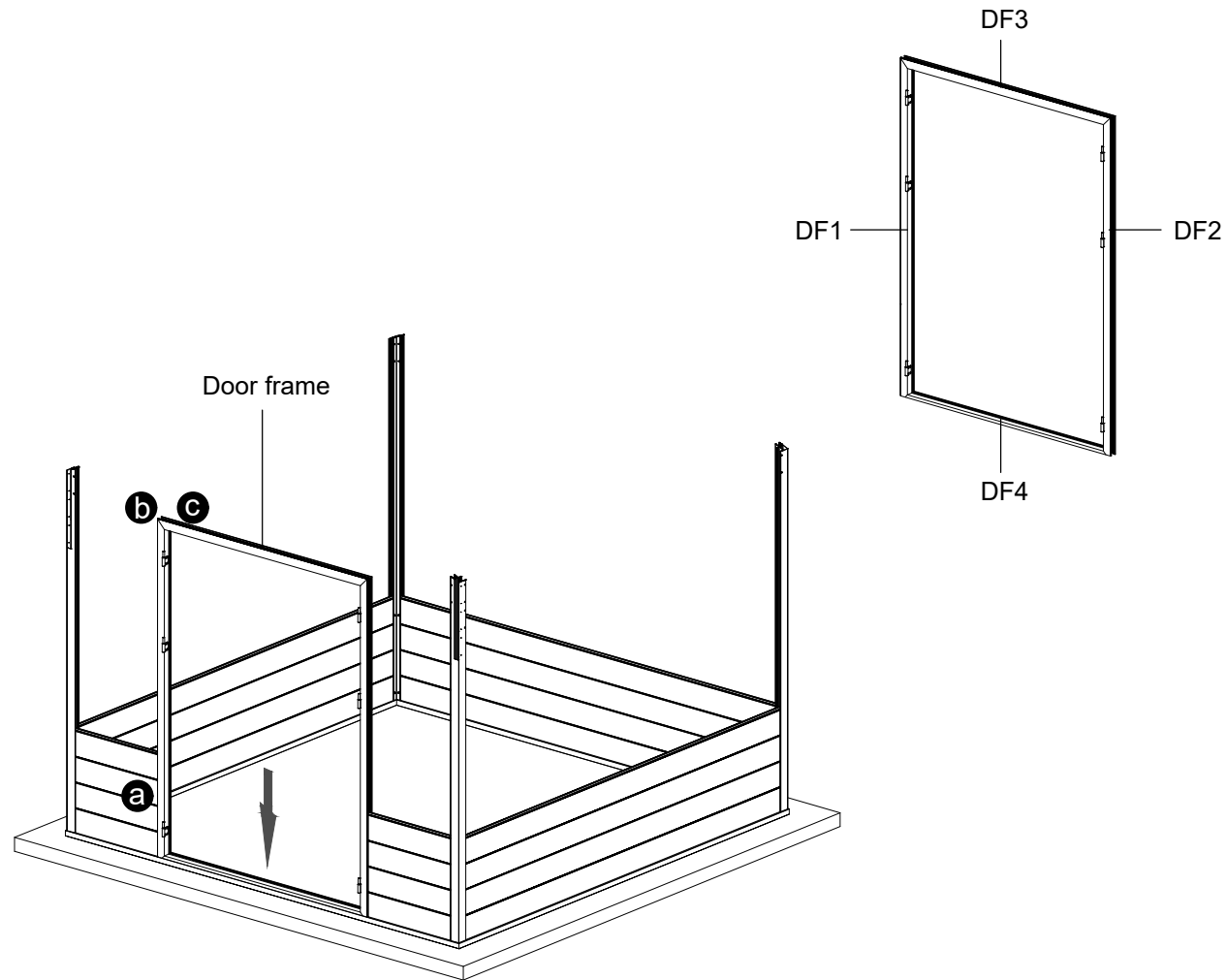
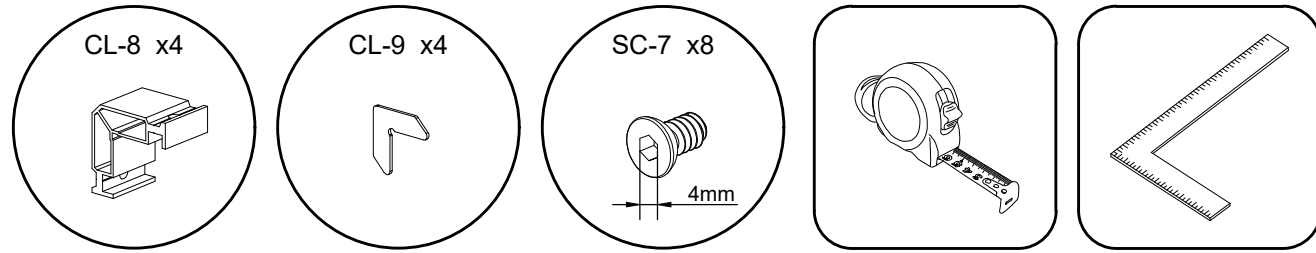
STEP 3 :



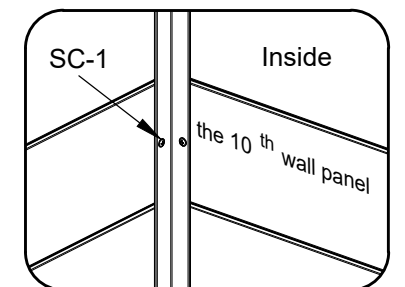
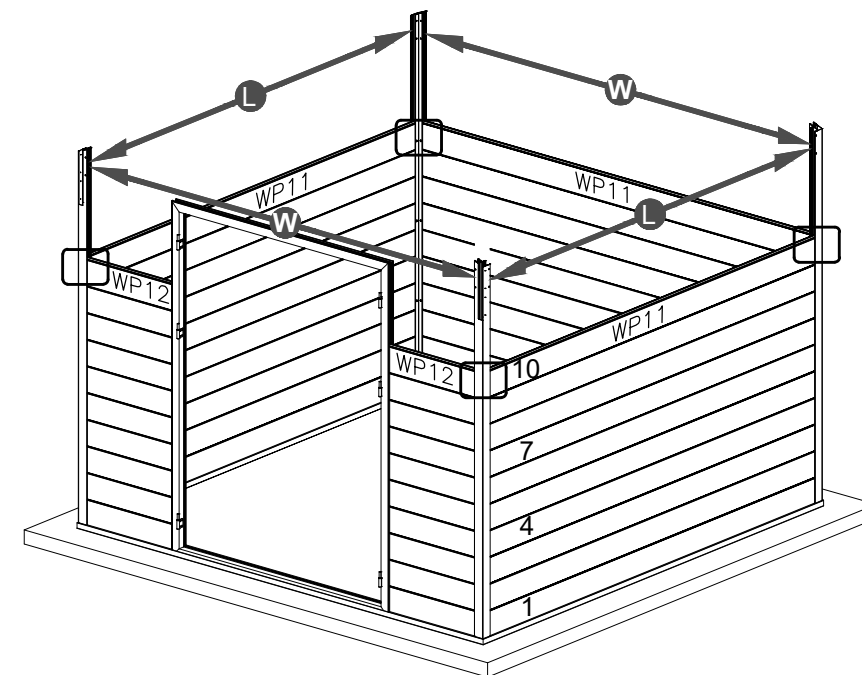
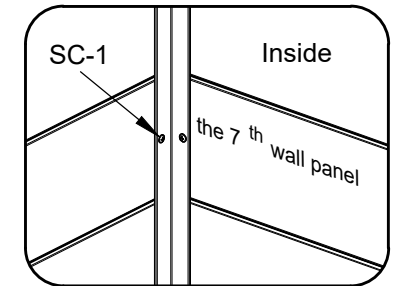
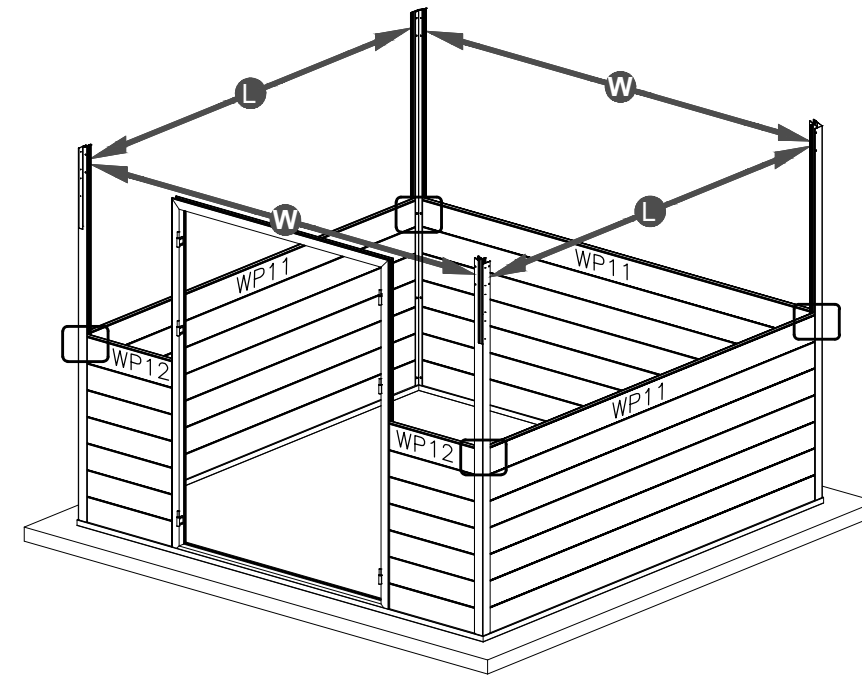
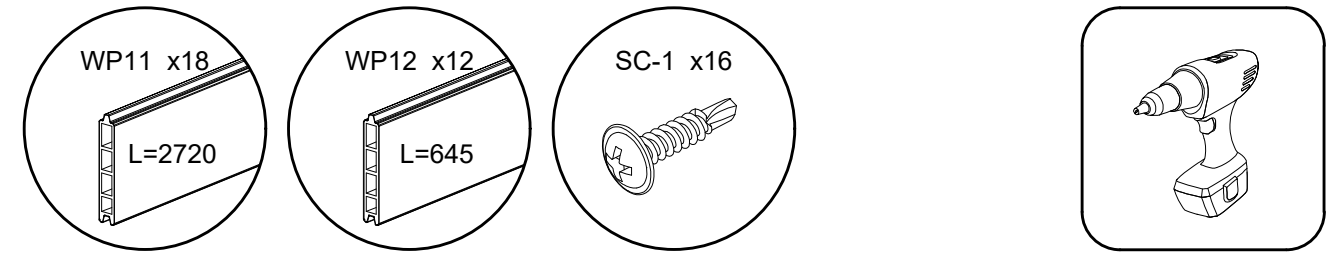
STEP 4 :



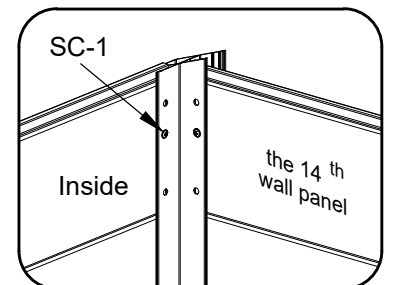
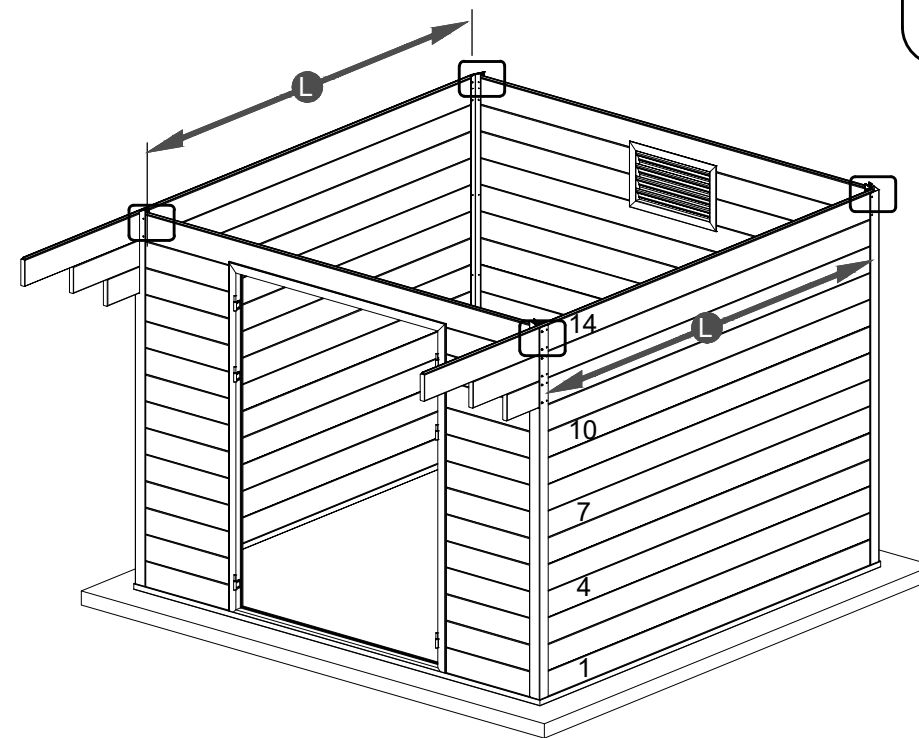
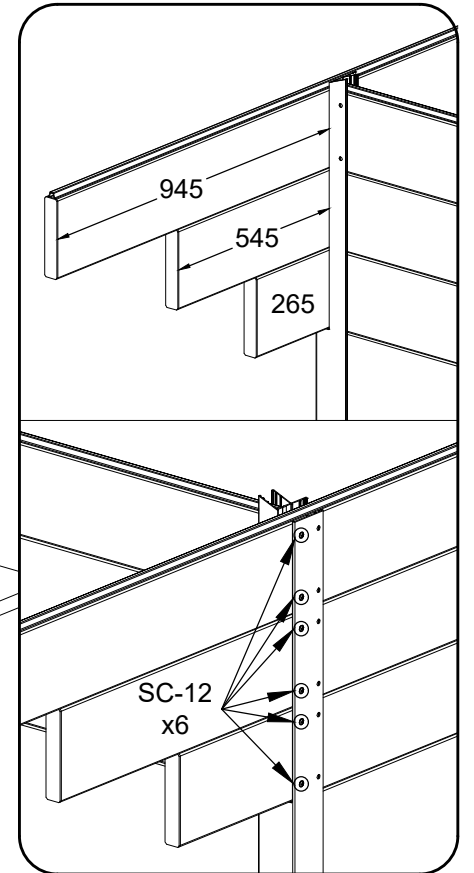
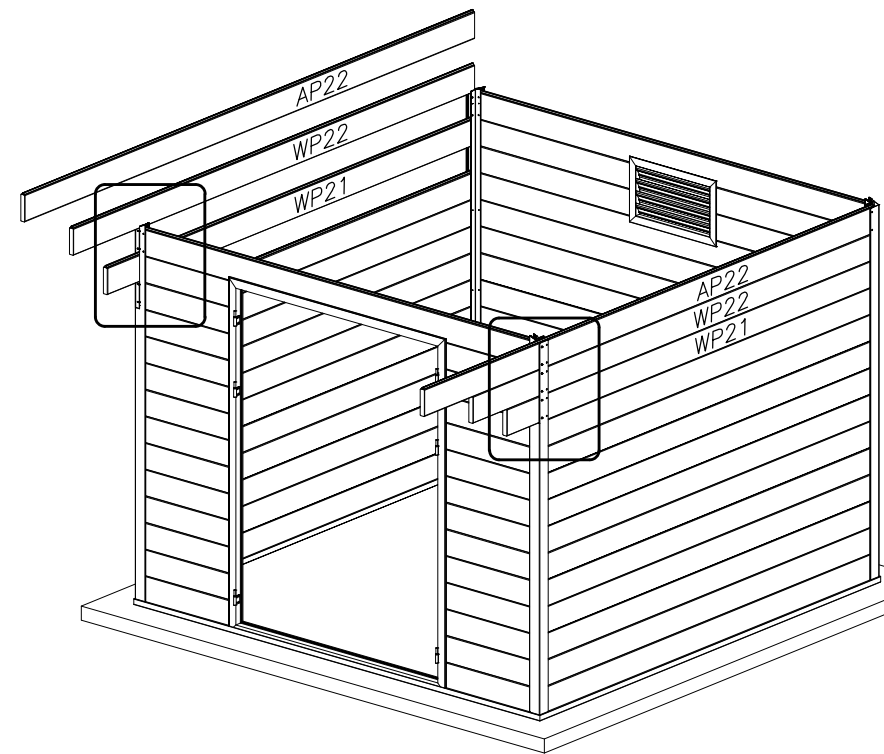
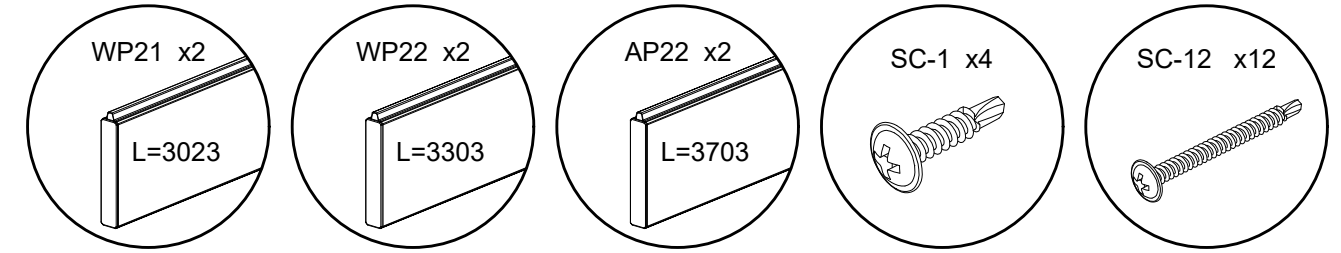
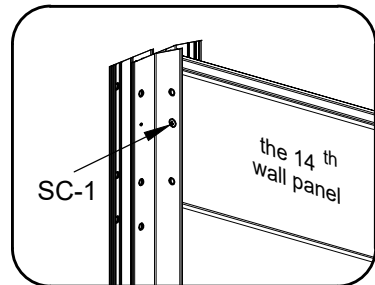
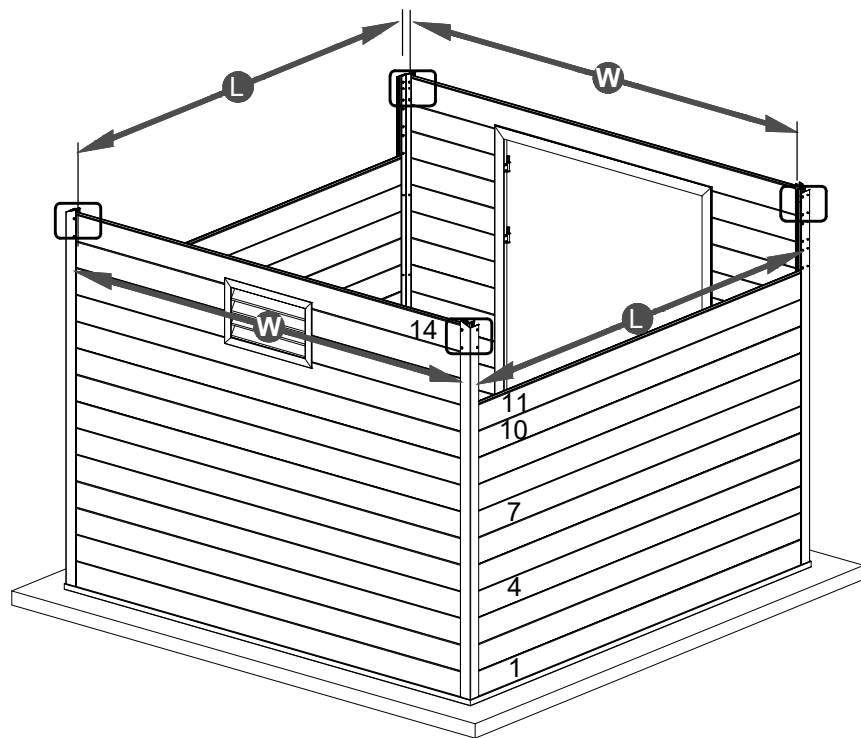
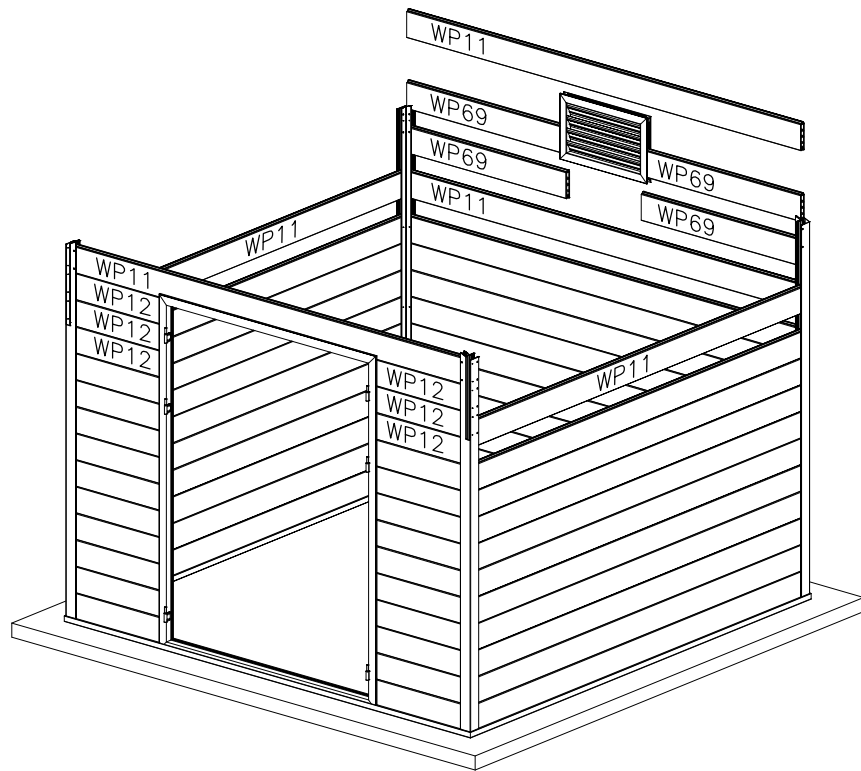
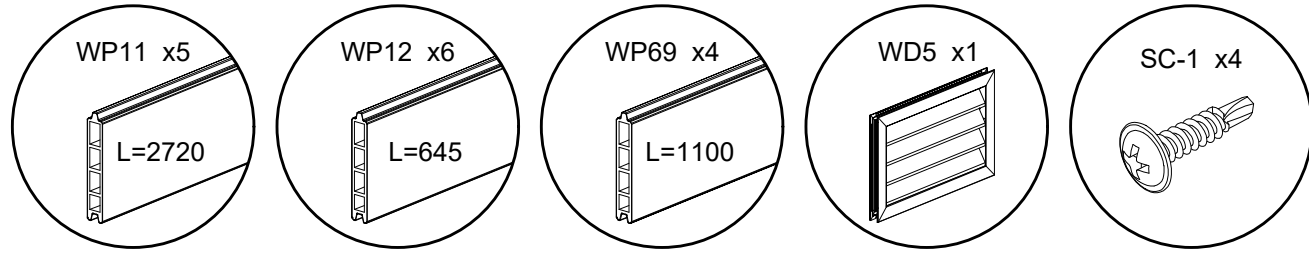
STEP 5 :



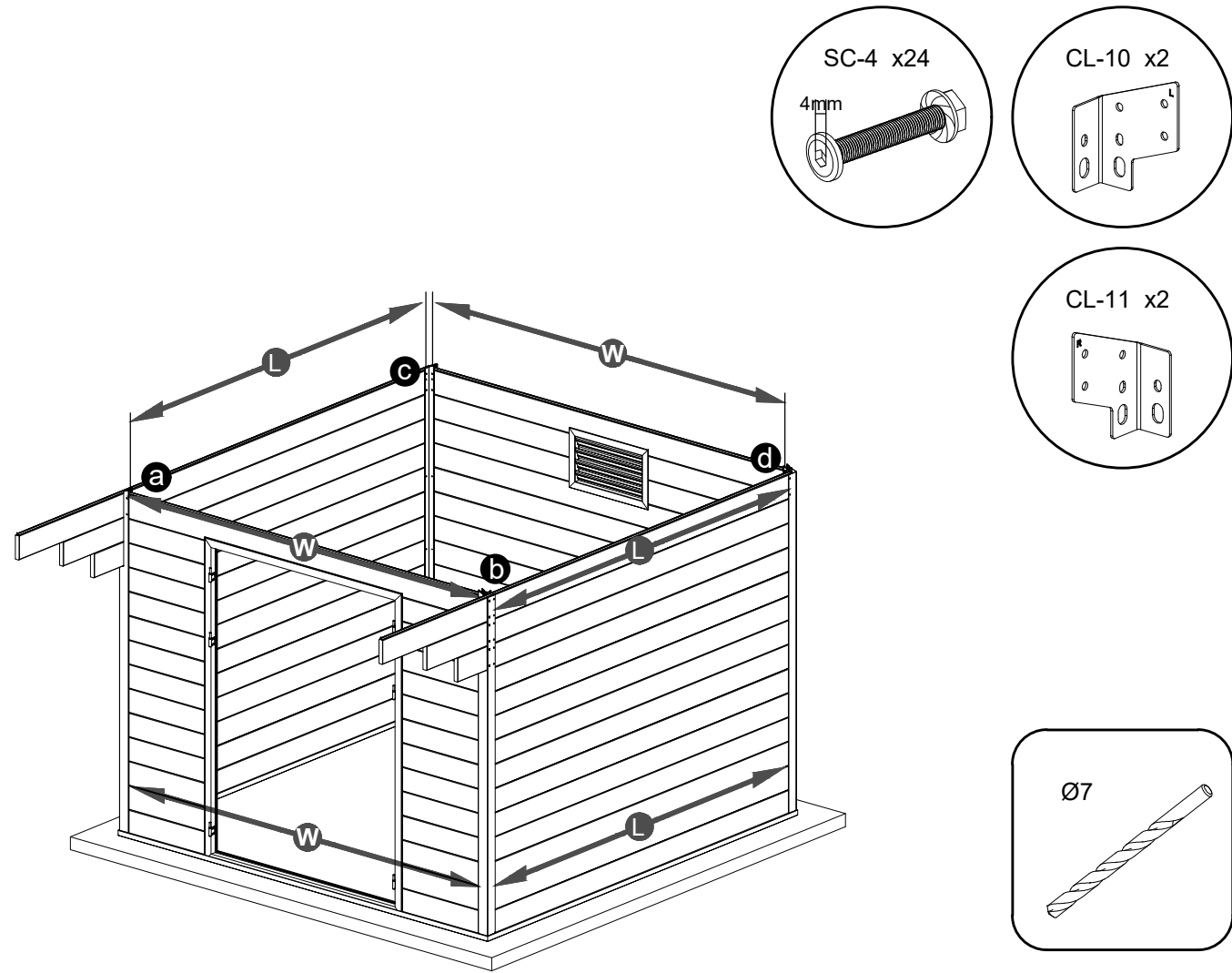
STEP 6 :



STEP 7 :

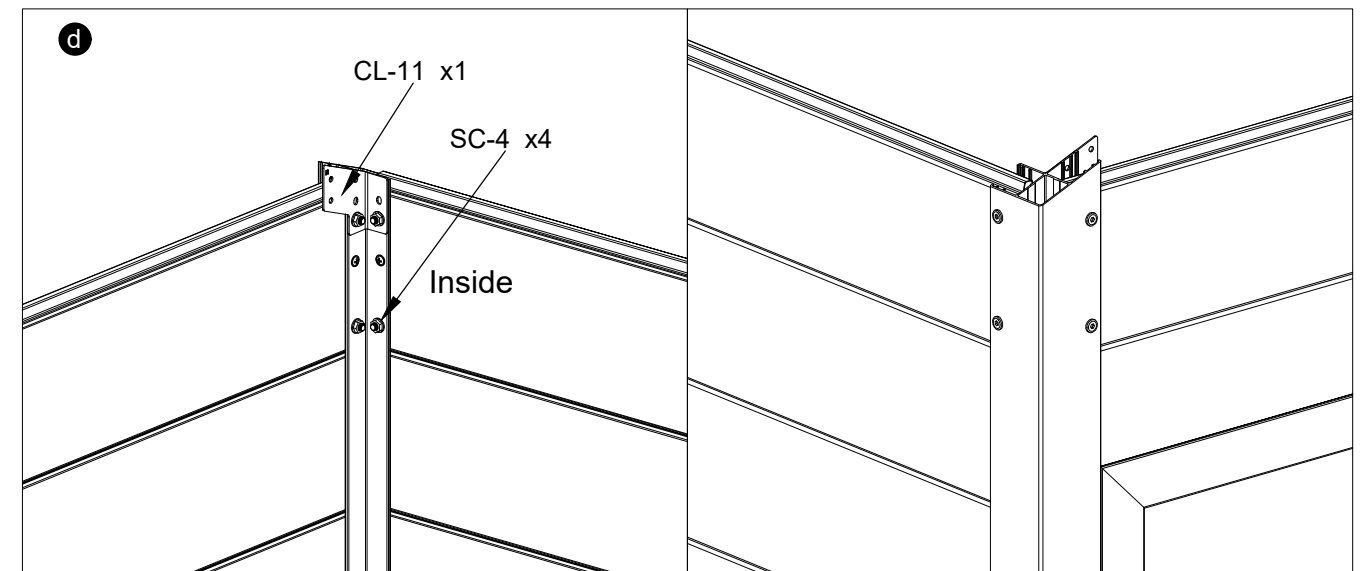
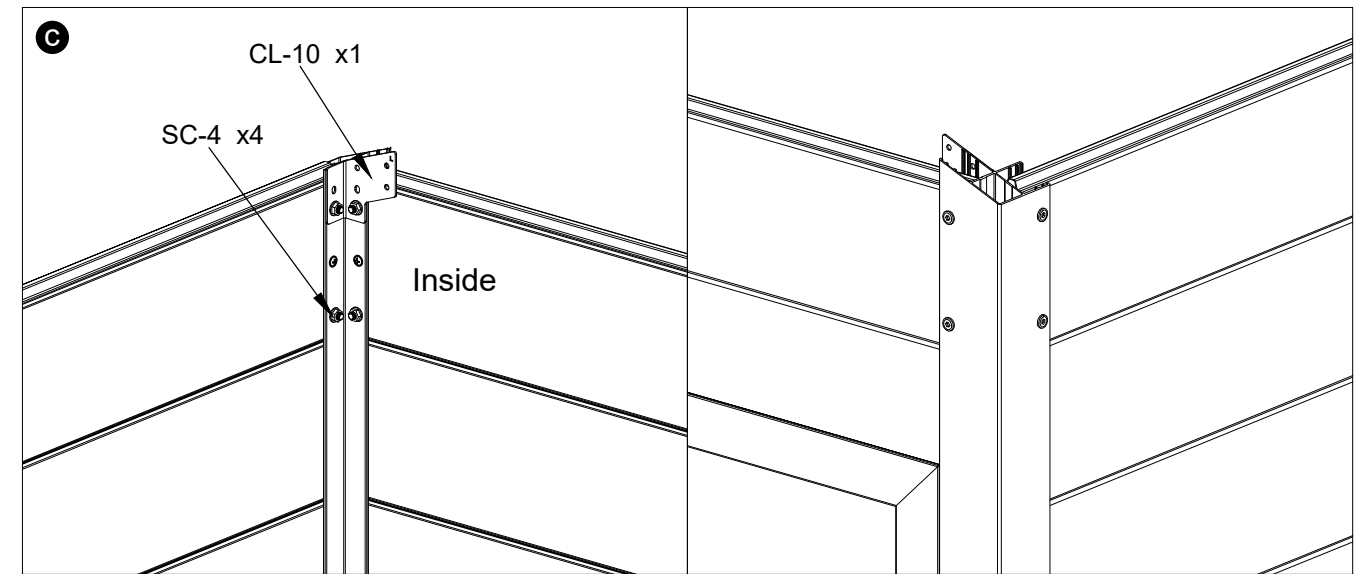
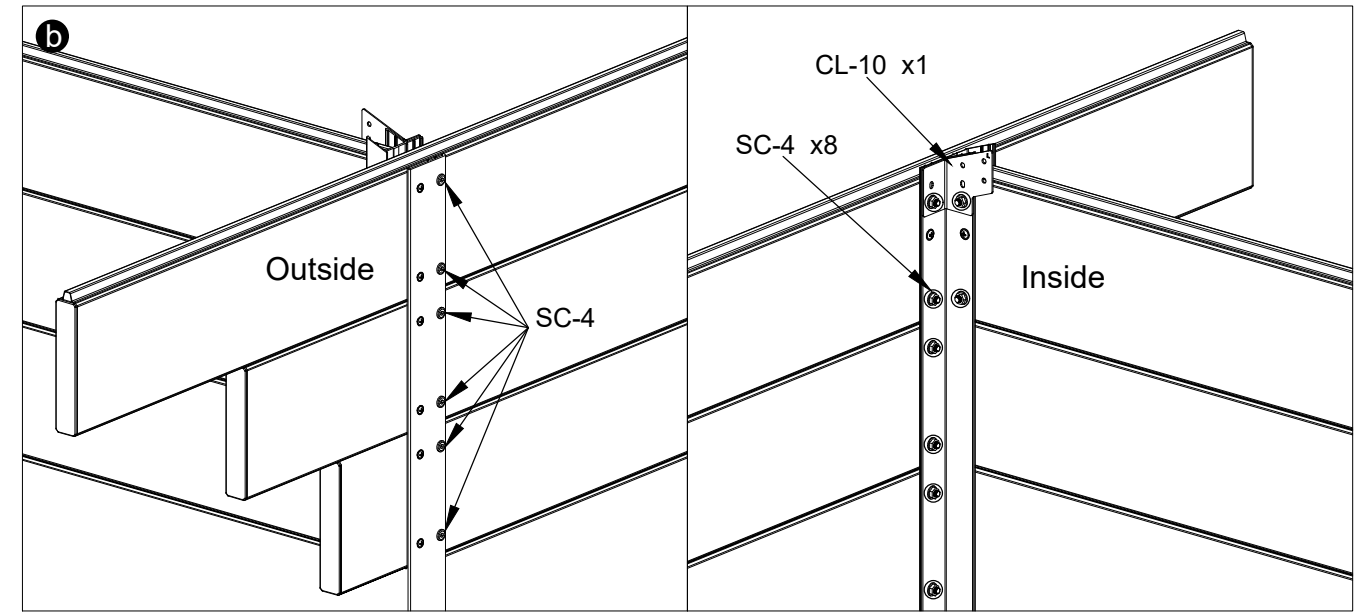
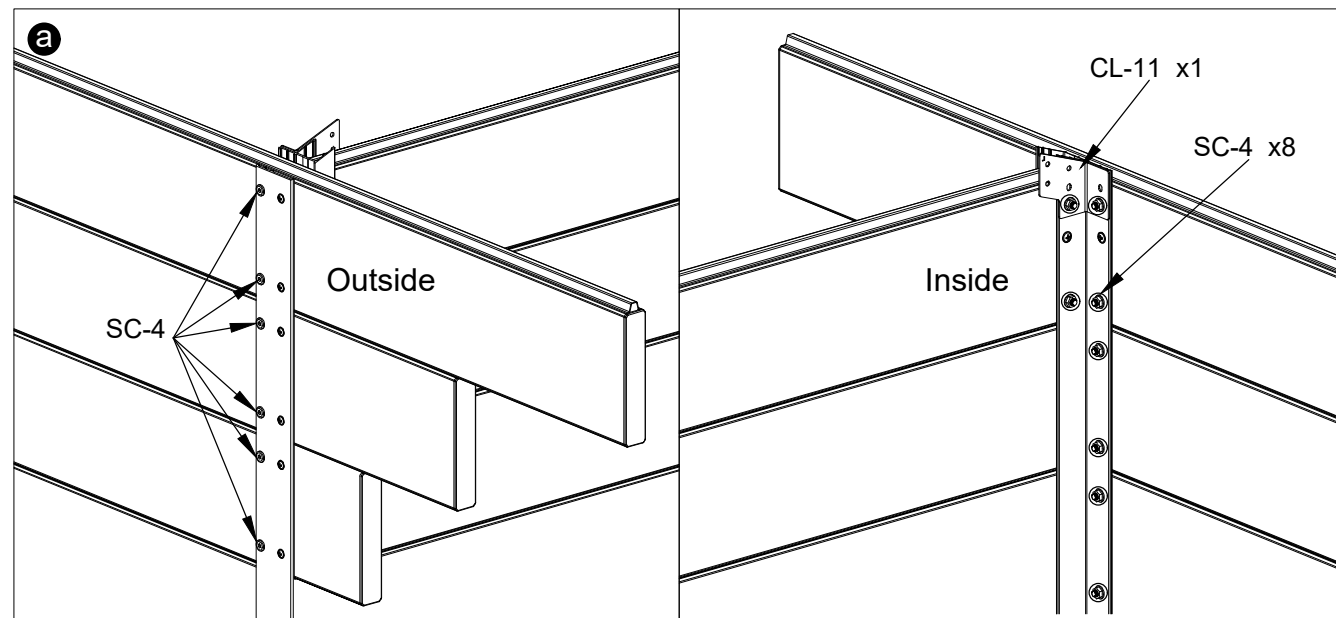


STEP 8 :

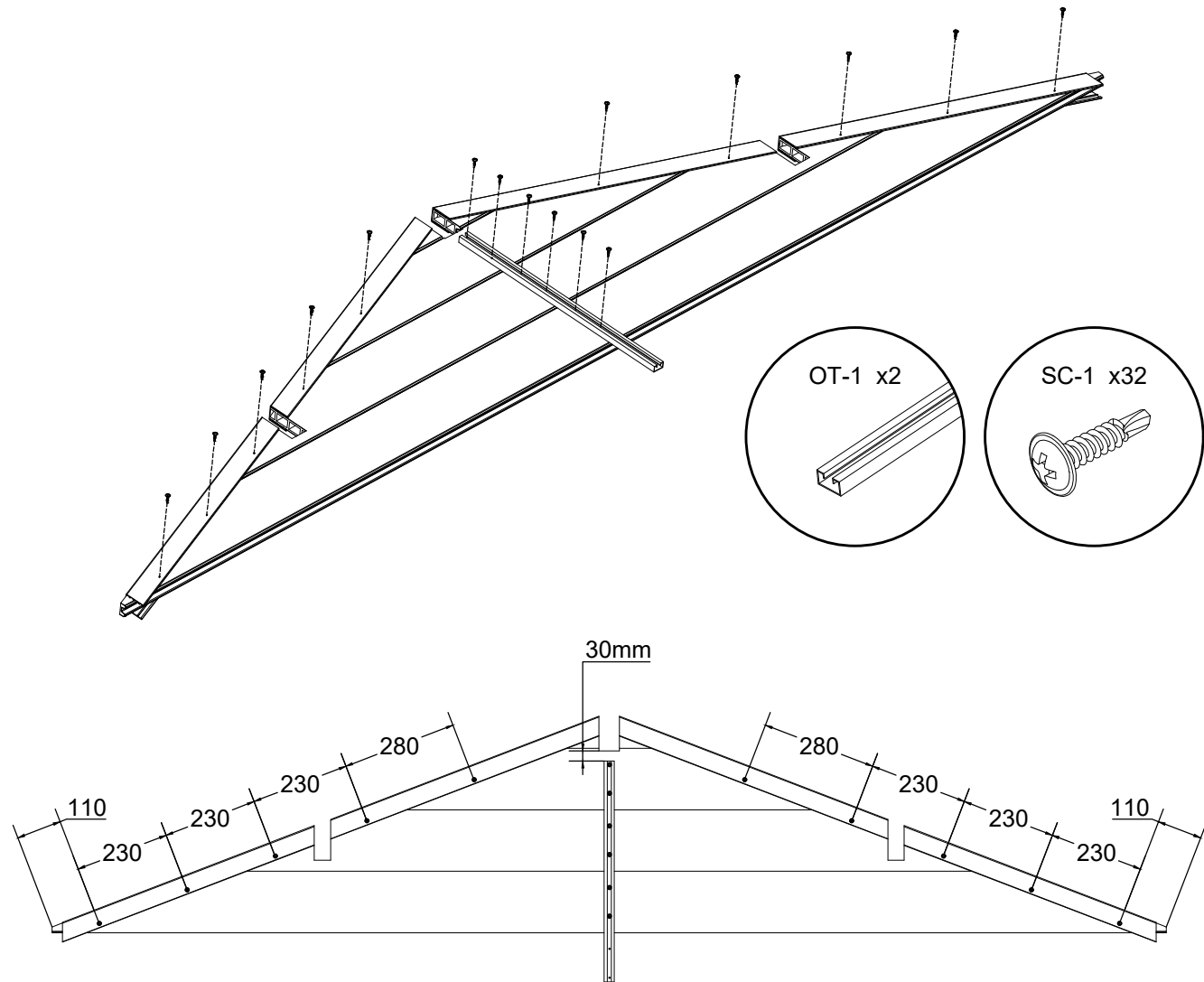
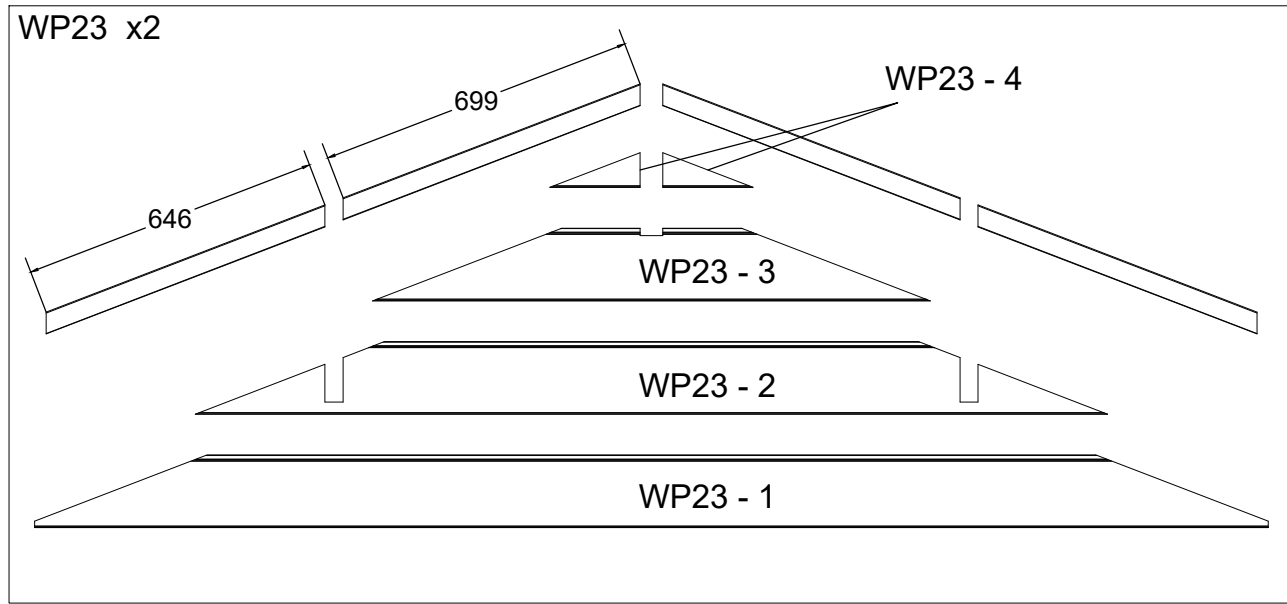


Please pre-drill holes first for SC-4

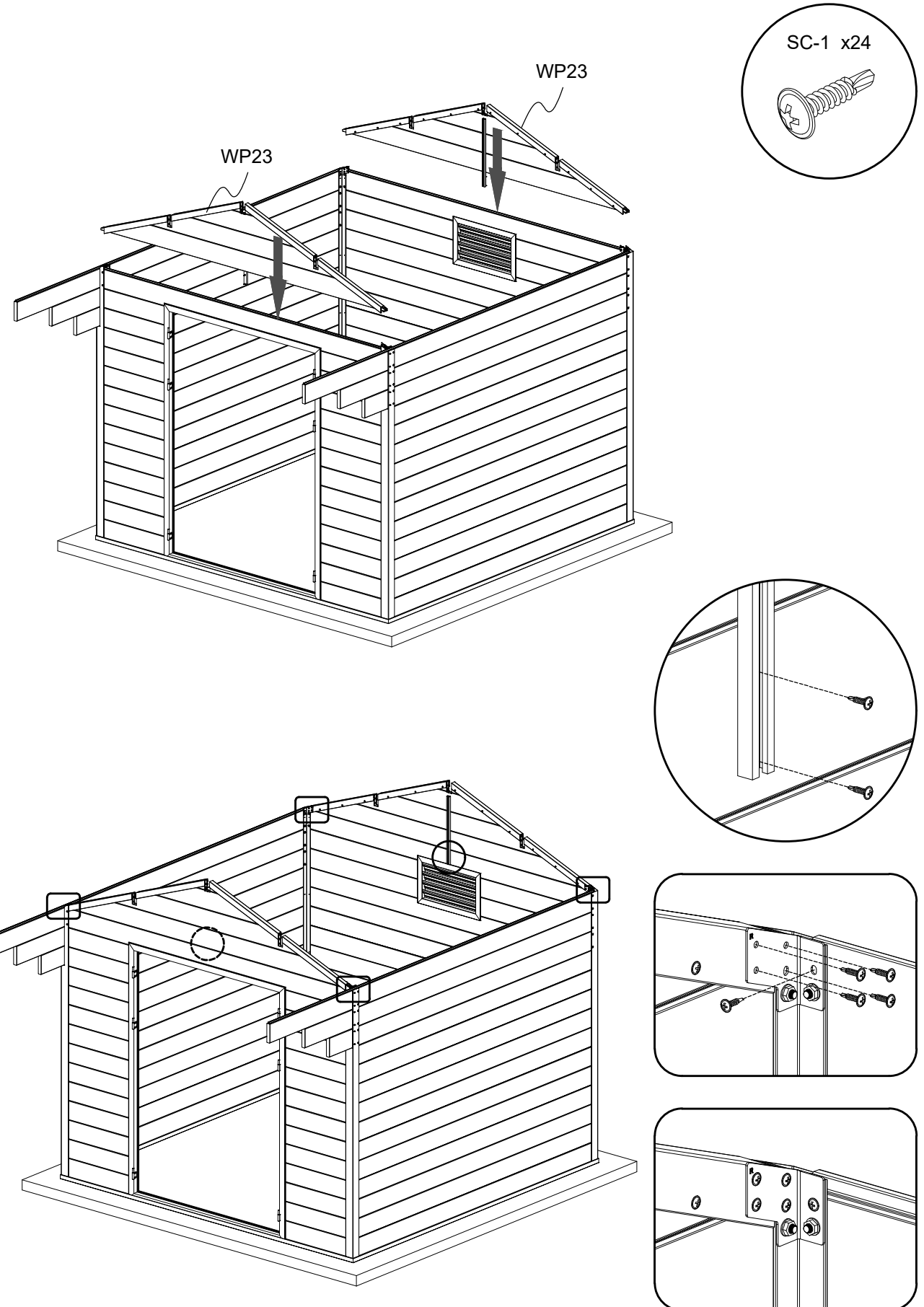
DETAIL :



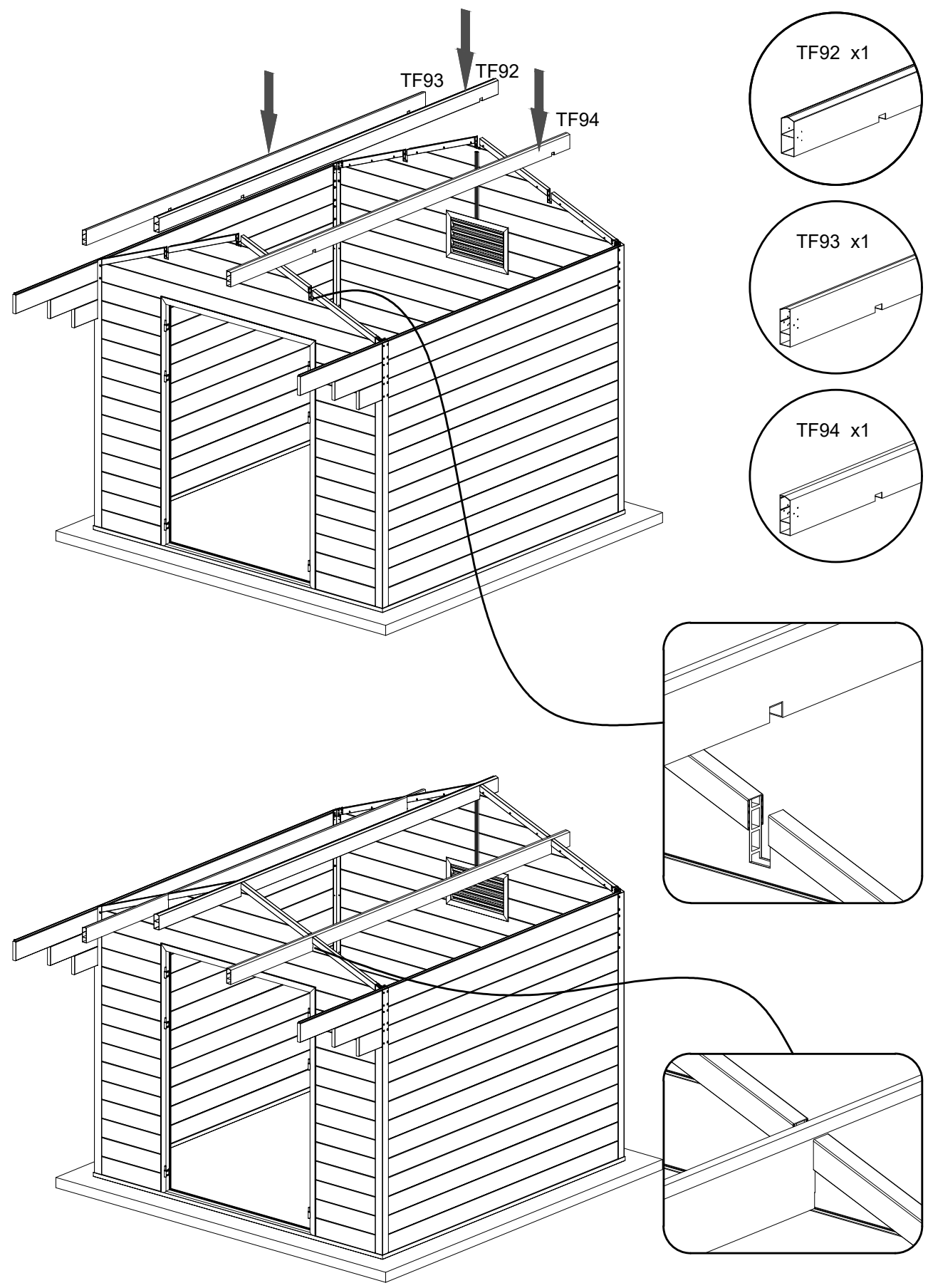
STEP 9 :



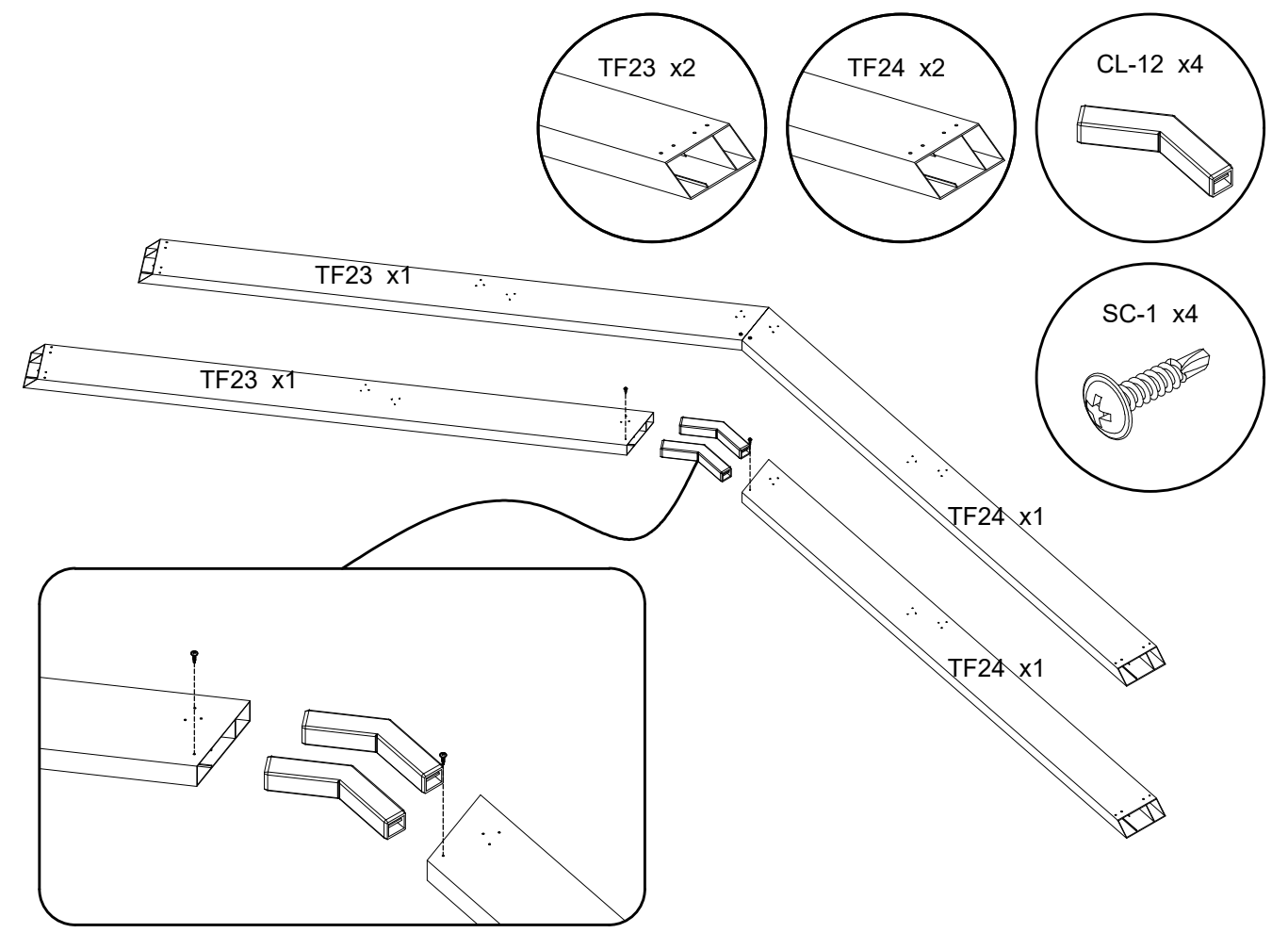
STEP 10 :



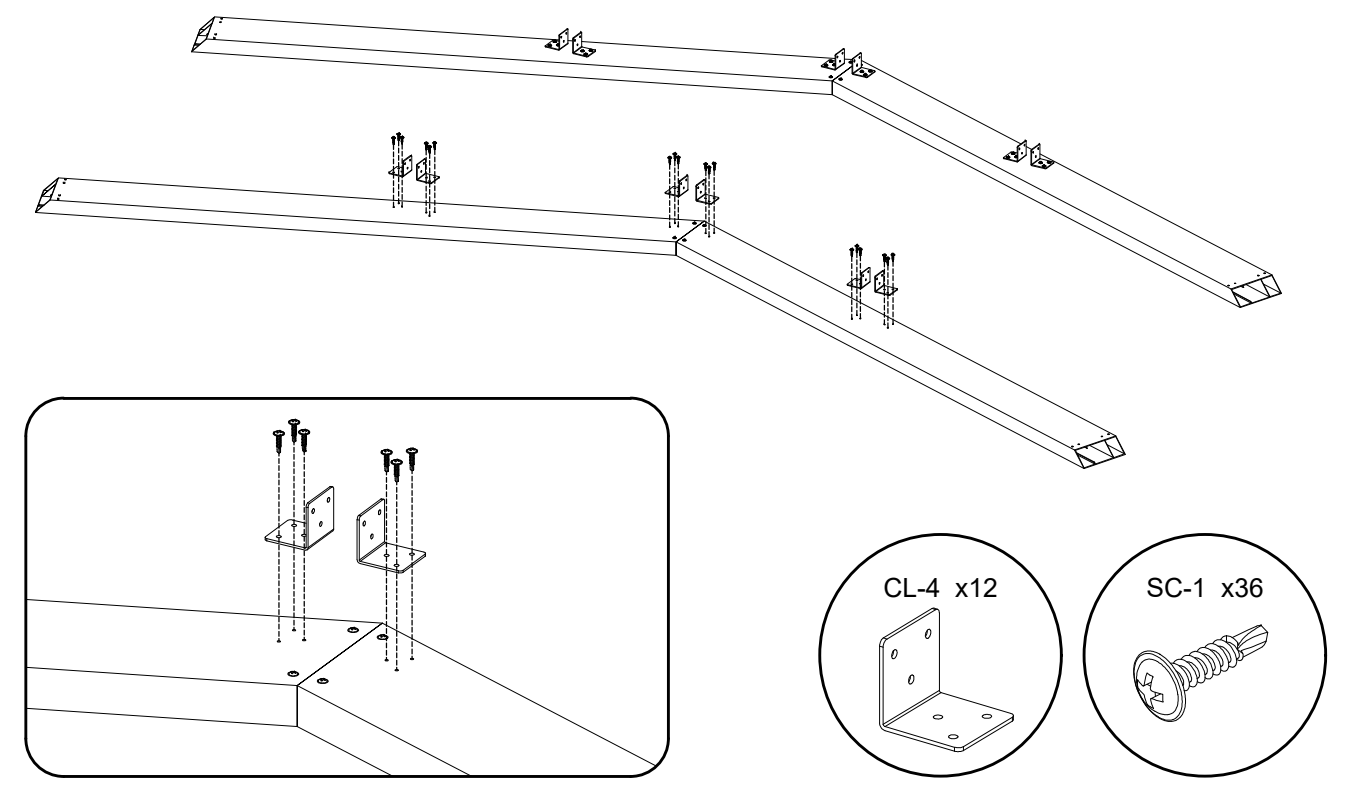
STEP 11 :



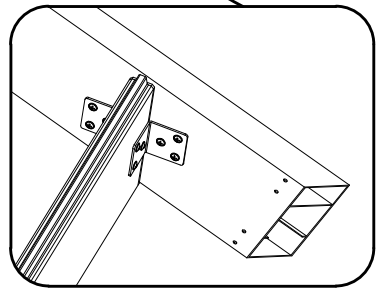
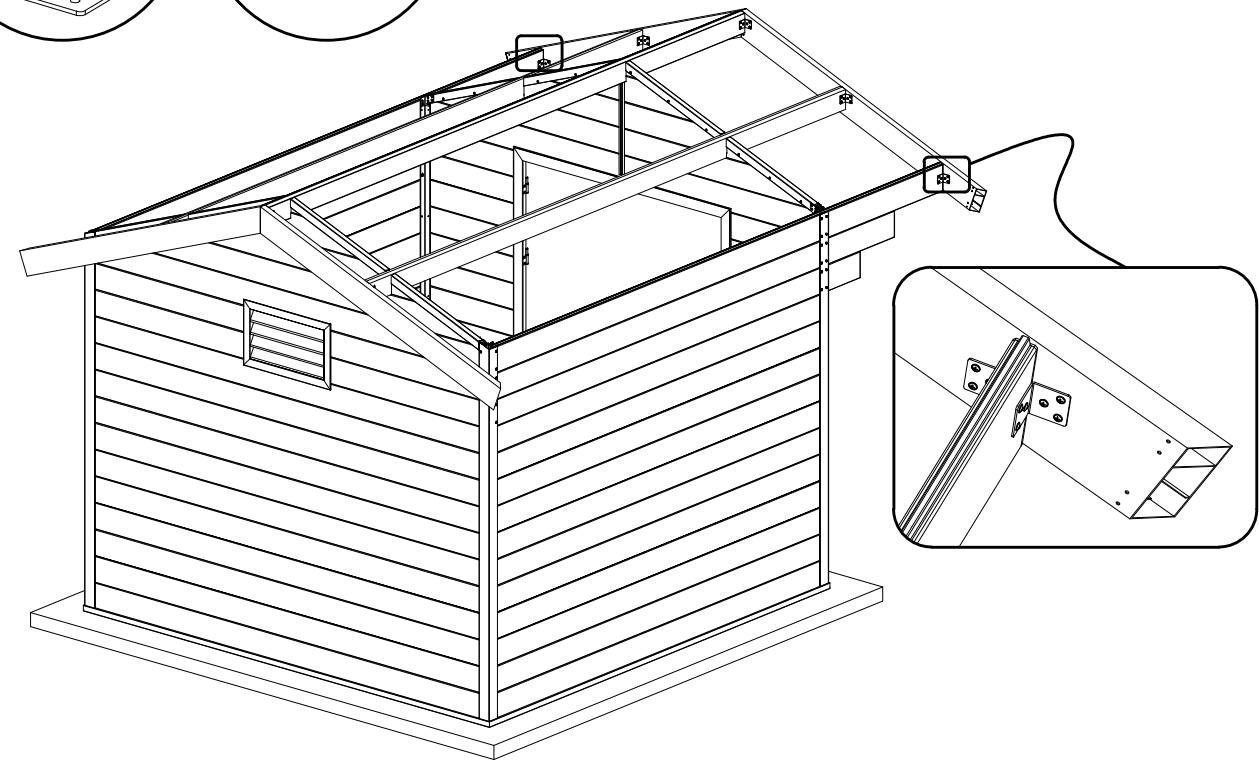
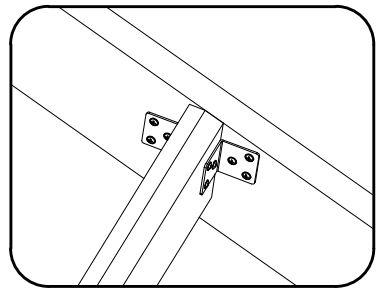
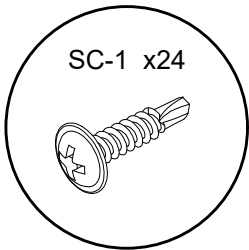
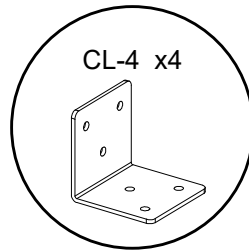
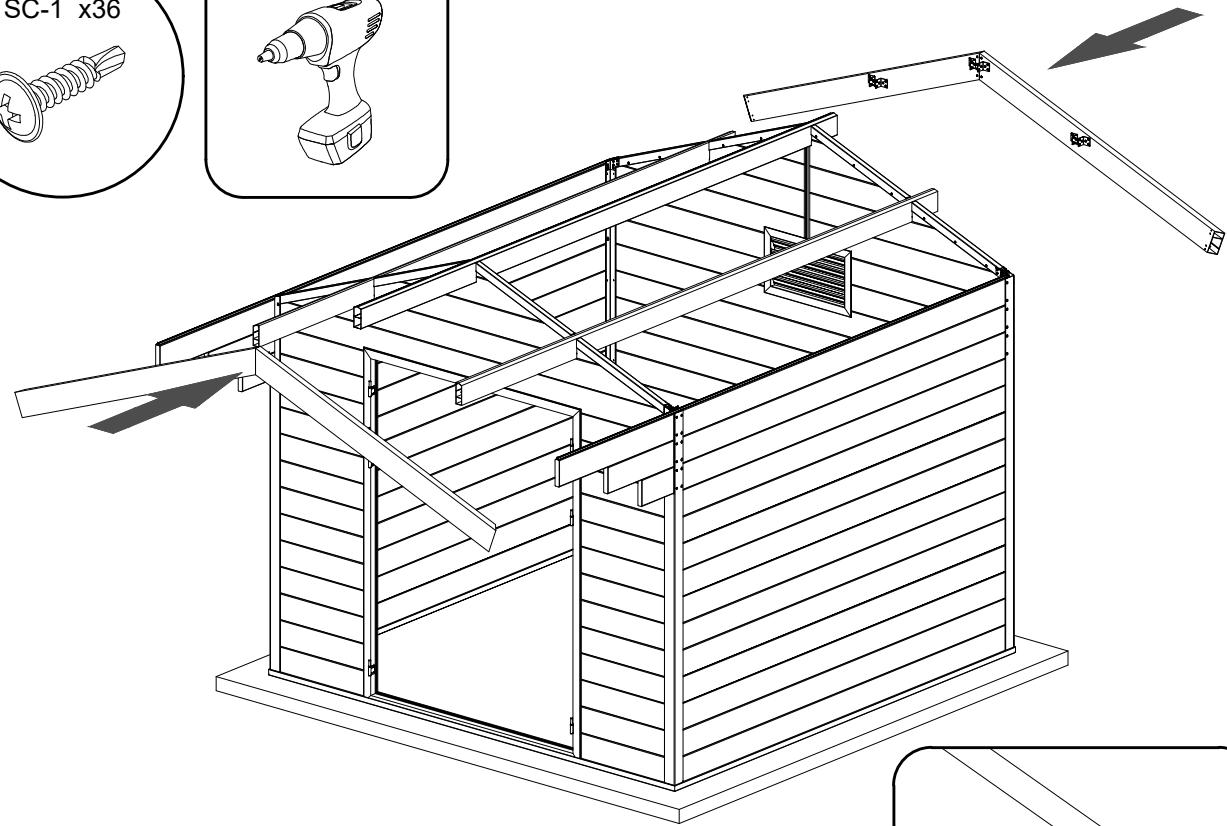
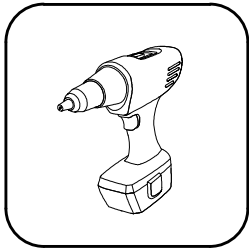
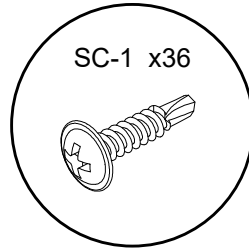
STEP 12 :



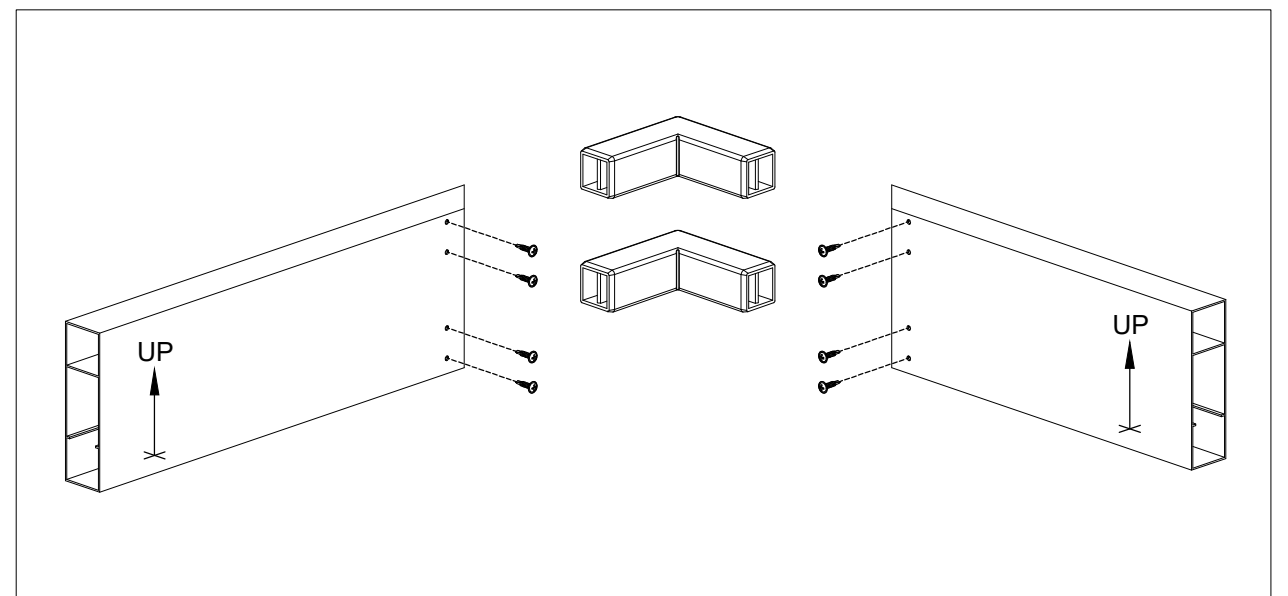
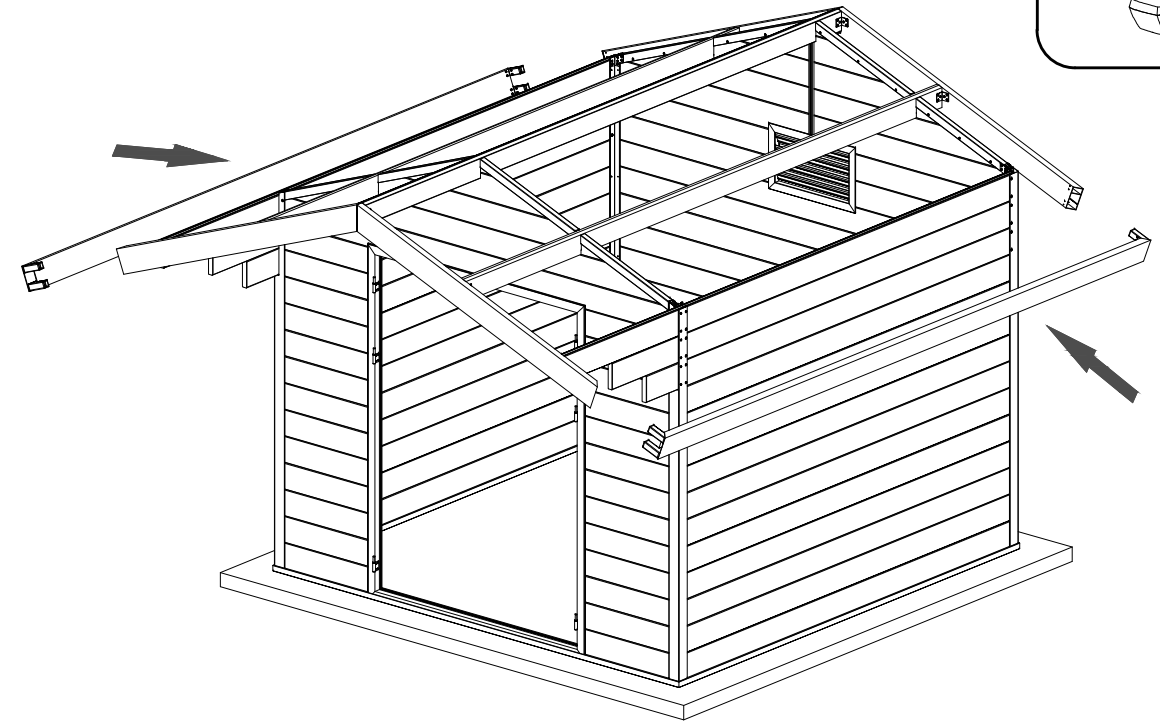
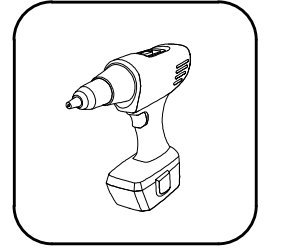
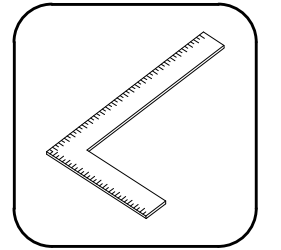
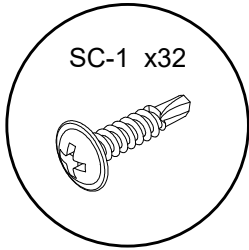
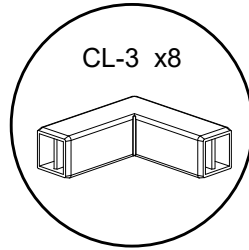
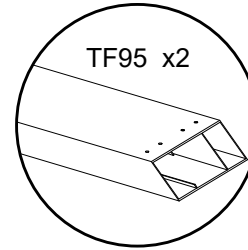
STEP 13 :



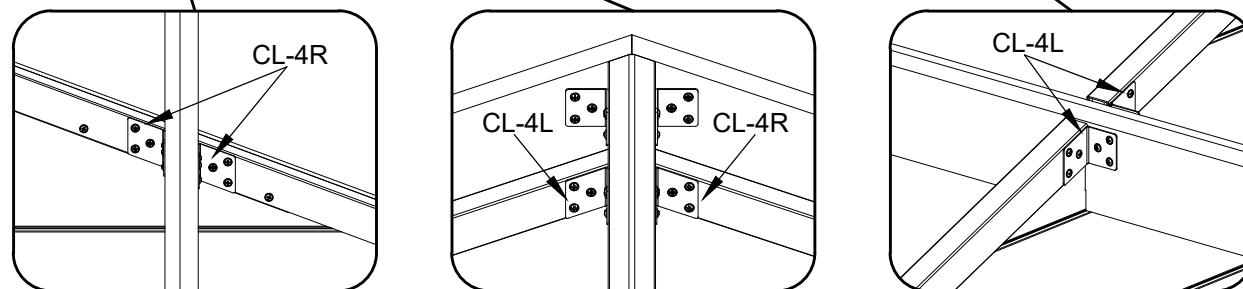
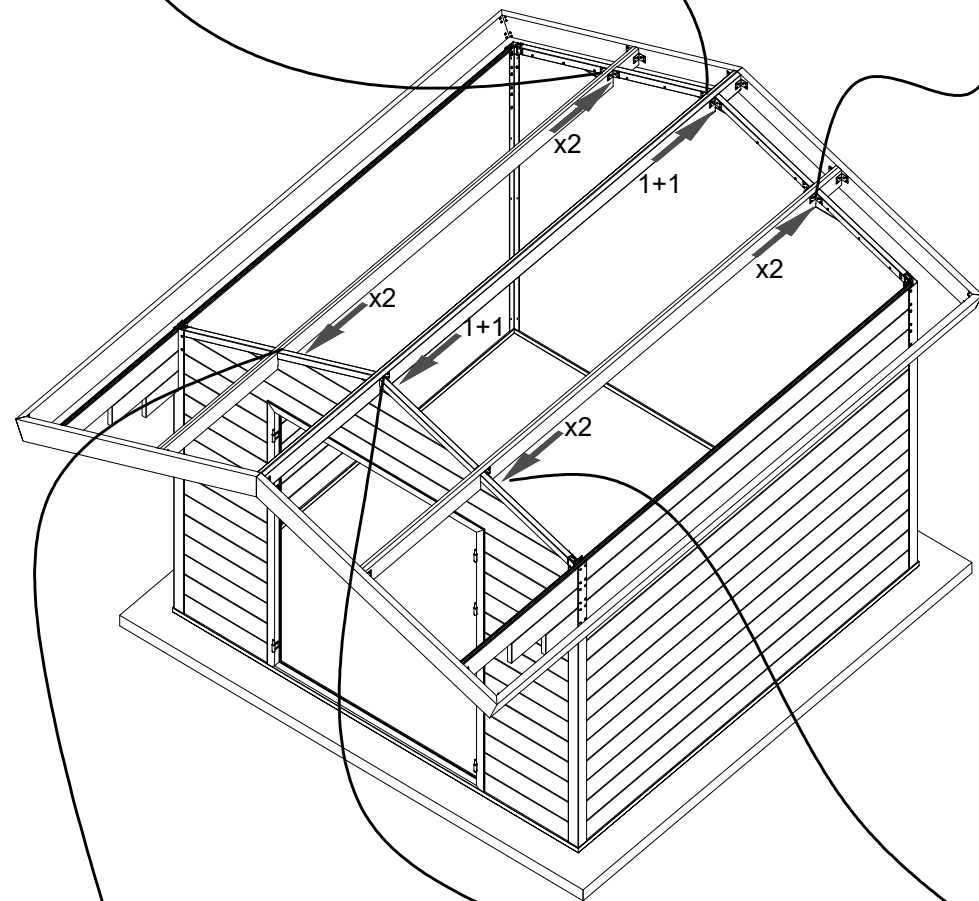
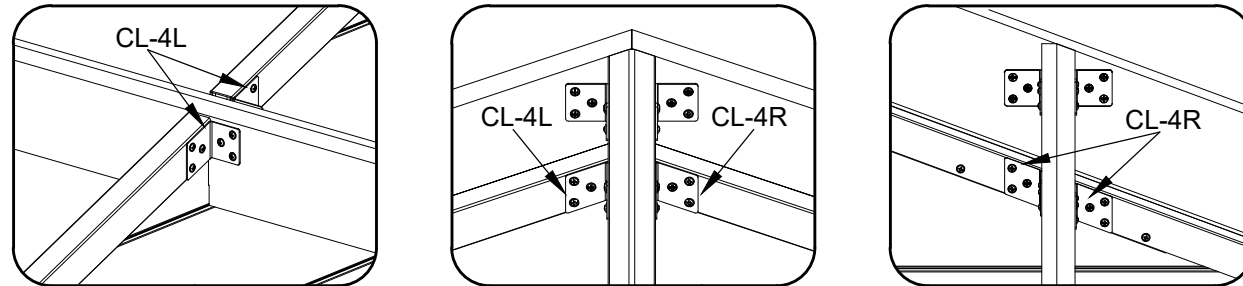
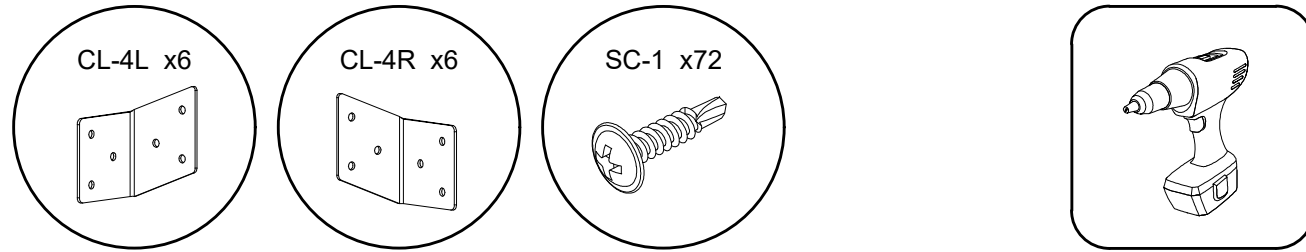
STEP 14 :



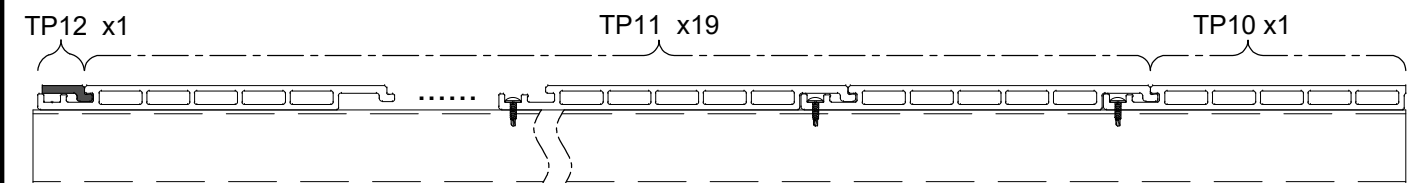
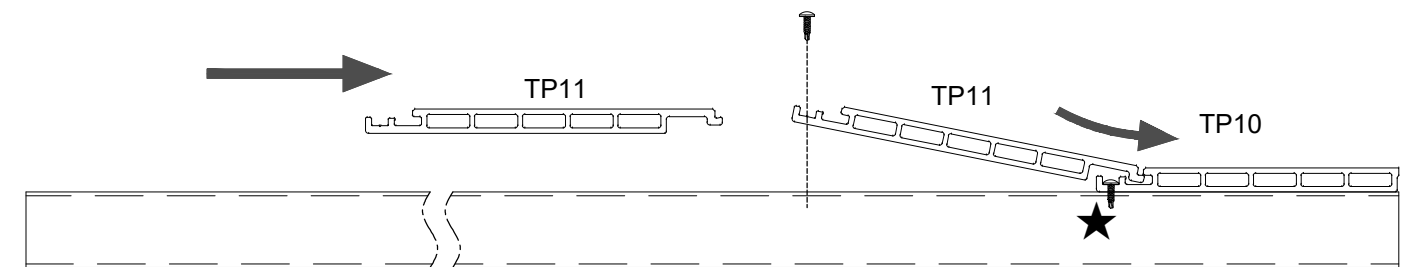
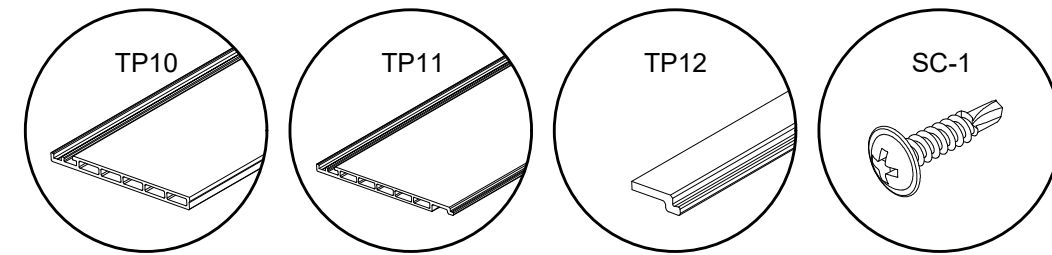
STEP 15 :



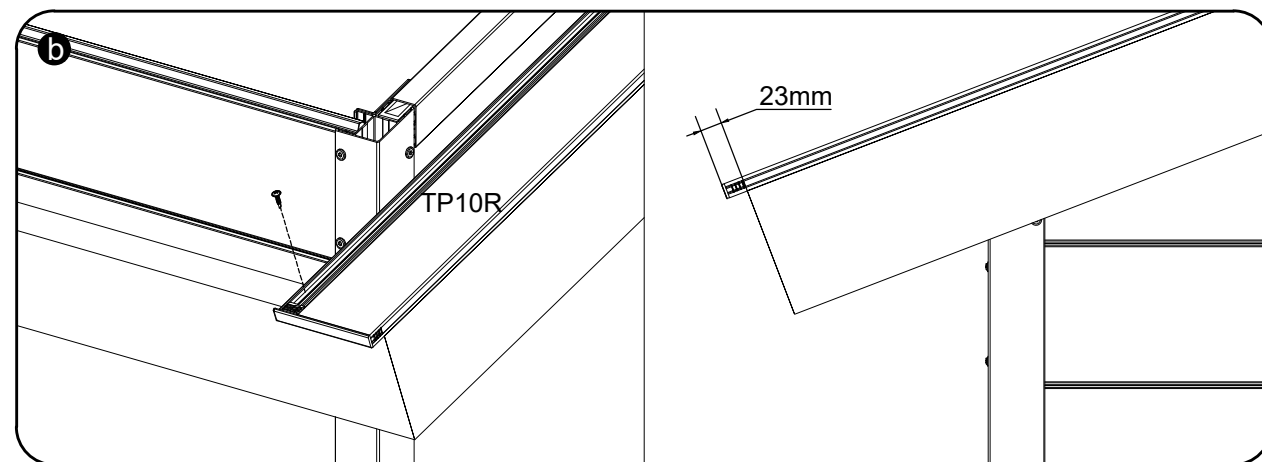
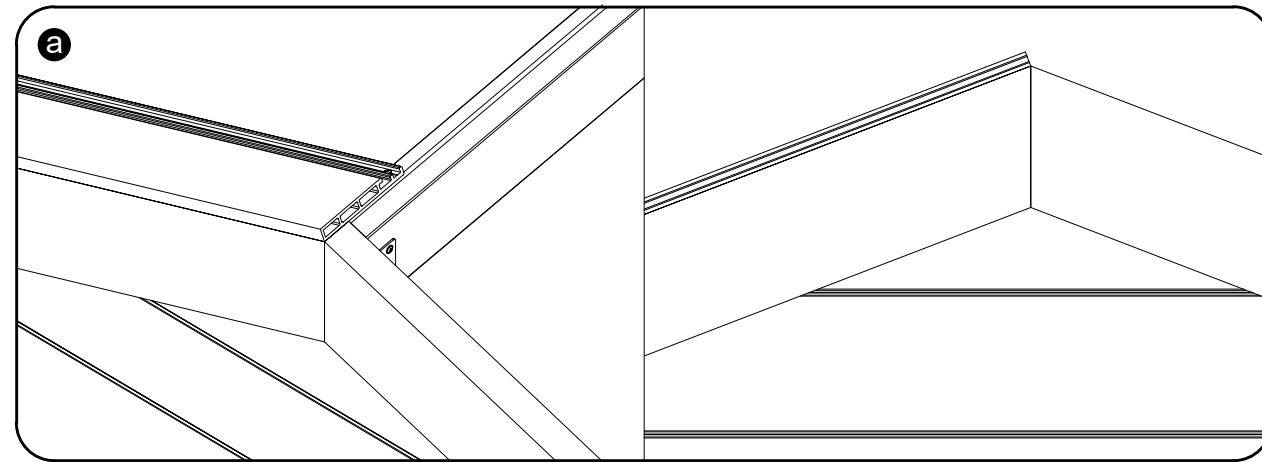
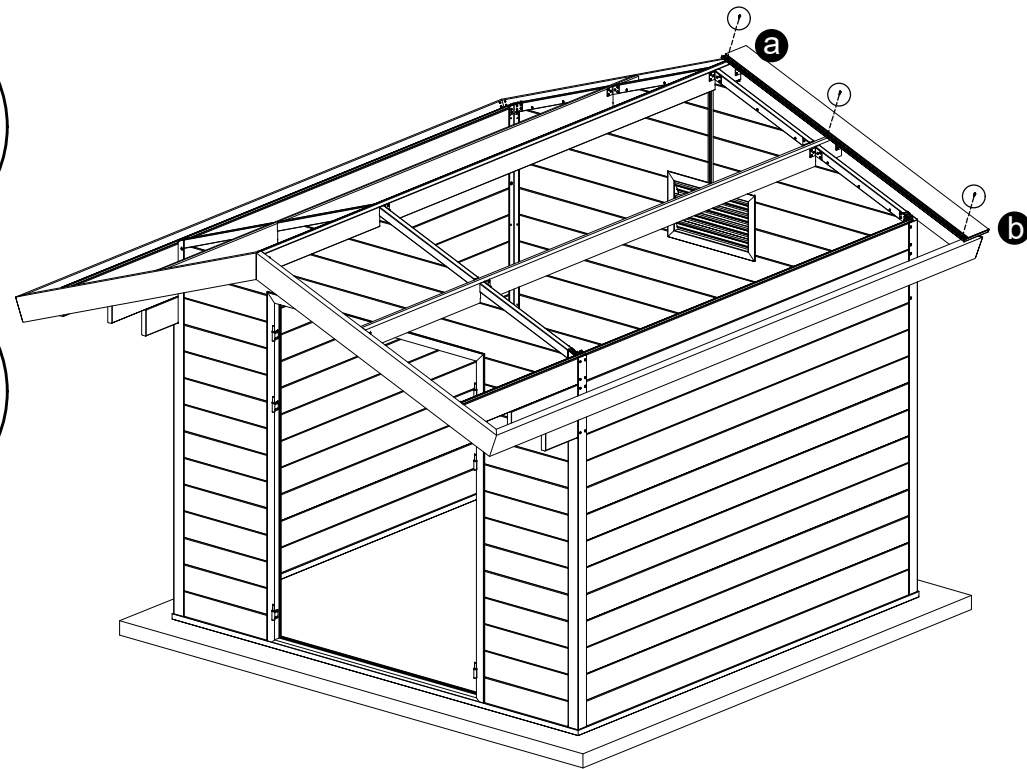
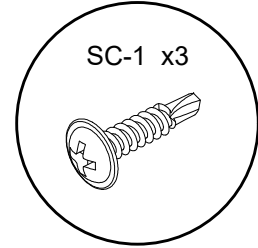
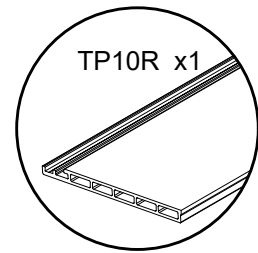
STEP 16 :



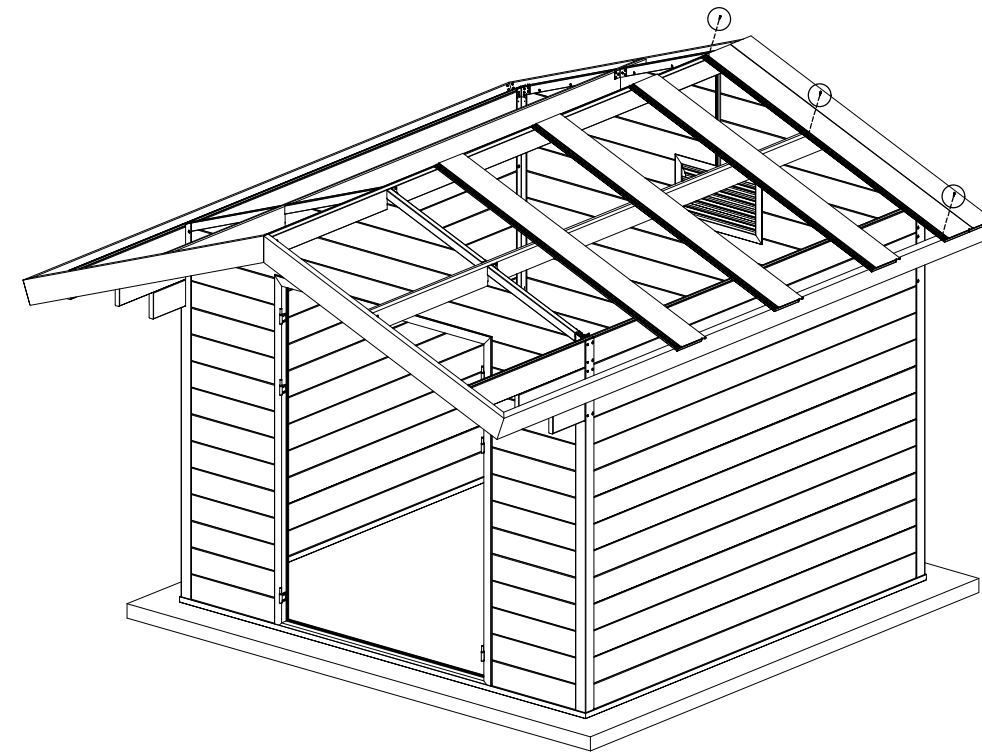
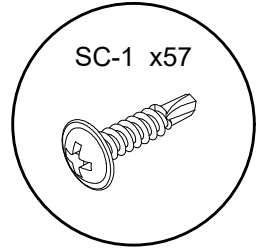
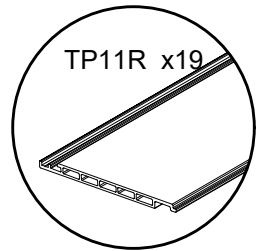
The top roof panel.



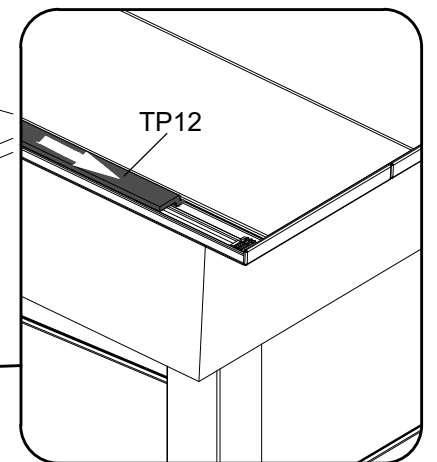
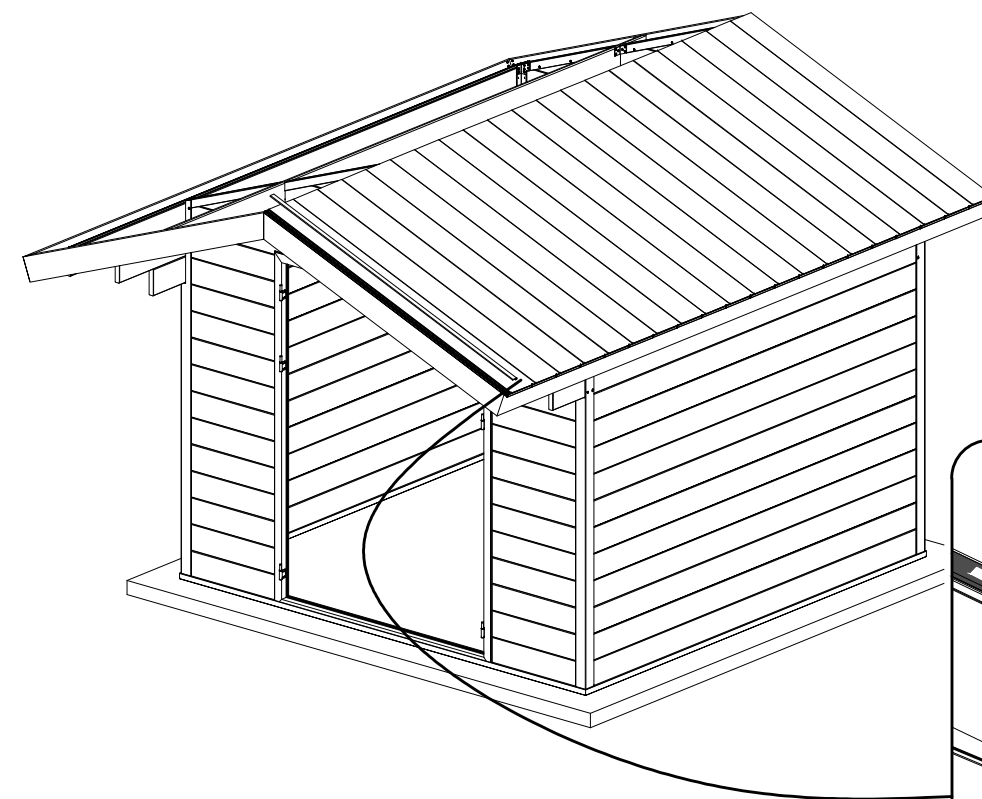
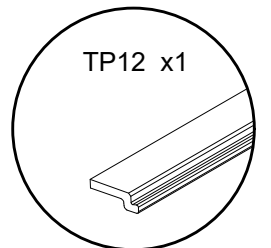
STEP 17 : The installation of top roof panel.



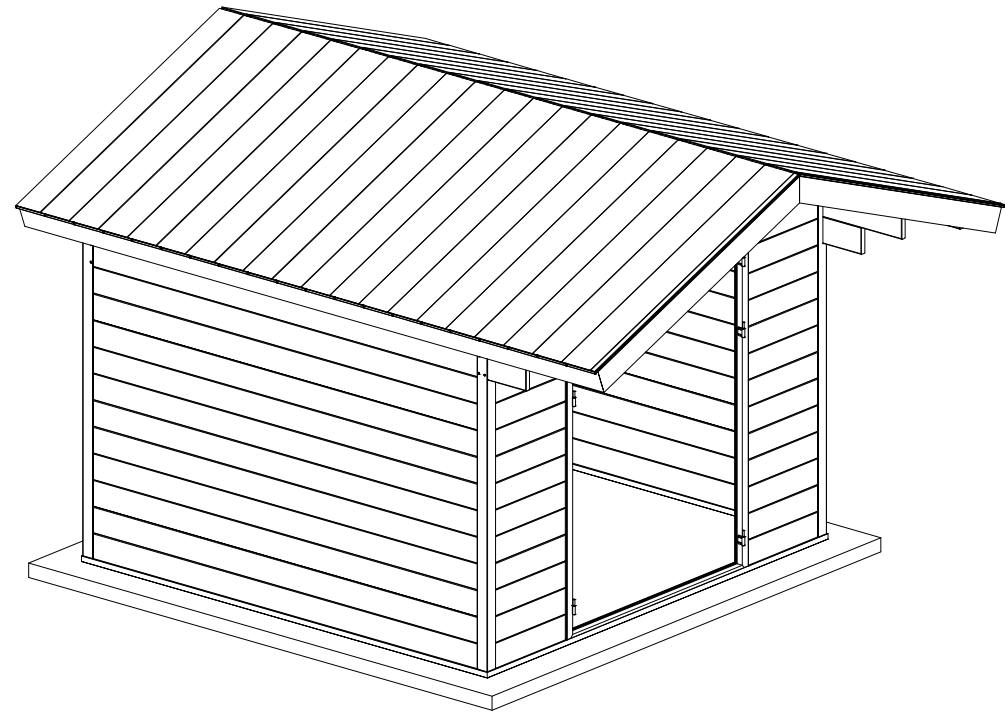
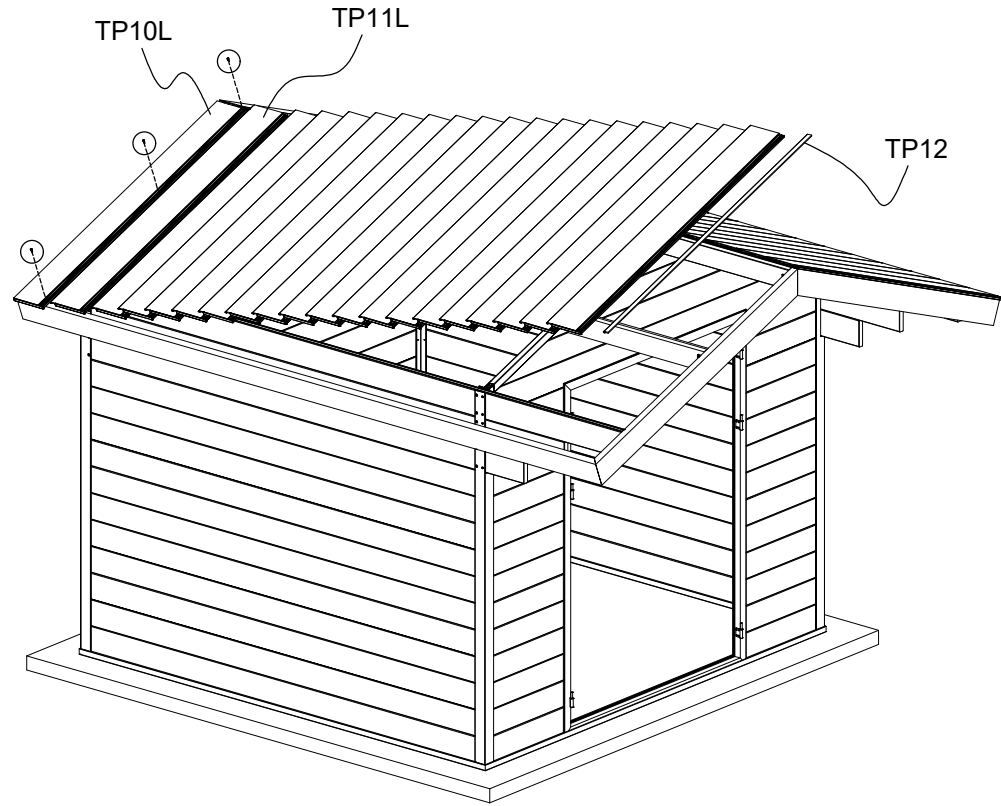
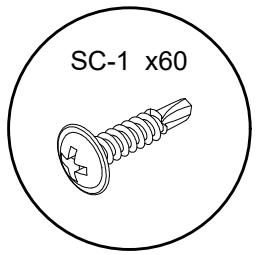
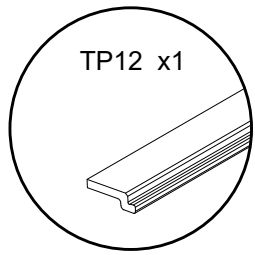
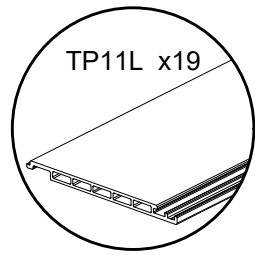
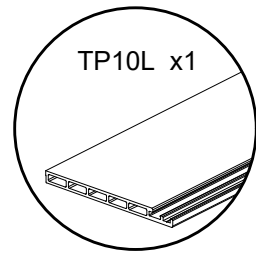
STEP18 :



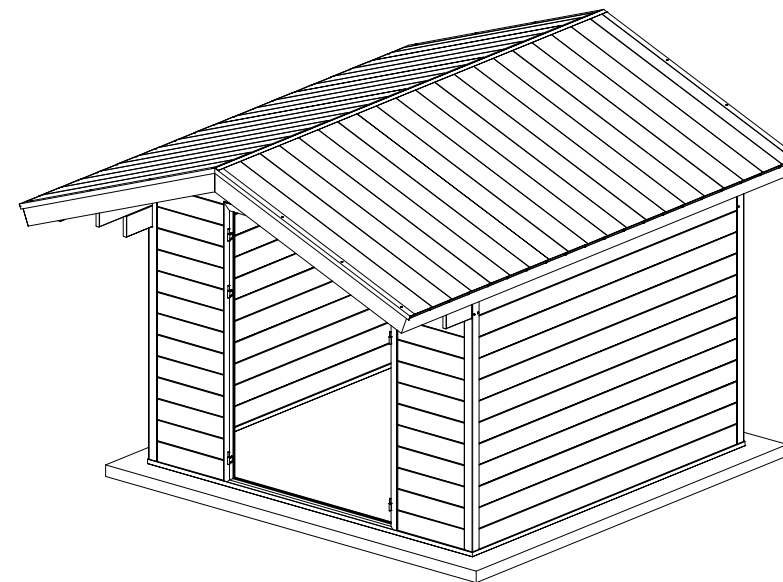
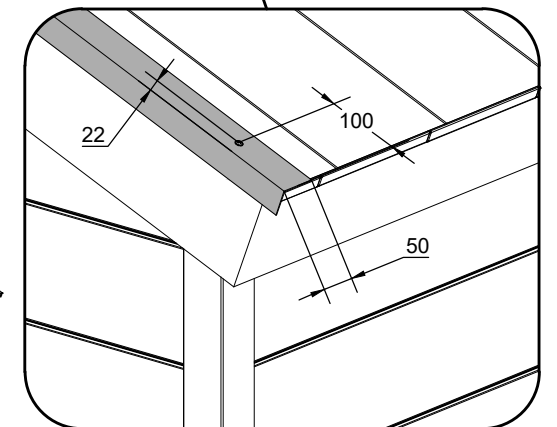
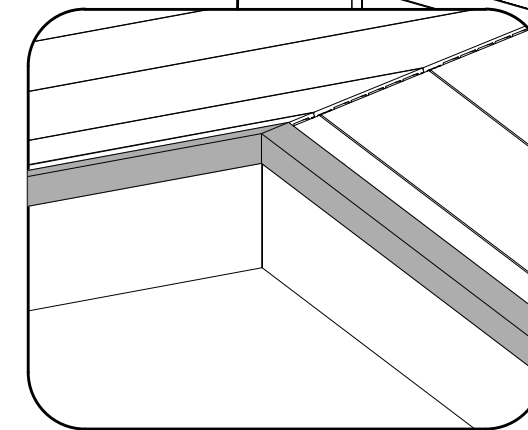
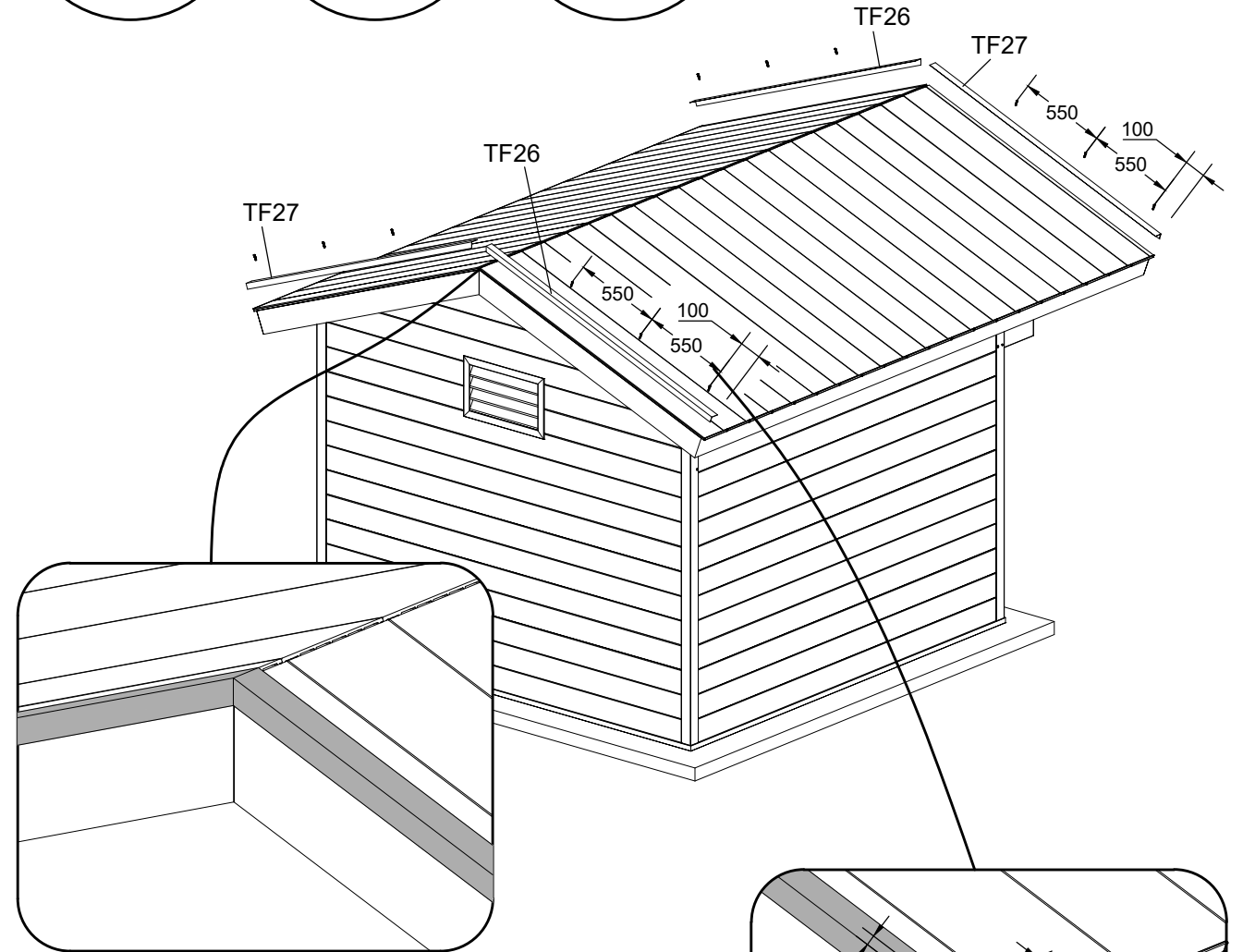
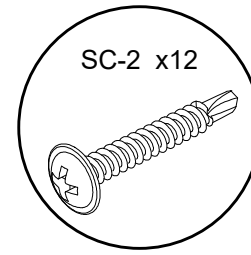
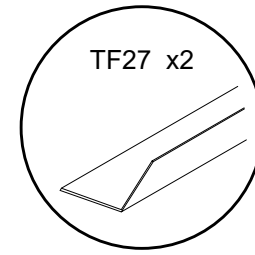
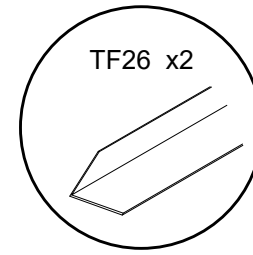
STEP 19 :



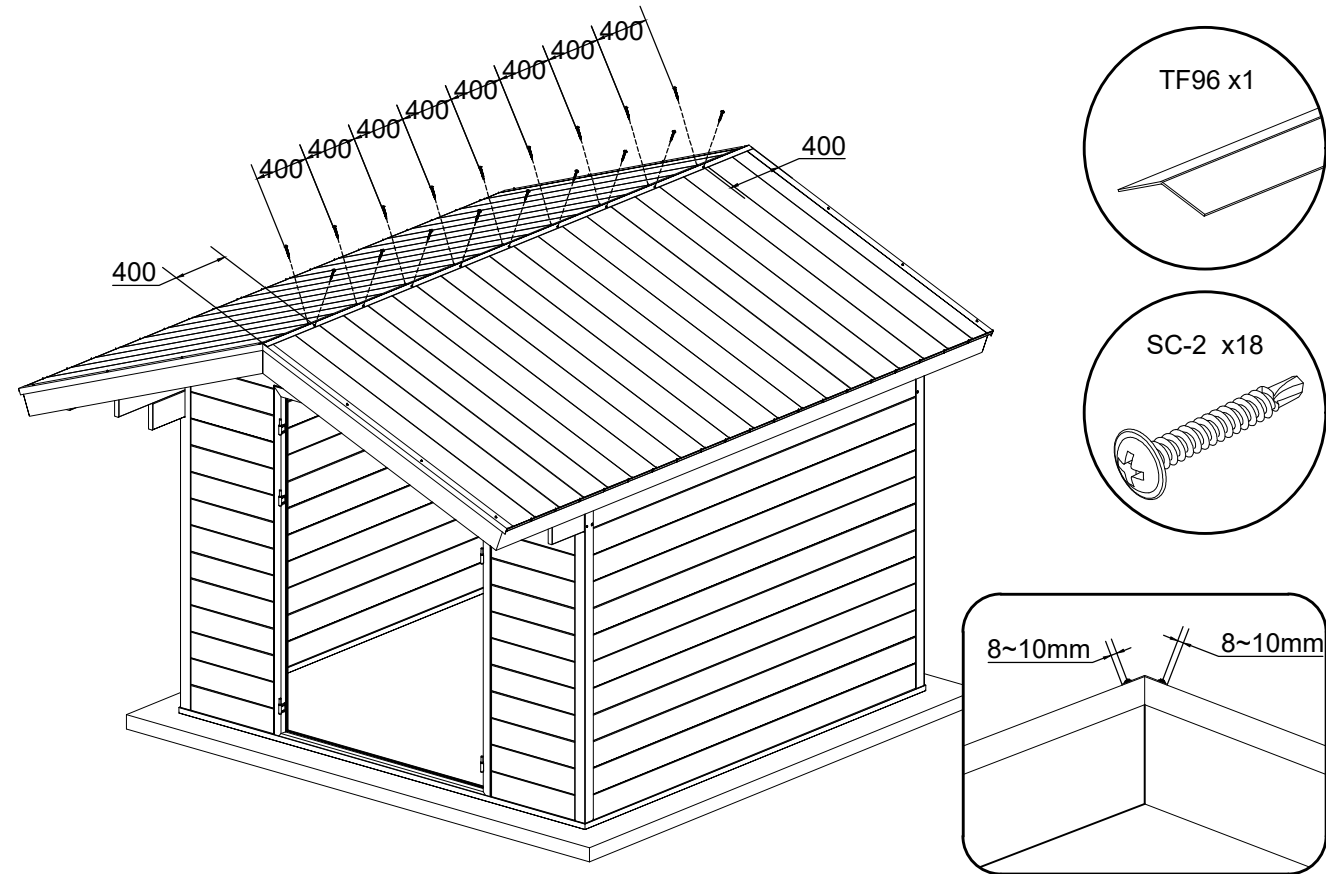
STEP20:



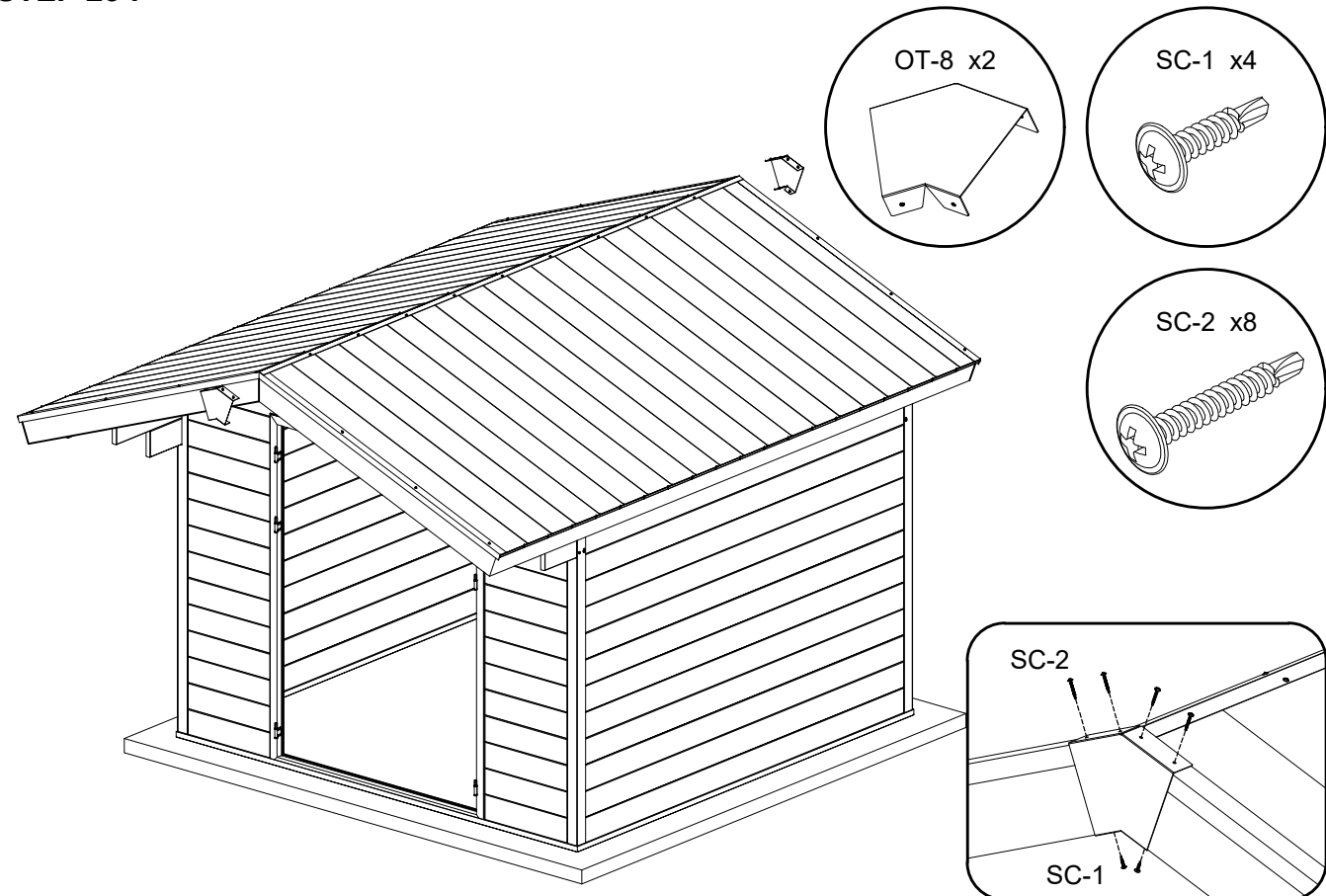
STEP 21 :



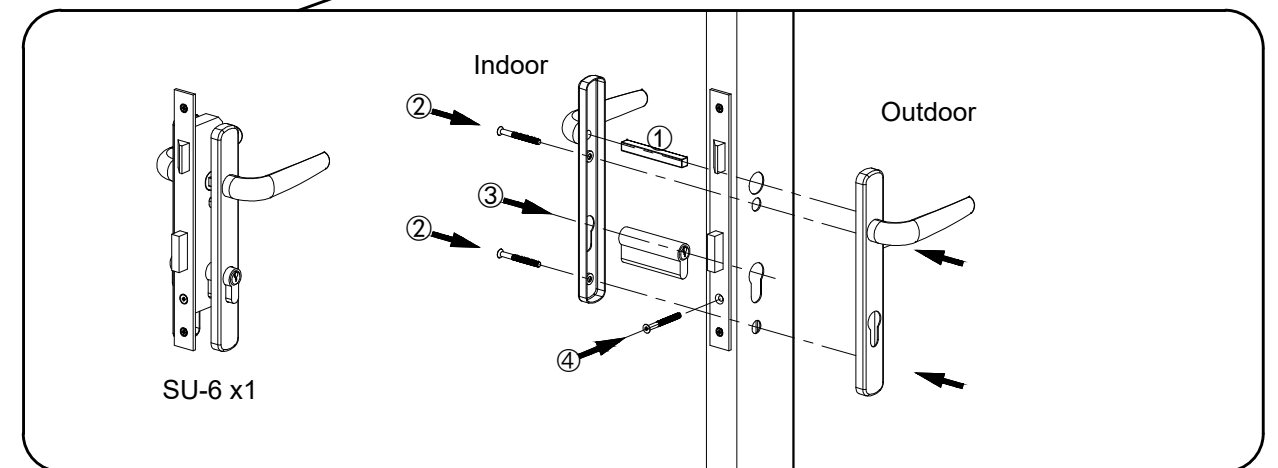
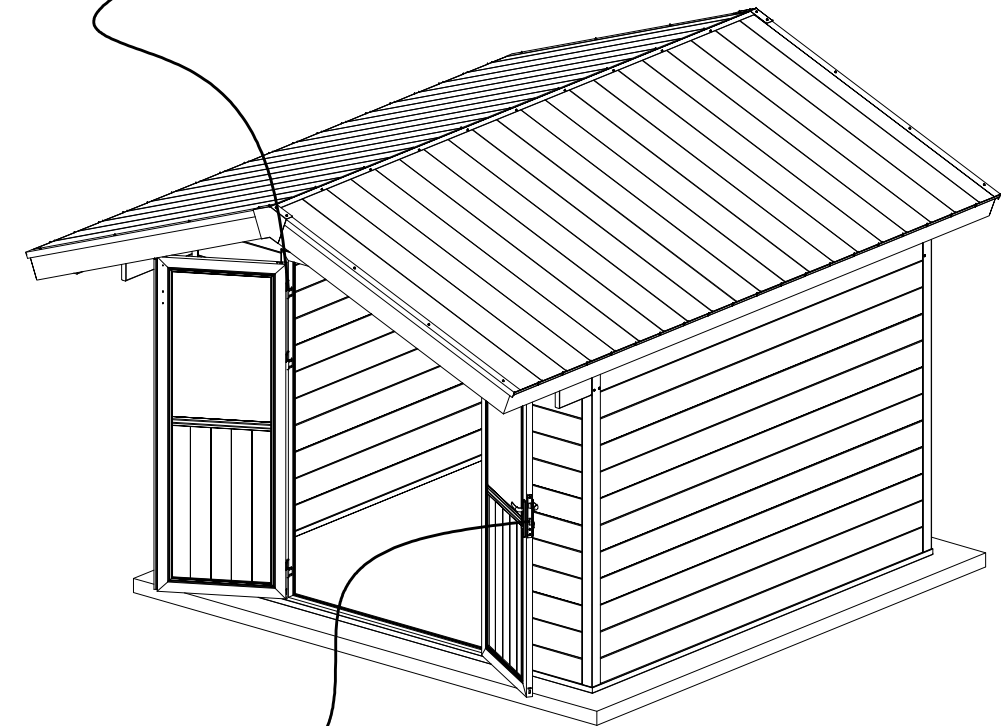
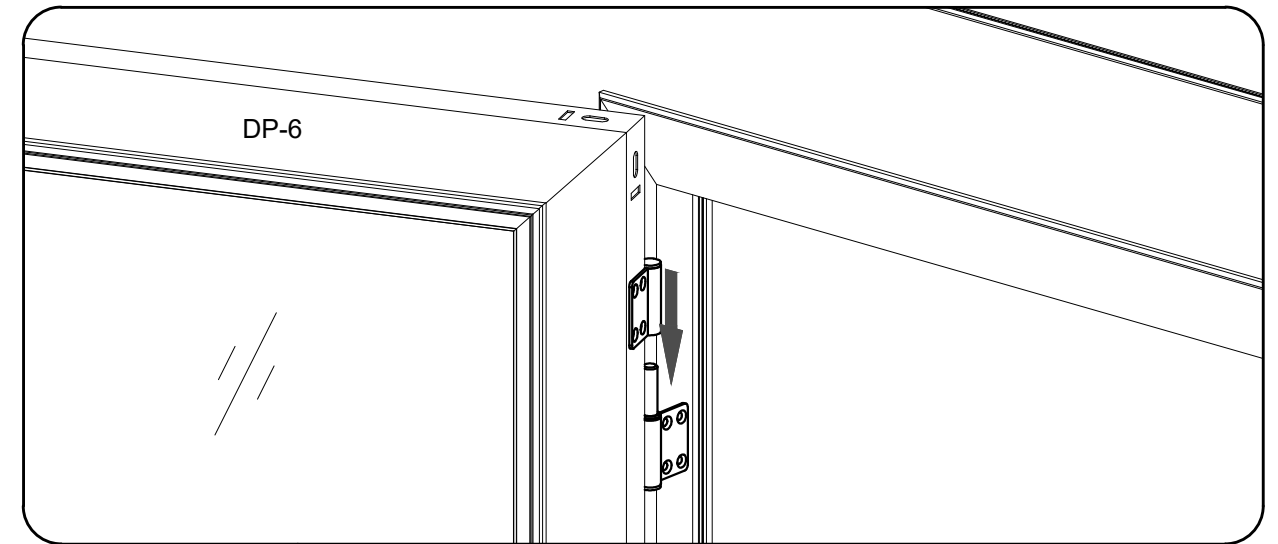
STEP 22 :



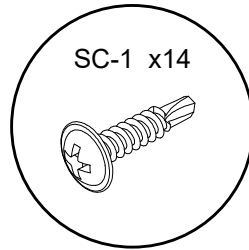
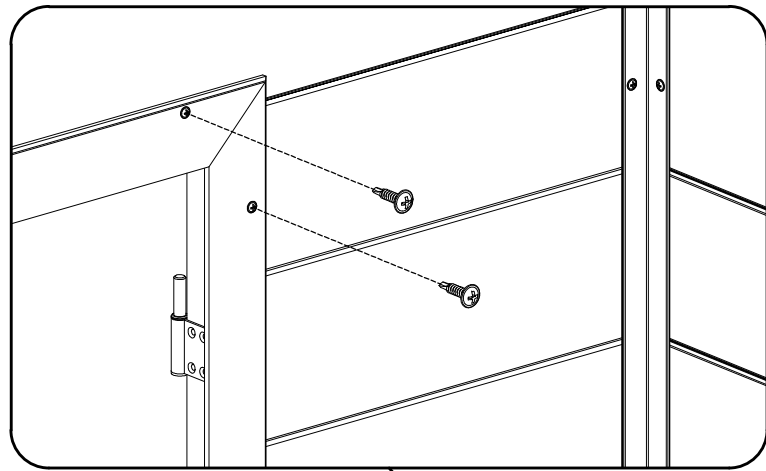
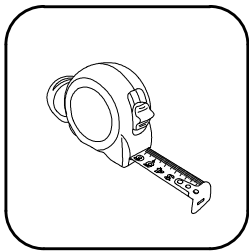
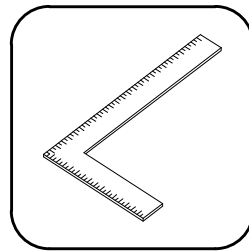
STEP 23 :



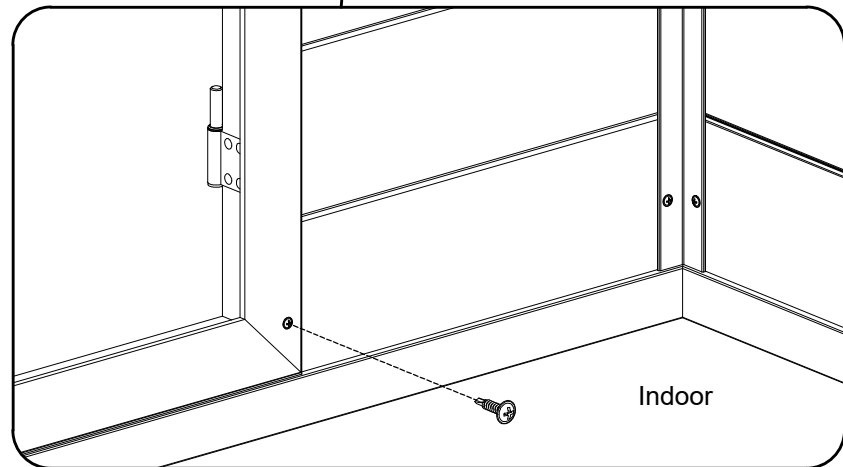
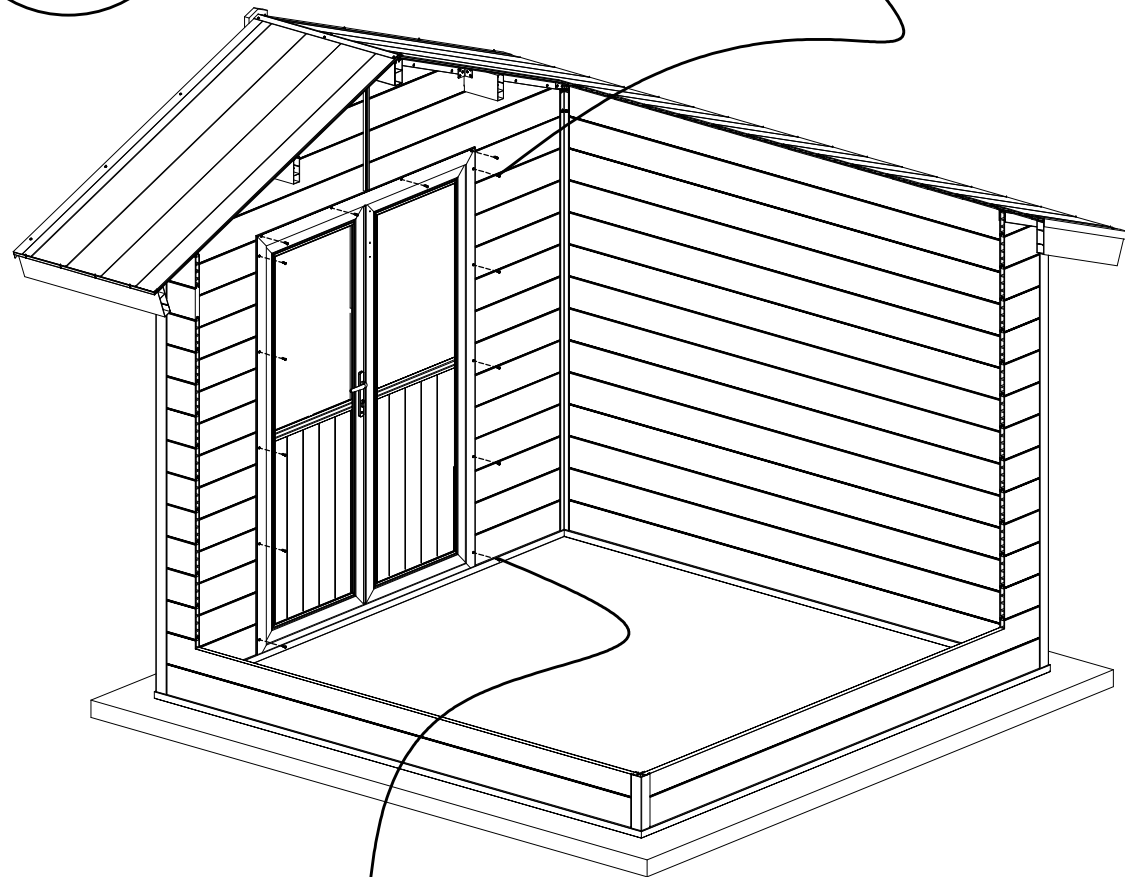
STEP 24 : DOOR and LOCK



STEP 25: Connecting Together

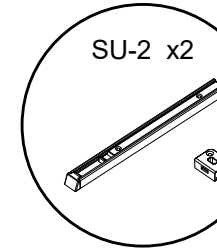


SC-1 x14

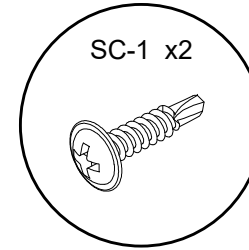


Indoor

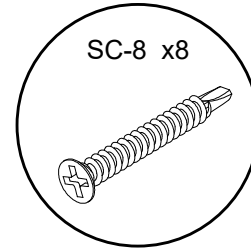
STEP 26 :



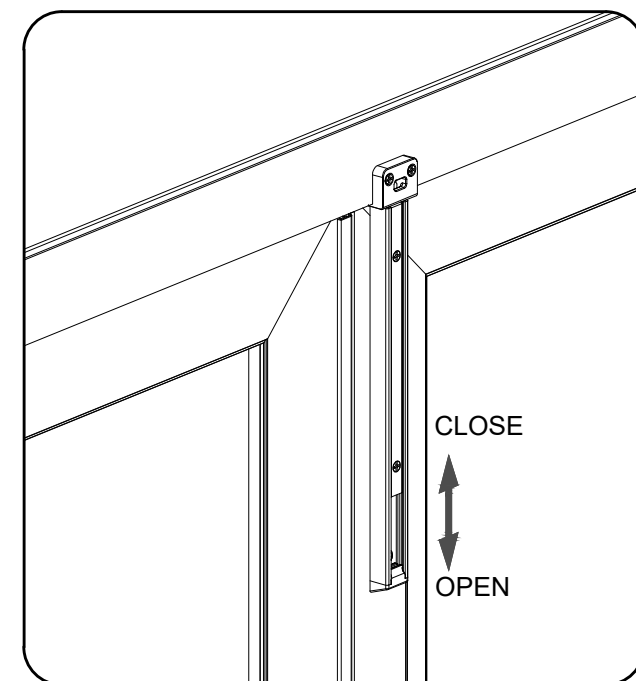
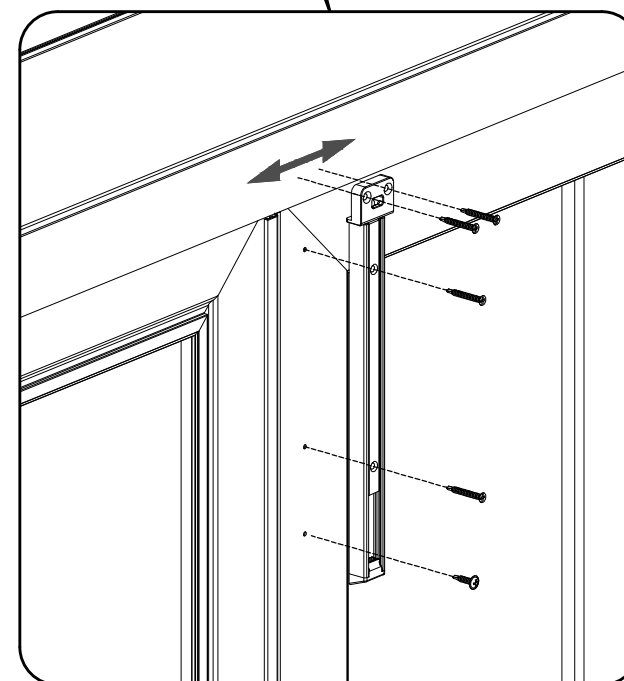
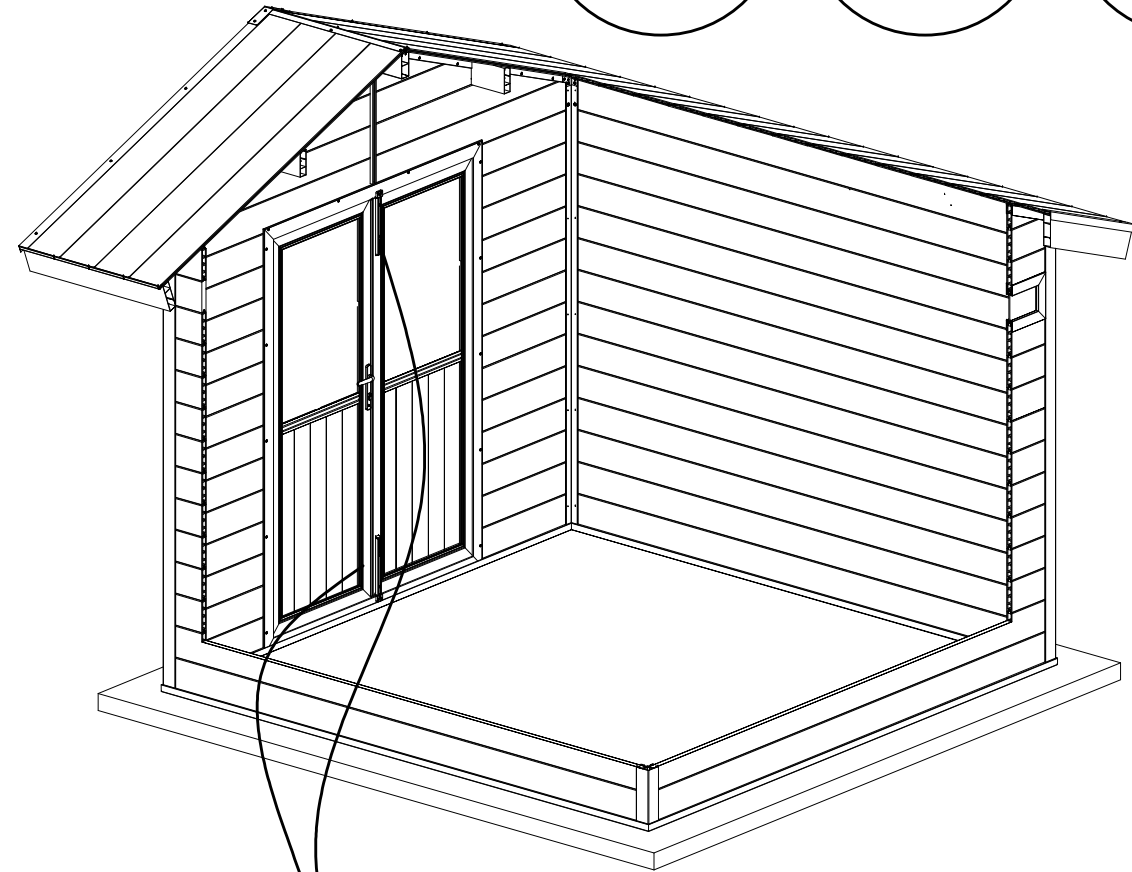
SU-2 x2



SC-1 x2



SC-8 x8



CLOSE

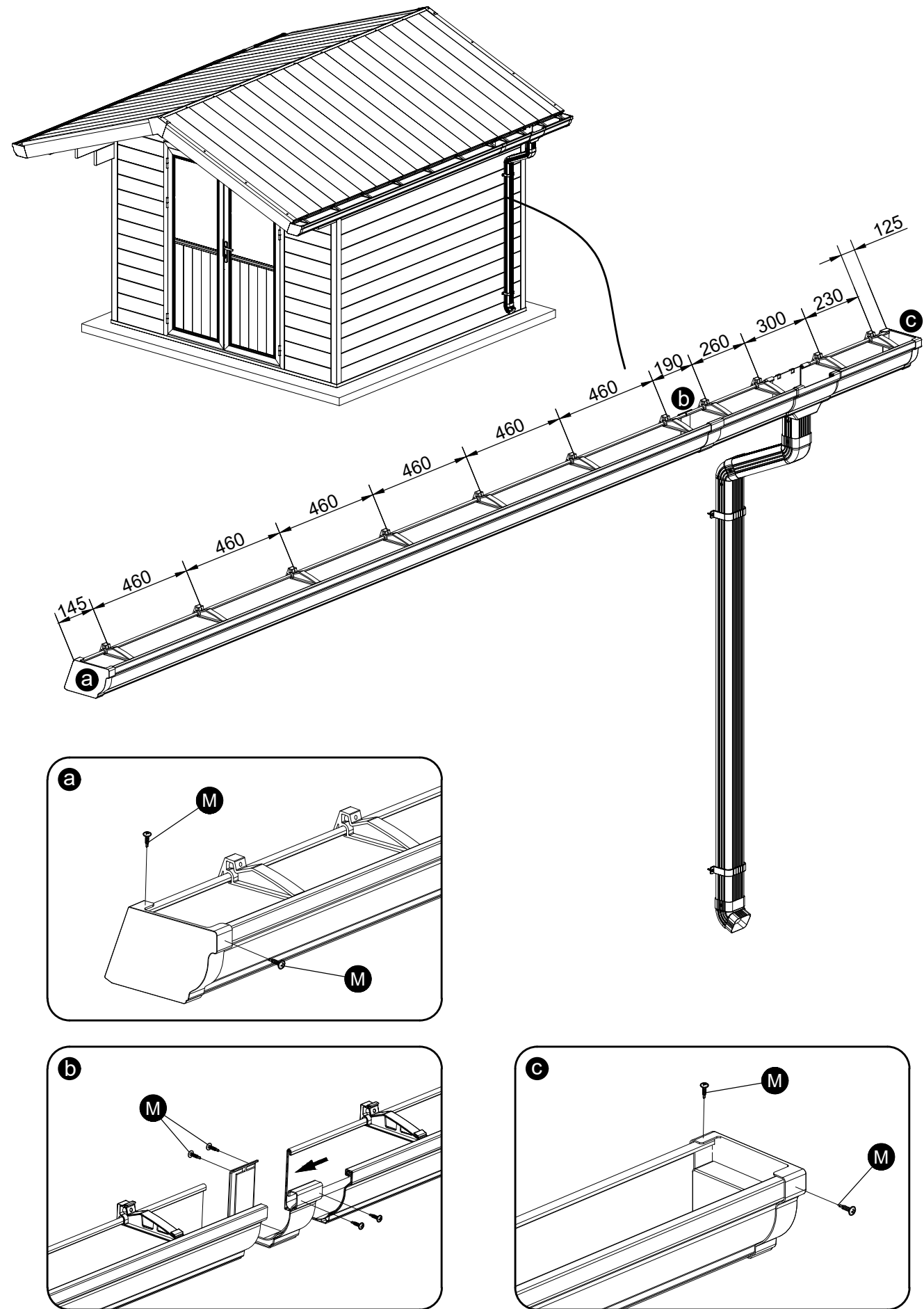
OPEN

Optional accessory: Gutter System

(A)		L=3000mm	2
(B)		L=430mm	4
(C)		/	2
(D)		/	2+2
(E)		/	22
(F)		/	2
(G)		L=100mm	2
(H)		L=255mm	2
(I)		L=1450mm	2
(J)		/	6
(K)		/	4
(L)		M4.2x50mm	30
(M)		M4.2x19mm	50
(N)		M4x25mm	12

Installation of Gutter (Left side)

Installation of Gutter (Right side)



Installation of drainage pipe

