

HENK

Installation drawings



INSTALLATION DRAWINGS - HENK

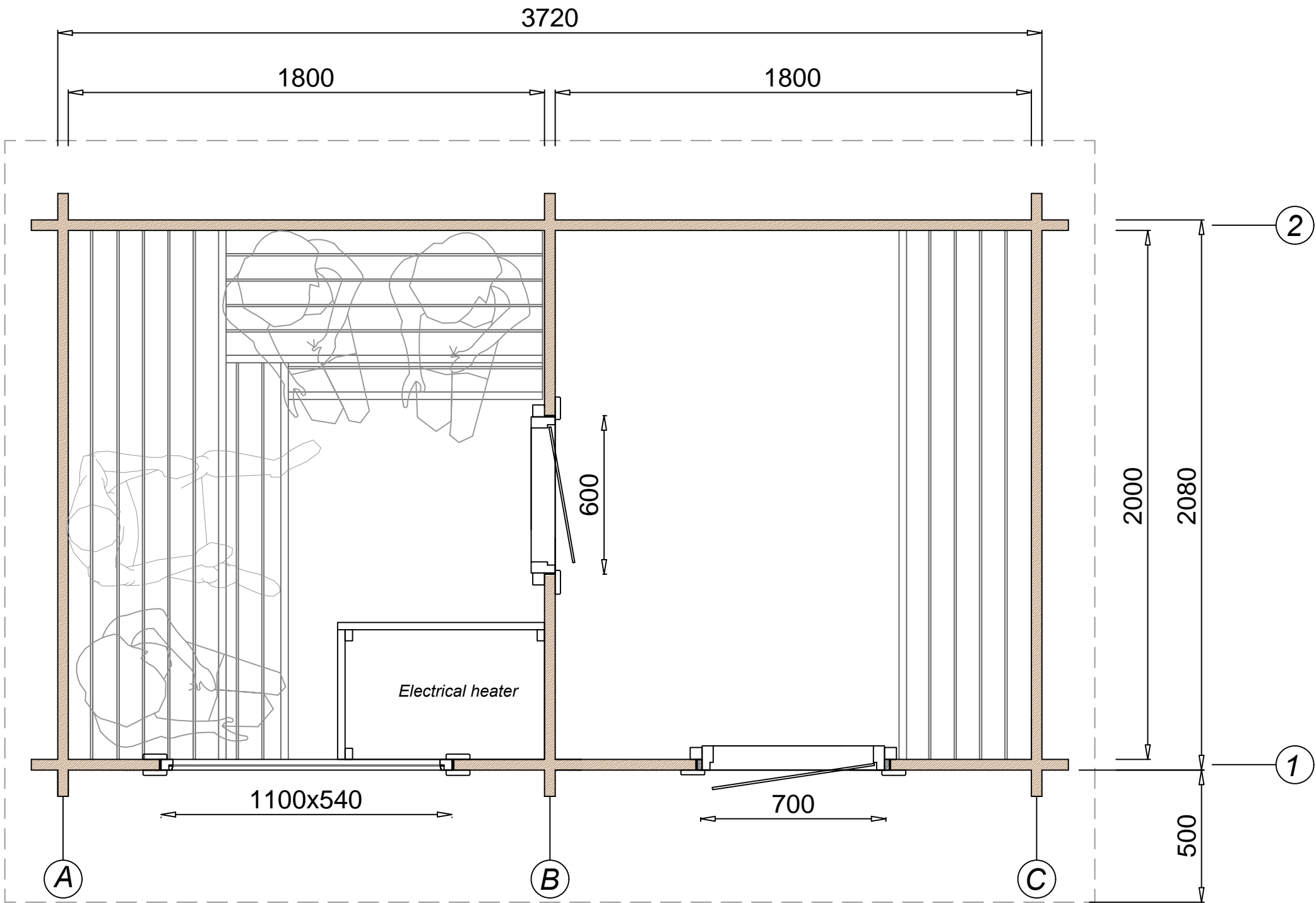
marking			length	pcs	
extra	WALL LOG 40x146	<i>extra</i>	4120	1	
001	WALL LOG 40x146		4120	2	
002	WALL LOG 40x146		3920	16	
002A	WALL LOG 40x146		3920	2	
003	WALL LOG 40x146		2512	14	
004	WALL LOG 40x146	<i>includes 1 pcs extra</i>	2280	31	
004V1	WALL LOG 40x146		2280	1	
004V2	WALL LOG 40x146		2280	1	
004B	WALL LOG 40x146		2280	6	
005	WALL LOG 40x146		840	26	
005B	WALL LOG 40x146		840	3	
006	WALL LOG 40x146		672	14	
	HAMMER BLOCK			2	
KL-1	24x120 ROOF BOARD		2837	40	
AR-1	45x95 FLOOR FRAME		3710	1	
AR-2	45x95 FLOOR FRAME		3710	1	
AR-3	45x70 FLOOR FRAME		1980	1	
AR-4	45x95 FLOOR FRAME		1980	1	
AR-5	45x95 FLOOR FRAME		1980	12	
PL-1	24x120 FLOOR BOARD END JOINT (FRONT ROOM)		1796	21	
PL-2	24x120 FLOOR BOARD END JOINT (SAUNA ROOM)		1765	21	
SR-1	45x145 RAFTER		4120	2	
SR-2	45x45 ROOF EDGE SUPPORT		4120	2	
PP-1	15x55 FLOOR MOULDINGS	cut to length!	~2,1	10	
RL-1	18x95 ROOF EDGE BOARD (FRONT, BACK)	cut to length!	~4,2	2	
RL-2	18x95 ROOF EDGE BOARD (SIDES)	cut to length!	~3,0	2	

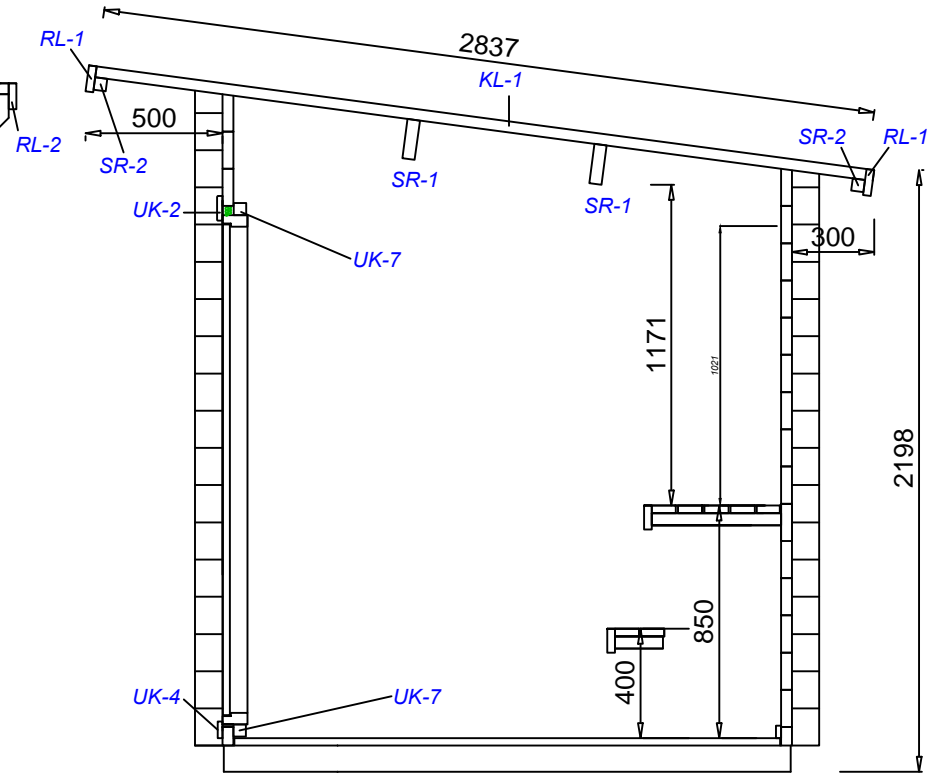
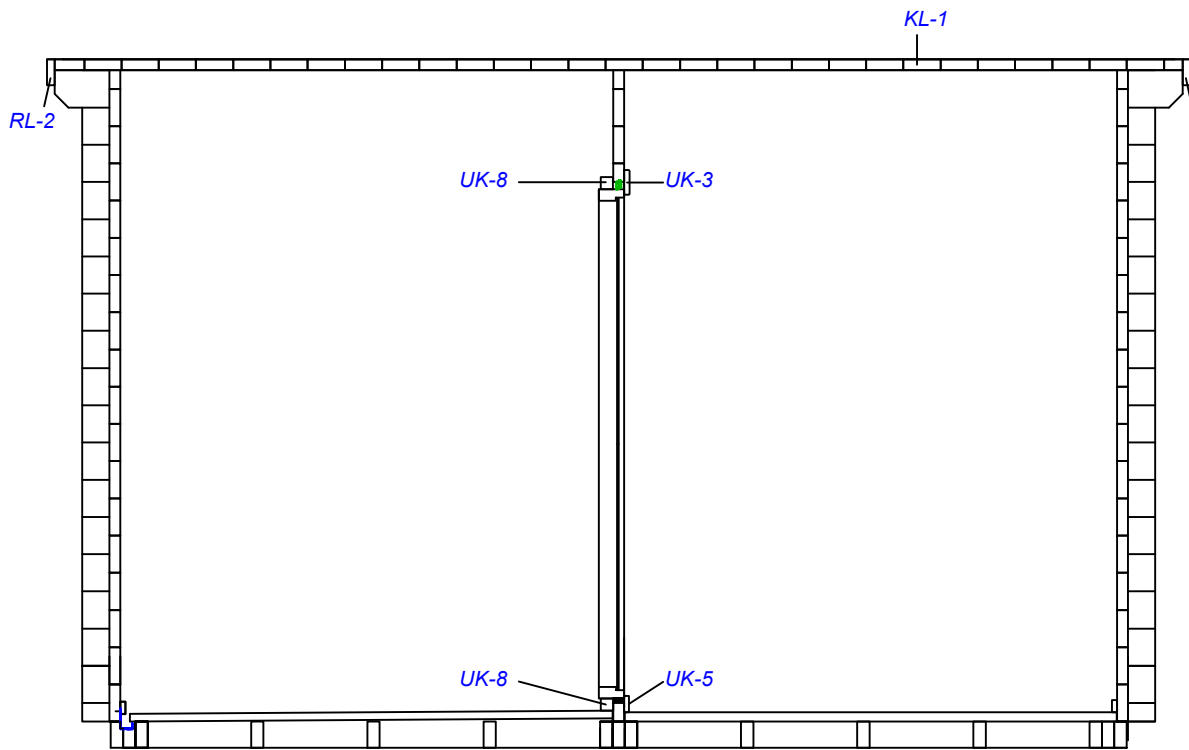
	WINDOW 1100x540			1	
	DOOR 690x1860 BRONZE, WOODEN FRAME			1	
	DOOR 590x1860 BRONZE, FULL GLASS			1	

UK-6	45x45 DOOR FRAME MOULDING inside	assembled	1950	4	
UK-7	45x45 DOOR FRAME MOULDING inside	assembled	690	2	
UK-8	45x45 DOOR FRAME MOULDING inside	assembled	590	2	
UK-9	18x40 DOOR FRAME SUPPORT	assembled	1860	2	
UK-1	18x95 DOOR MOULDINGS	vertical	1890	4	
UK-2	18x95 DOOR MOULDINGS	horizontal	890	1	
UK-3	18x95 DOOR MOULDINGS	horizontal	790	1	
UK-4	15x55 DOOR MOULDINGS	horizontal	660	1	
UK-5	15x55 DOOR MOULDINGS	horizontal	560	1	
AK-1	18x95 WINDOW MOULDINGS		1310	2	
AK-2	18x95 WINDOW MOULDINGS		1060	2	
AK-3	18x95 WINDOW MOULDINGS		625	4	
RN-1	WATER DRAINAGE		1995	1	
extra	WATER DRAINAGE FOR MIRROR LAYOUT		1995	1	
	BENCH SET (5 BENCHES + 2 BENCH SKIRTS + SUPPORTS)			1	
	HEATER GUARD DIY SET			1	
	VENTILATION LOUVER WOOD D100			2	
	VENTILATION GRID METAL D100			2	
	3 MM DETAIL FOR FLOOR SLOPE		1995	1	
	6 MM DETAIL FOR FLOOR SLOPE		1995	1	
	9 MM DETAIL FOR FLOOR SLOPE		1995	1	
	12 MM DETAIL FOR FLOOR SLOPE		1995	1	
	SCREW 3,5x40 STAINLESS FOR MOULDINGS			200	
	SCREW 4,8x90 STAINLESS FOR CONNECTION WALL LOGS			400	
	SCREW 3.5x50 FOR FLOOR BOARDS			300	
	SCREW 4,5x70 FOR ROOF EDGE BOARDS AND BENCH SUPPORTS			200	
	SCREW 5,0x90 FOR FLOOR FRAME AND WALL CONNECTIONS			100	
	SCREW 5,0x120 FOR FIRST WALL ROW AND WALL CONNECTIONS			25	
	SCREW 6,0x180 FOR RAFTERS AND WALL CONNECTIONS			25	
	NAIL 75 MM FOR ROOF BOARD			400	

WALL LOGS

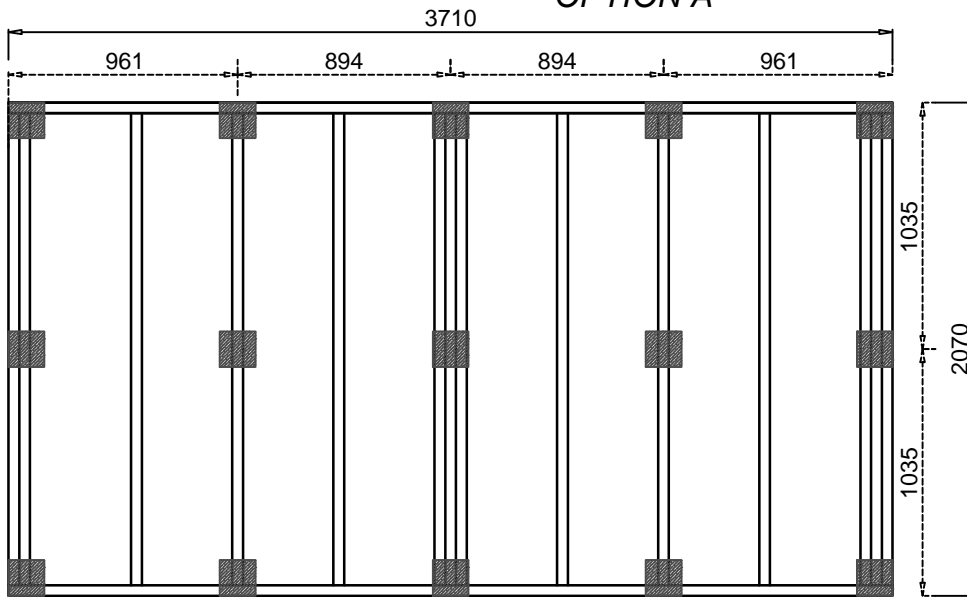
		extra	1 pcs						
		001	2 pcs						
		002	16 pcs						
		002A	2 pcs						
		003	14 pcs						
		004	31 pcs						
		004v1	1 pcs				005	26 pcs	
		004v2	1 pcs				005B	3 pcs	
		004B	6 pcs				006	14 pcs	





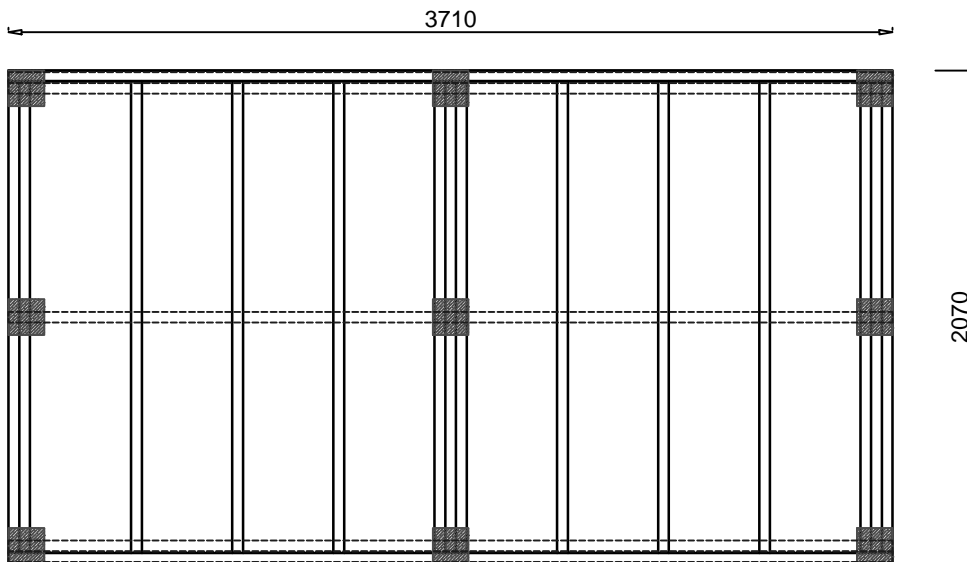
BASEMENT POSITIONING

OPTION A



OPTION B

**WHEN USING AN EXTRA BEAMS UNDER THE FLOOR FRAME -
AMOUNT OF SUPPORTS CAN BE REDUCED
(NOT INCLUDED WITH DELIVERY KIT)**

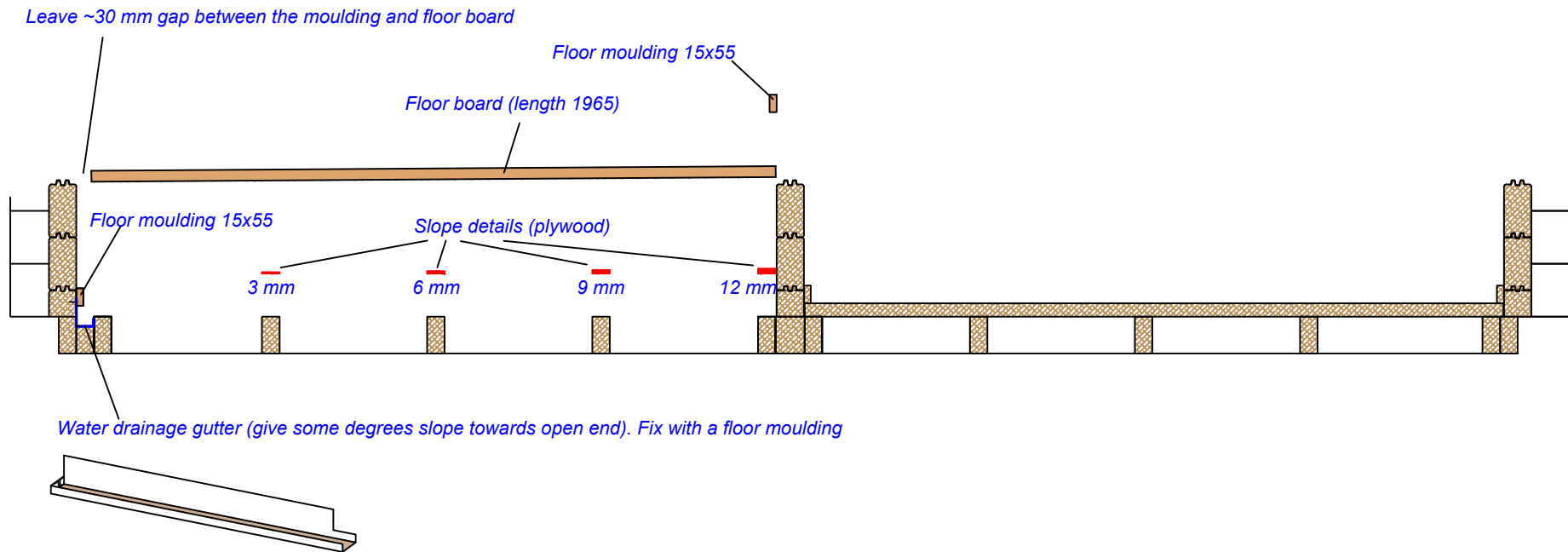


NOT INCLUDED IN DELIVERY SET:

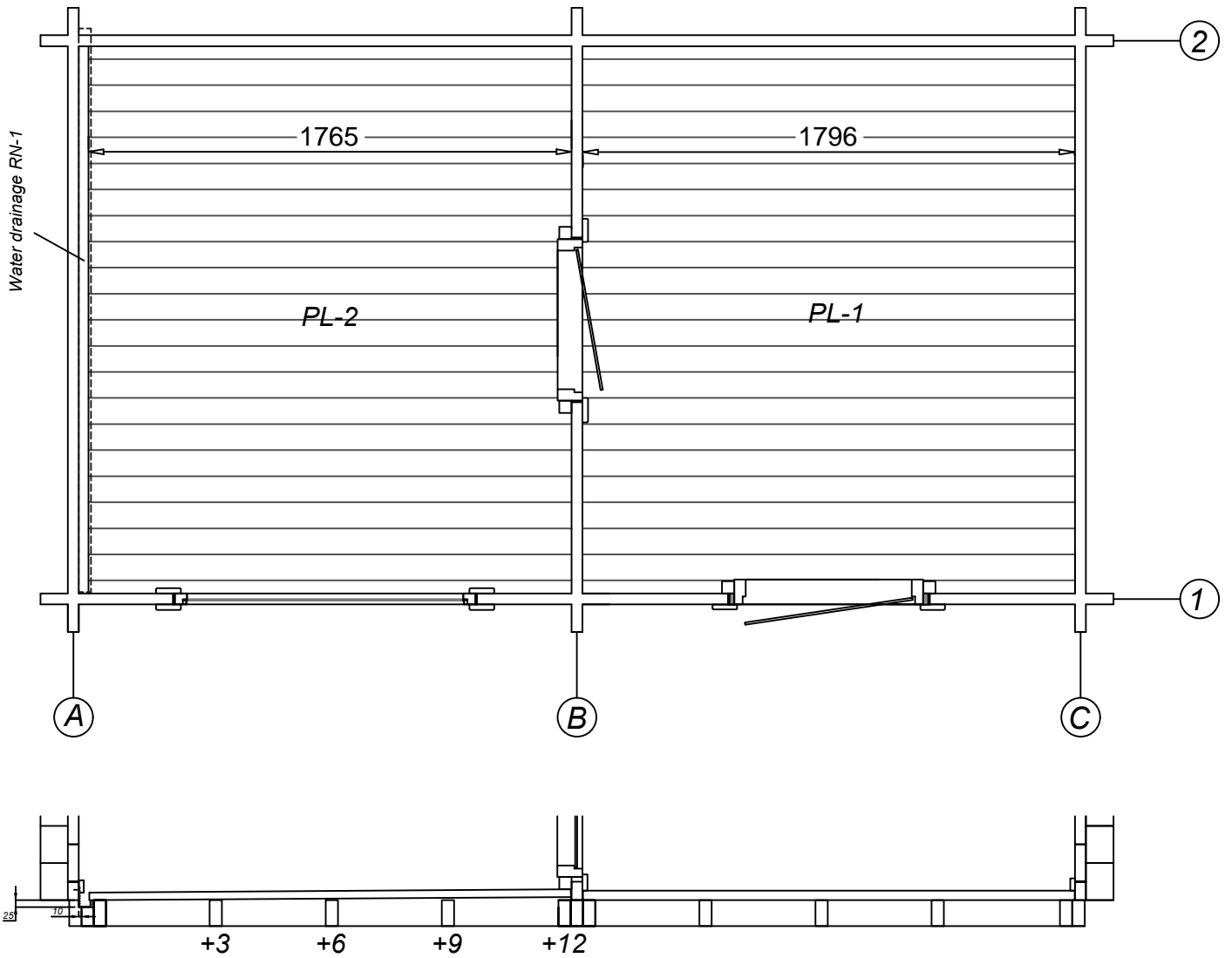
- METAL FOUNDATION SCREWS**
- CONCRETE BLOCKS**
- EXTRA BEAMS UNDER THE FLOOR FRAME**

ADD THE FLOOR SLOPE DETAILS (3, 6, 9, 12 MM) BEFORE INSTALLING THE FLOOR BOARDS

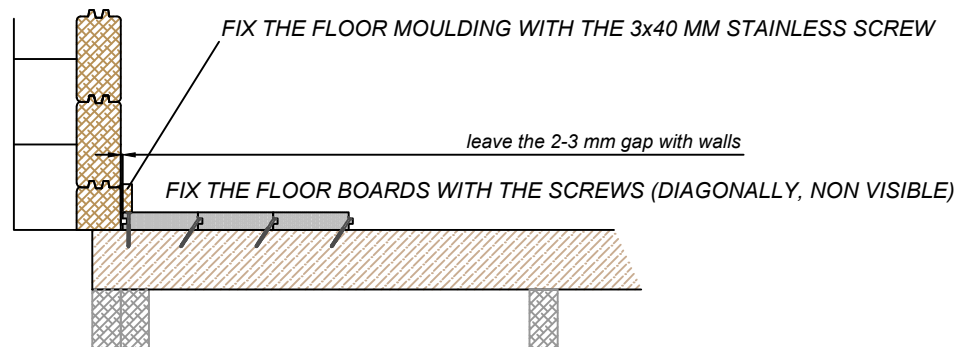
ADD THE WATER DRAINAGE GUTTER BEFORE INSTALLING THE FLOOR BOARDS



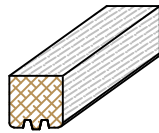
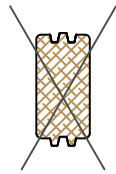
FLOOR BOARDS



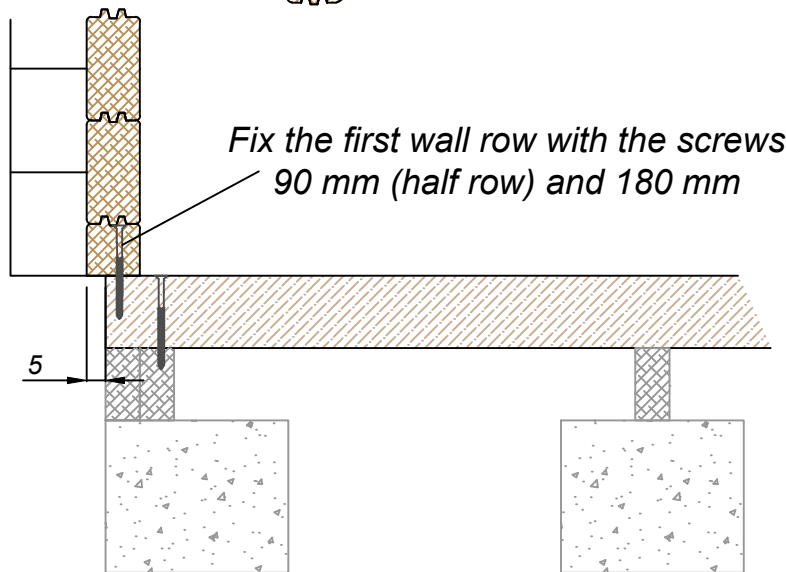
BEFORE THE FLOOR BOARD, INSTALL FLOOR SLOPE DETAILS
3 MM, 6 MM, 9 MM, 12 MM



FIRST ROW



Use rubber hammer and hammer block

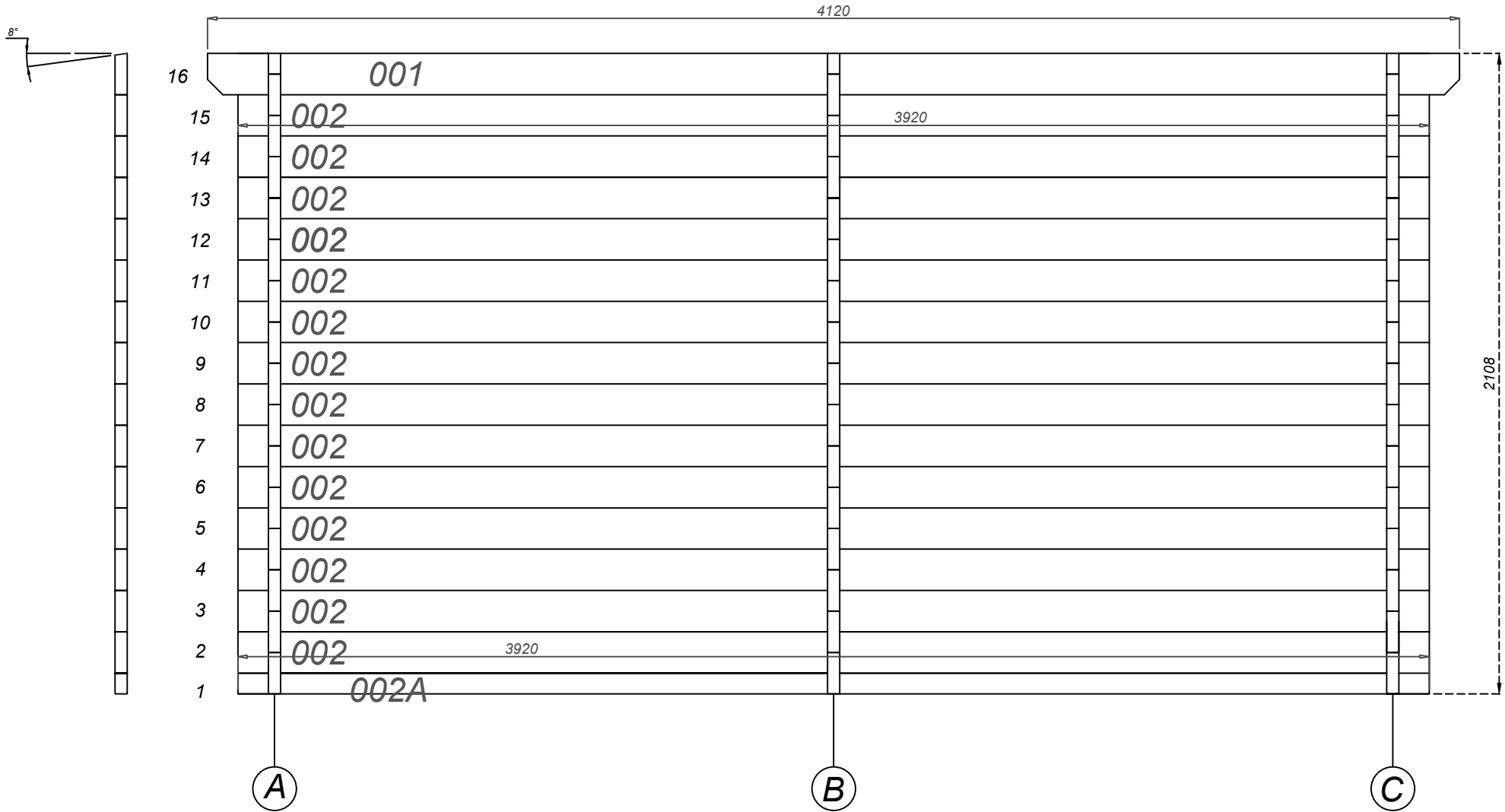


*Fix the first wall row with the screws
90 mm (half row) and 180 mm*

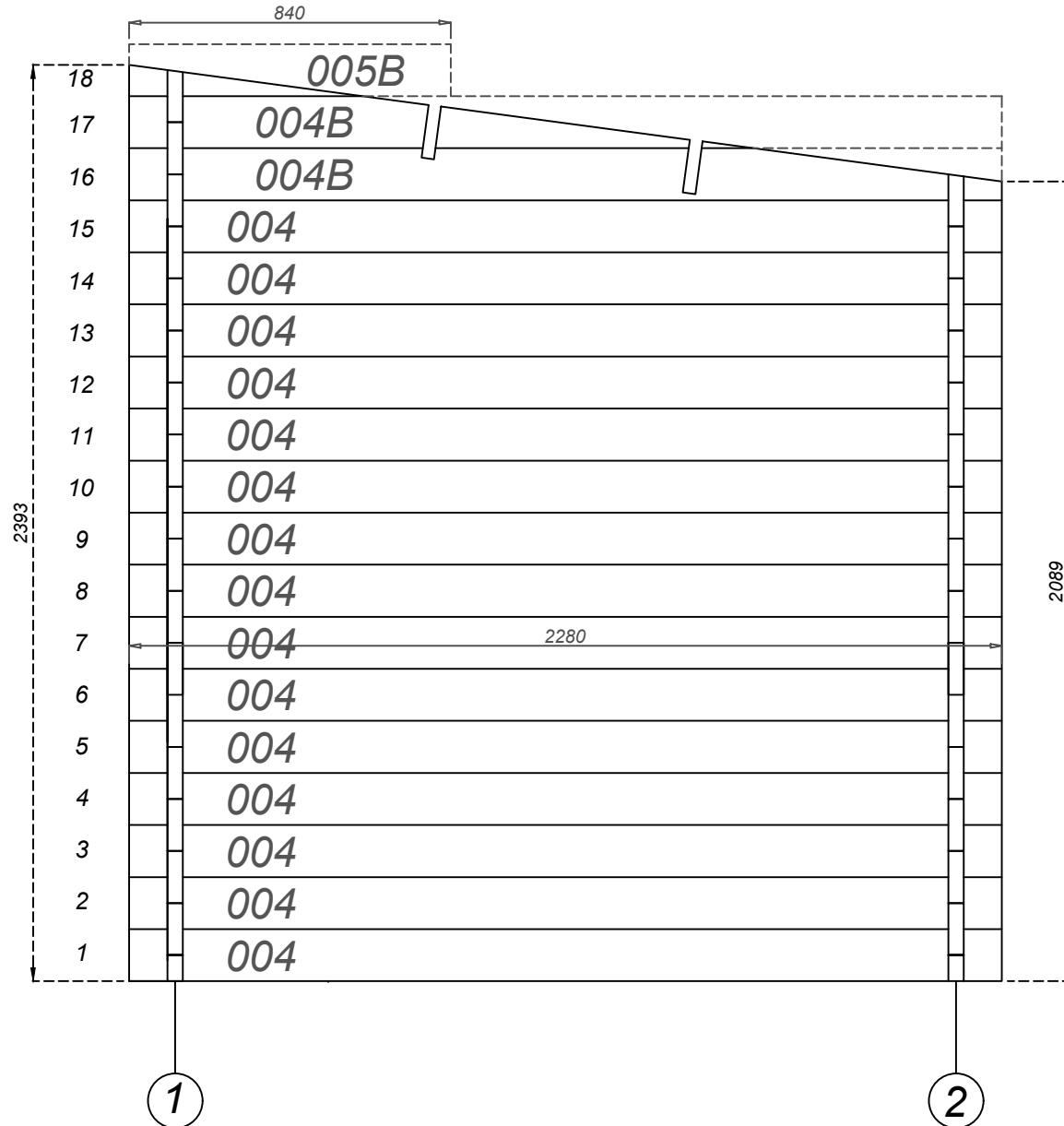
**IN EACH CONNECTION USE 90 MM STAINLESS SCREWS
(TO PROTECT THE BUILDING FOR WIND)**



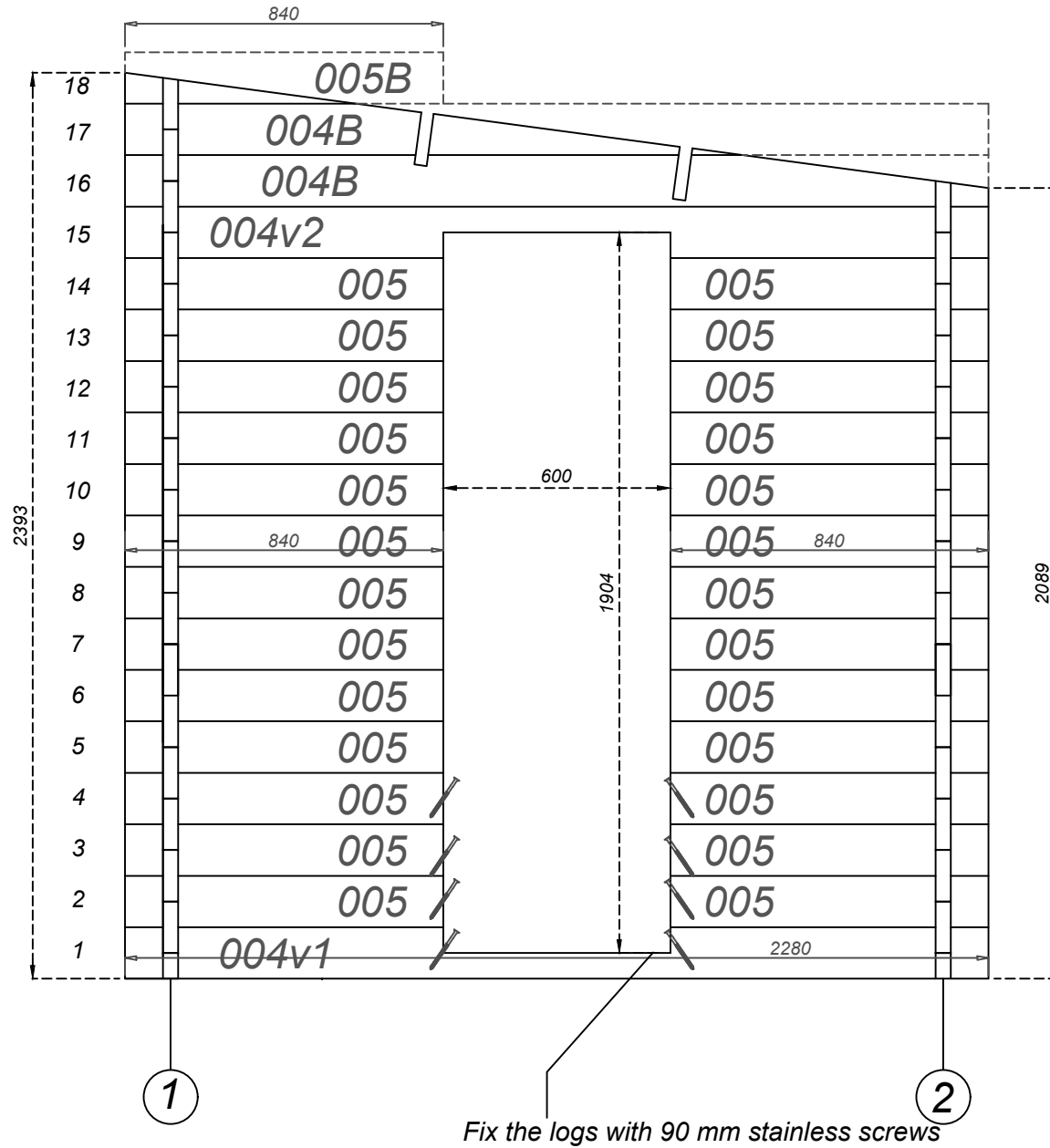
WALL 2



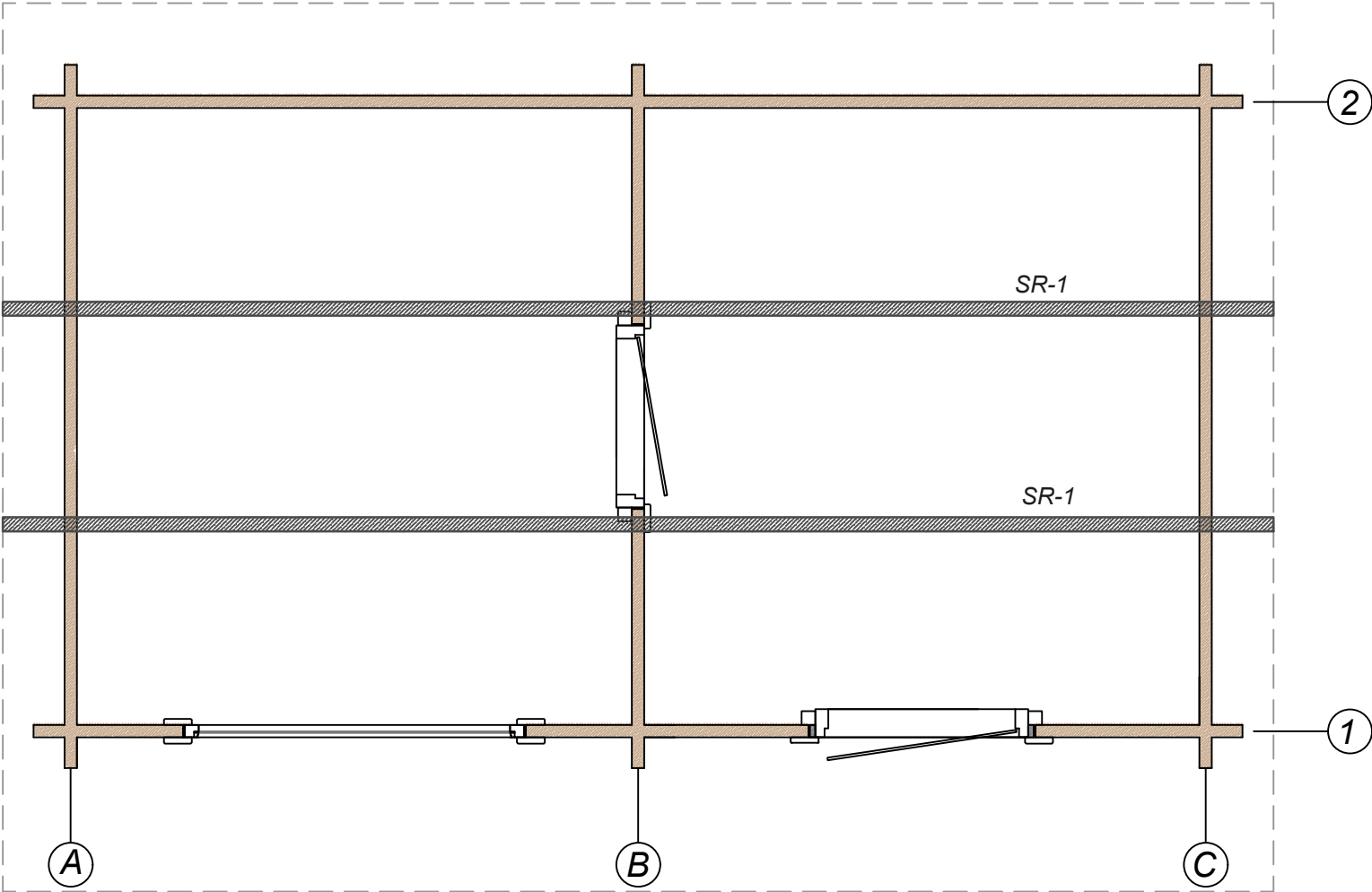
WALL A & C



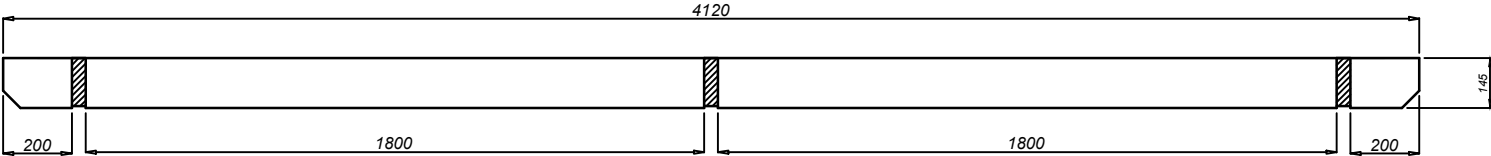
WALL B



ROOF RAFTERS POSITIONING

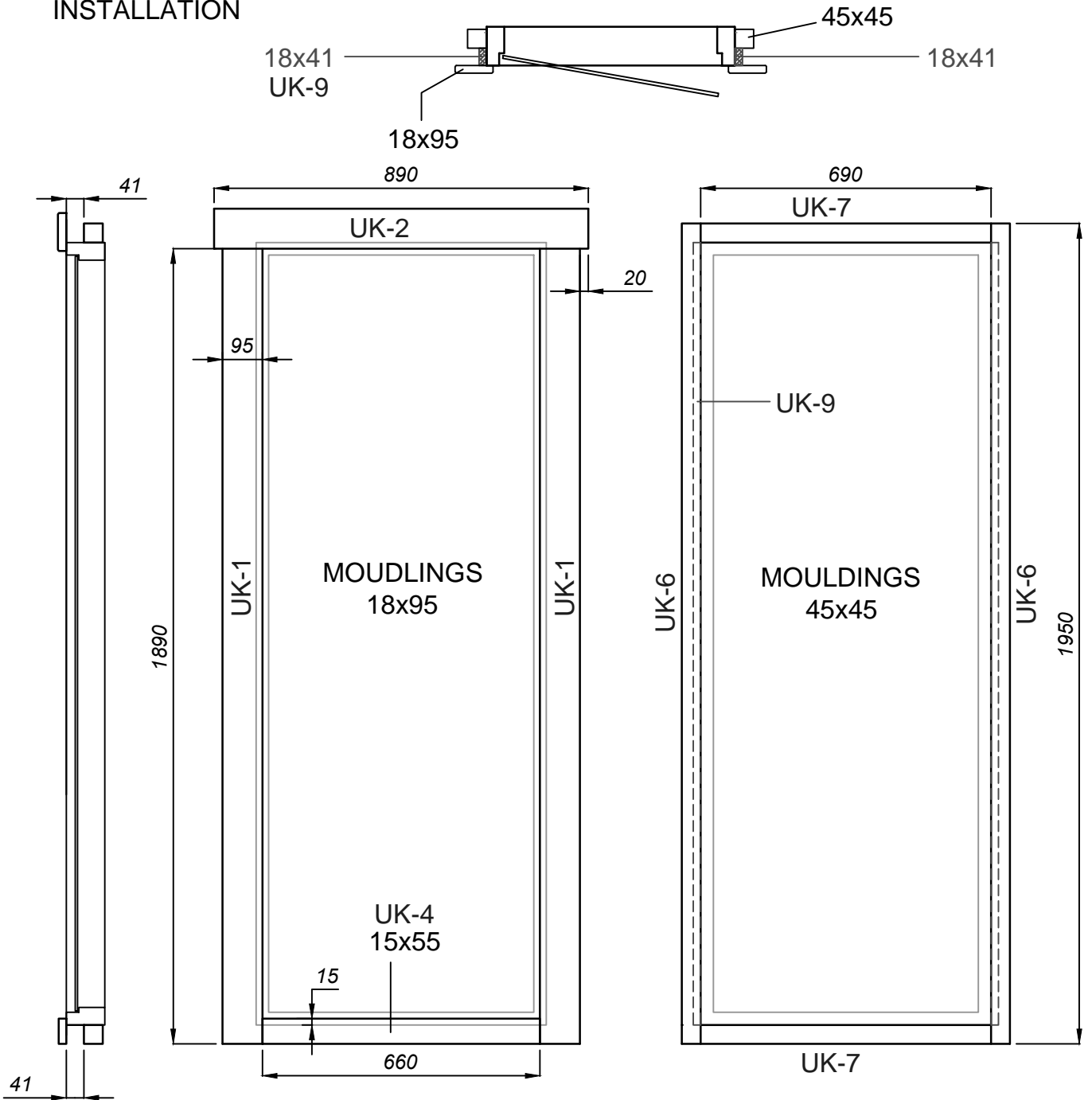


ROOF RAFTER SR-1
45x145 mm - 2 pcs



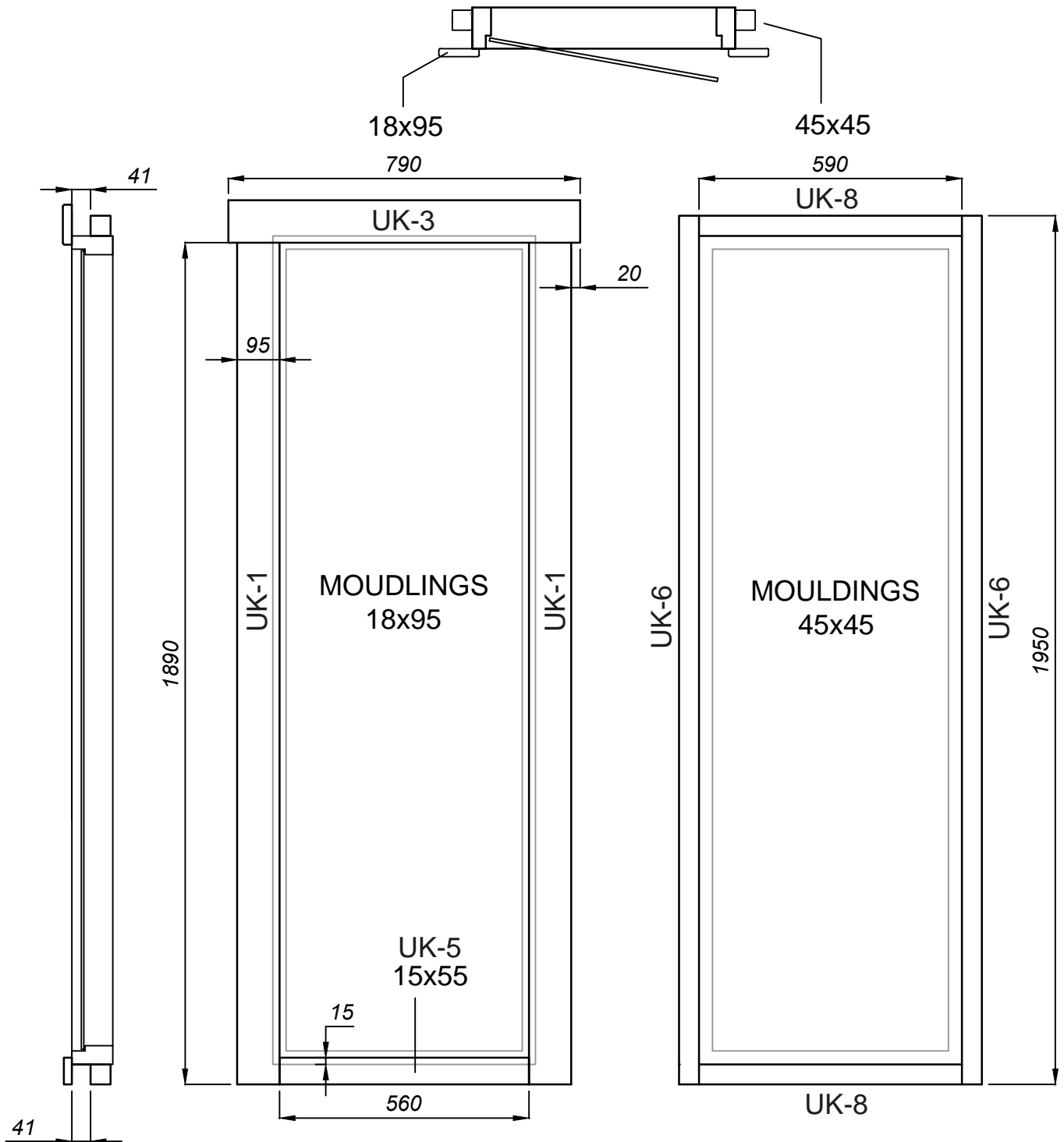
DOOR MOULDINGS (OUTSIDE DOOR)

UK-9 DETAILS FOR
BETTER MOULDING
INSTALLATION



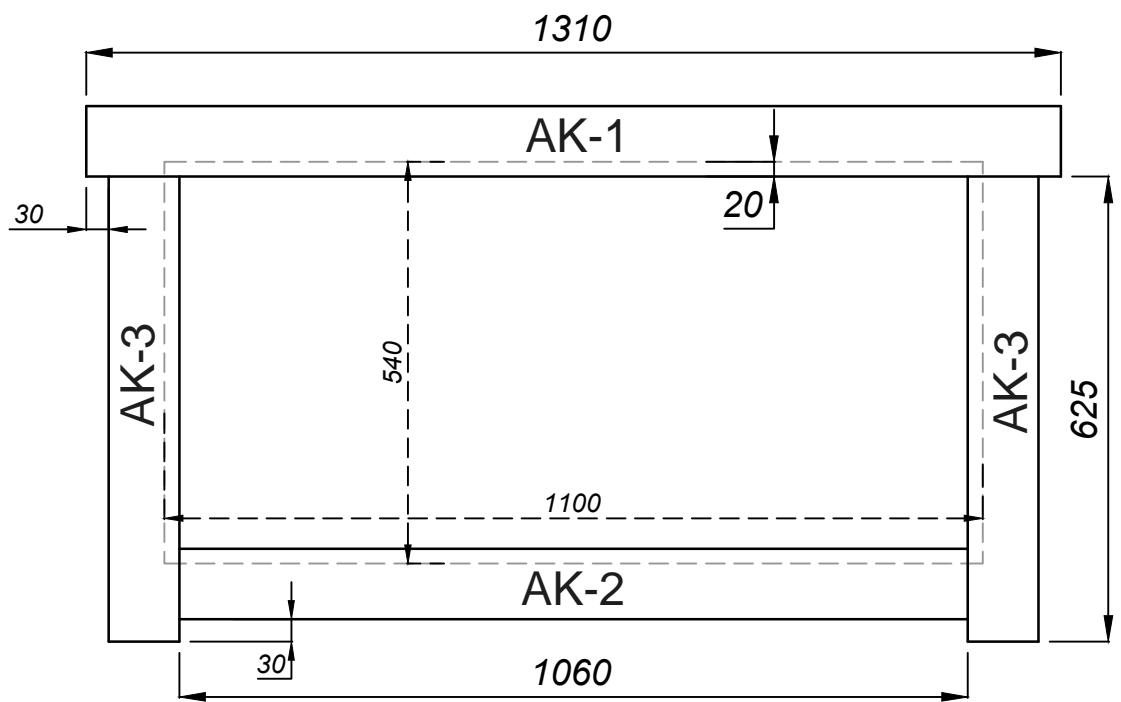
USE STAINLESS SCREWS 3x40 MM FOR FIXING THE MOULDINGS

DOOR MOULDINGS (GLASS DOOR)

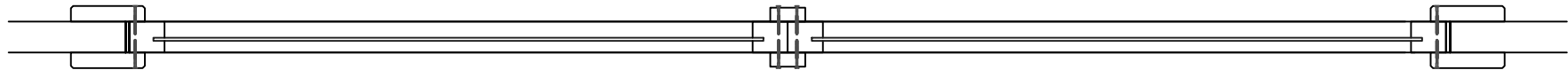


USE STAINLESS SCREWS 3x40 MM FOR FIXING THE MOULDINGS

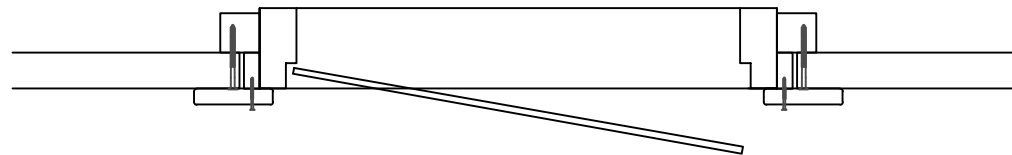
WINDOW MOULDINGS (18x95)

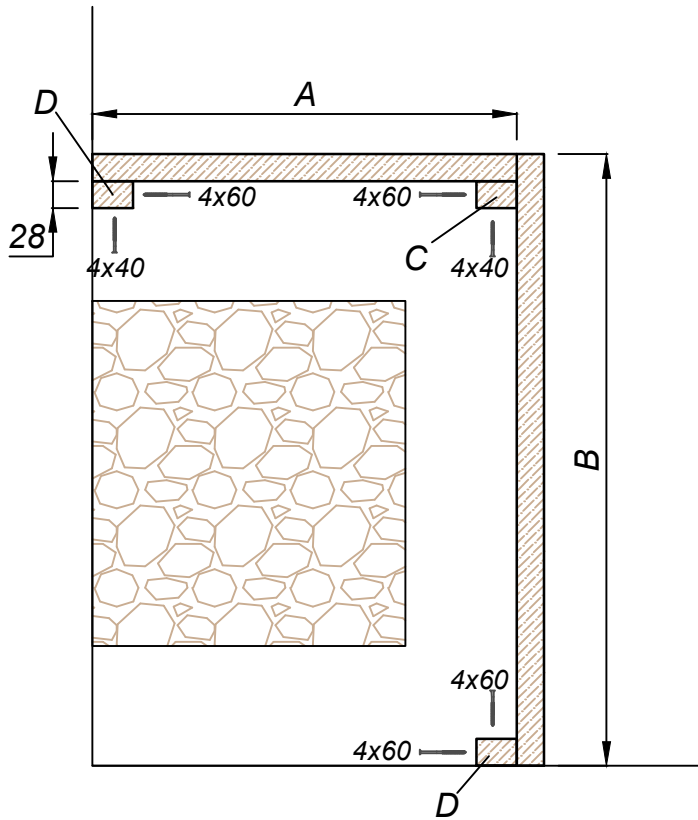


FIX THE WINDOWS TO THE WALL WITH THE MOULDINGS,
USING THE 40 MM STAINLESS SCREWS



FIX THE WINDOWS TO THE WALL WITH THE 55 MM STAINLESS SCREWS
FIX THE MOULDINGS USING THE 40 MM STAINLESS SCREWS





Heater guard DIY package includes:

Detail A: 28x88x640 - 2 pcs

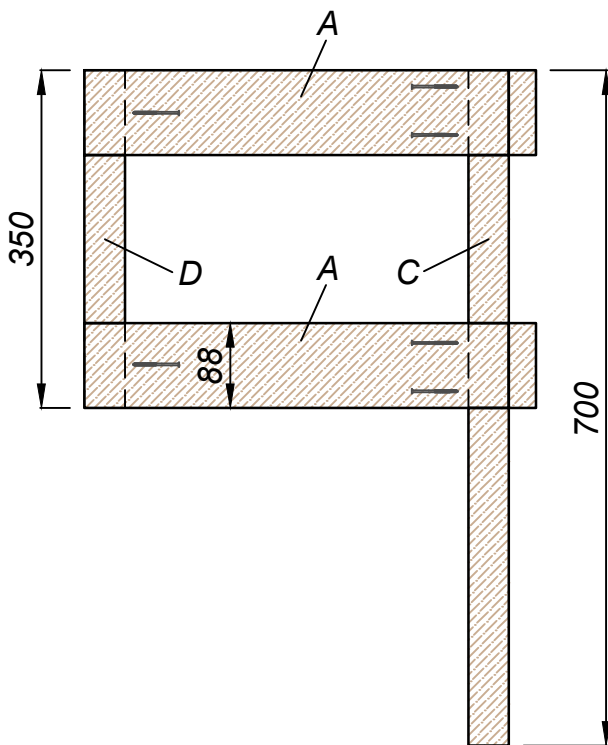
Detail B: 28x88x810 - 2 pcs

Detail C: 28x42x700 - 1 pcs

Detail D: 28x42x350 - 2 pcs

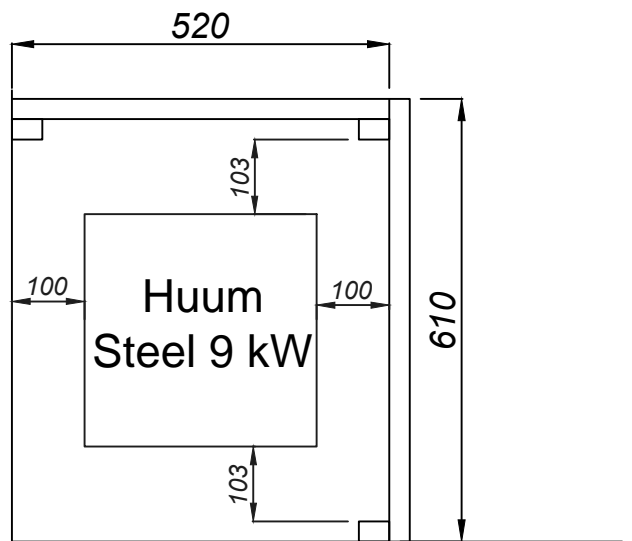
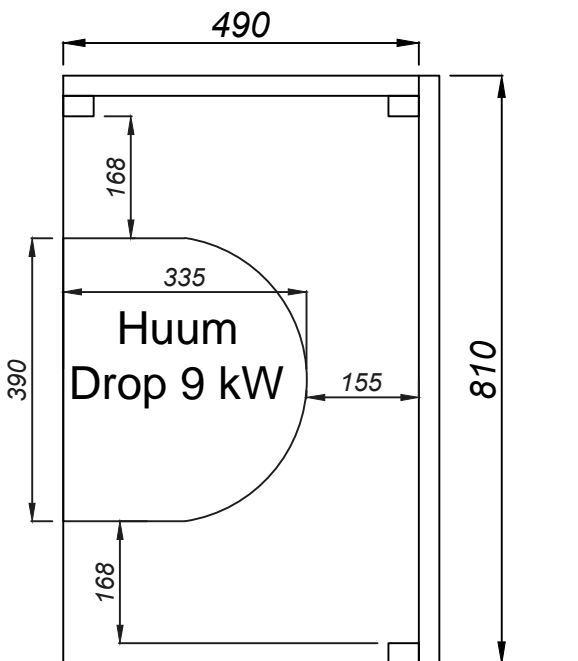
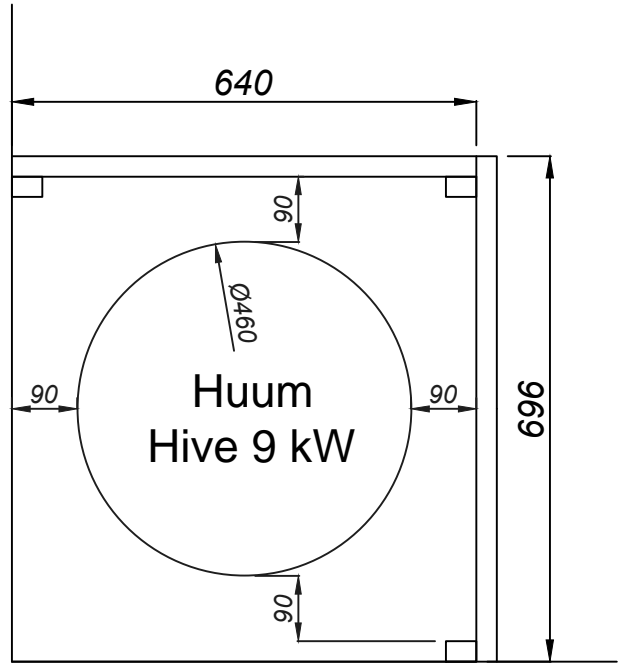
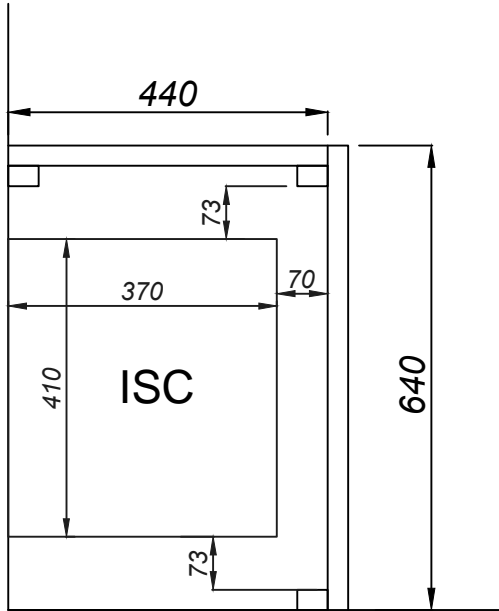
Screw 4x40 - 8 pcs

Screw 4x60 - 16 pcs

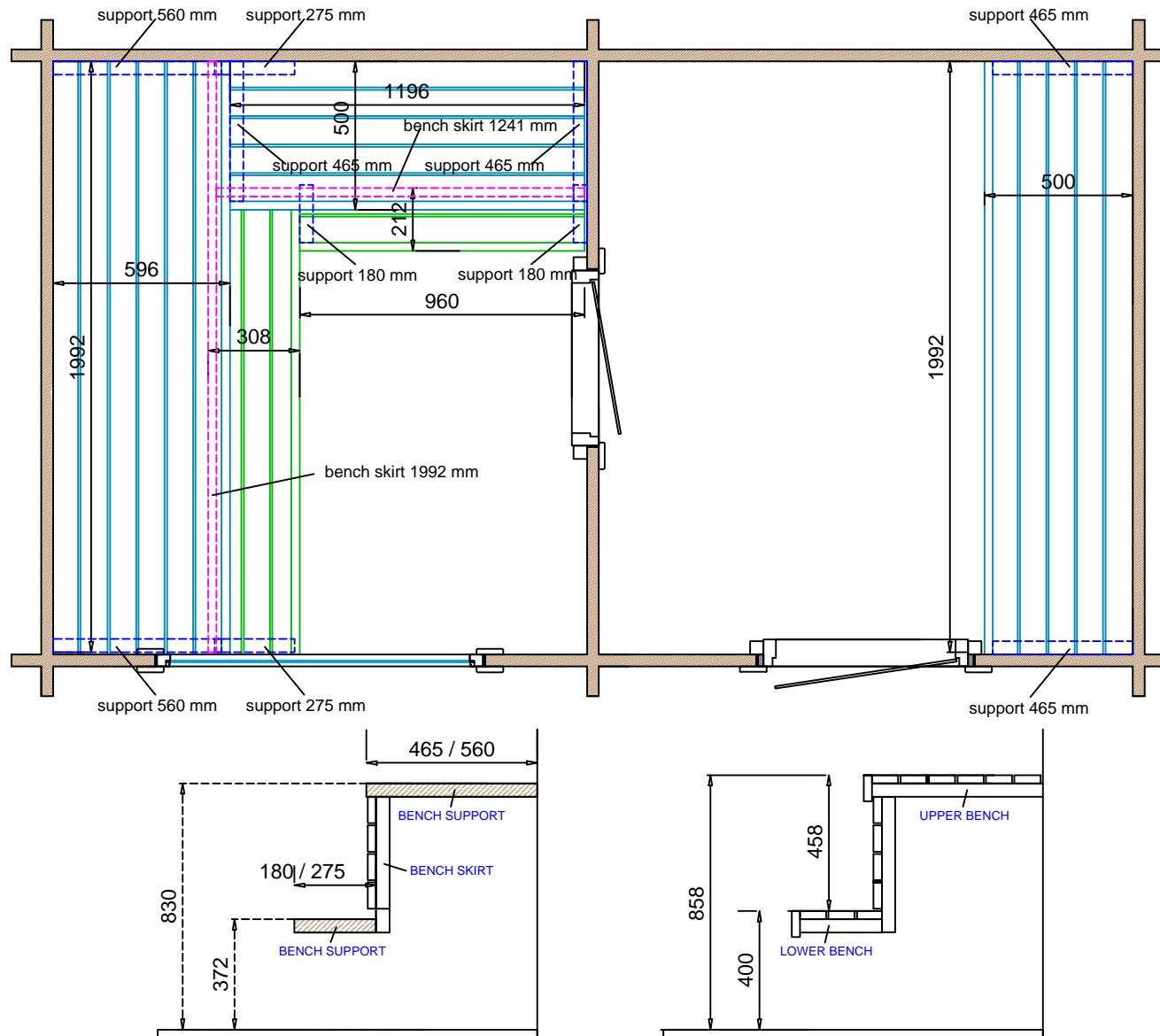


1. Cut the details "A" and "B" to correct measure
2. Fix the details to detail C & D with the screws (predrill the holes)
3. Fix the heater guard to the wall
4. **Be sure that safety distances are valid to the heater manual!**

Heater model	A (mm)	B (mm)
ISC 9 kW	440	640
Huum Drop 9 kW	490	810
Huum Hive 9 kW	640	696
Huum Steel 9 kW	520	610



BENCH SET



1. FIRST FIX THE BENCH SUPPORTS TO THE WALL
2. INSTALL THE BENCH SKIRTS TO THE WALL
3. THEN LIFT THE BENCHES ON TOP OF THEM
4. FIX THE BENCHES WITH THE 70 MM SCREWS TO THE WALLS AND SUPPORTS
5. USE VERTICAL SUPPORT TO SUPPORT THE BENCH FROM THE MIDDLE